

3D VIEW(REF)

16PIN INTERFACE(FRONT VIEW)

| | | | | | | | | | | | |
|-----|------|-------|-----|-----|------|------|----|----|-----|-----|-----|
| A1 | A2 | A3 | A4 | A5 | A6 | A7 | A8 | A9 | A10 | A11 | A12 |
| GND | VBUS | CCI | DP1 | DN1 | SBUI | VBUS | | | | | GND |
| GND | VBUS | SBUI2 | DN2 | DP2 | CC2 | VBUS | | | | | GND |
| B12 | B11 | B10 | B9 | B8 | B7 | B6 | B5 | B4 | B3 | B2 | B1 |

16PIN ASSIGNMENT

| | | | | | | | | | | | | |
|-------------|--------|-------|-------|-----|-----|-----|-----|-----|------|-----|-------|--------|
| PIN NO. | A1&B12 | A4&B9 | B8 | A5 | B7 | A6 | A7 | B6 | A8 | B5 | A9&B4 | A12&B1 |
| SIGNAL NAME | GND | VBUS | SBUI2 | CCI | DN2 | DP1 | DN1 | DP2 | SBUI | CC2 | VBUS | GND |
| PCB PAD NO. | C1 | C2 | C3 | C4 | C5 | C6 | C7 | C8 | C9 | C10 | C11 | C12 |

14PIN INTERFACE(FRONT VIEW)

| | | | | | | | | | | | |
|-----|------|-------|-----|-----|------|------|----|----|-----|-----|-----|
| A1 | A2 | A3 | A4 | A5 | A6 | A7 | A8 | A9 | A10 | A11 | A12 |
| GND | VBUS | CCI | DP1 | DN1 | VBUS | | | | | | GND |
| GND | VBUS | SBUI2 | DN2 | DP2 | CC2 | VBUS | | | | | GND |
| B12 | B11 | B10 | B9 | B8 | B7 | B6 | B5 | B4 | B3 | B2 | B1 |

14PIN ASSIGNMENT

| | | | | | | | | | | | | |
|-------------|--------|-------|-------|-----|-----|-----|-----|-----|------|-----|-------|--------|
| PIN NO. | A1&B12 | A4&B9 | B8 | A5 | B7 | A6 | A7 | B6 | A8 | B5 | A9&B4 | A12&B1 |
| SIGNAL NAME | GND | VBUS | SBUI2 | CCI | DN2 | DP1 | DN1 | DP2 | SBUI | CC2 | VBUS | GND |
| PCB PAD NO. | C1 | C2 | C3 | C4 | C5 | C6 | C7 | C8 | C9 | C10 | C11 | C12 |

12PIN INTERFACE(FRONT VIEW)

| | | | | | | | | | | | |
|-----|------|-------|-----|-----|------|------|----|----|-----|-----|-----|
| A1 | A2 | A3 | A4 | A5 | A6 | A7 | A8 | A9 | A10 | A11 | A12 |
| GND | VBUS | CCI | DP1 | DN1 | SBUI | VBUS | | | | | GND |
| GND | VBUS | SBUI2 | DN2 | DP2 | CC2 | VBUS | | | | | GND |
| B12 | B11 | B10 | B9 | B8 | B7 | B6 | B5 | B4 | B3 | B2 | B1 |

12PIN PIN ASSIGNMENT

| | | | | | | | | | | | | |
|-------------|-----|------|-------|-----|-----|-----|-----|-----|------|-----|------|-----|
| PIN NO. | A1 | B9 | B8 | A5 | B7 | A6 | A7 | B6 | A8 | B5 | A9 | B1 |
| SIGNAL NAME | GND | VBUS | SBUI2 | CCI | DN2 | DP1 | DN1 | DP2 | SBUI | CC2 | VBUS | GND |
| PCB PAD NO. | C1 | C2 | C3 | C4 | C5 | C6 | C7 | C8 | C9 | C10 | C11 | C12 |

6PIN INTERFACE(FRONT VIEW)

| | | | | | | | | | | | |
|-----|------|-------|-----|-----|------|------|----|----|-----|-----|-----|
| A1 | A2 | A3 | A4 | A5 | A6 | A7 | A8 | A9 | A10 | A11 | A12 |
| GND | VBUS | CCI | DP1 | DN1 | SBUI | VBUS | | | | | GND |
| GND | VBUS | SBUI2 | DN2 | DP2 | CC2 | VBUS | | | | | GND |
| B12 | B11 | B10 | B9 | B8 | B7 | B6 | B5 | B4 | B3 | B2 | B1 |

6PIN PIN ASSIGNMENT

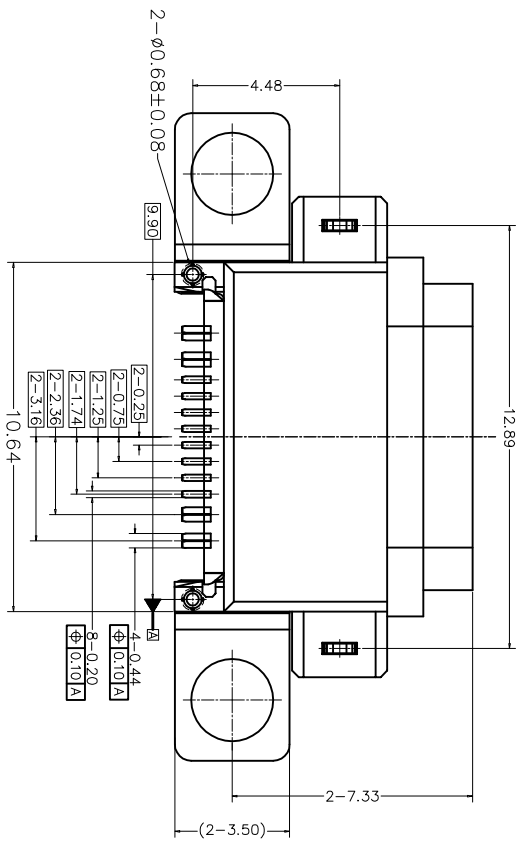
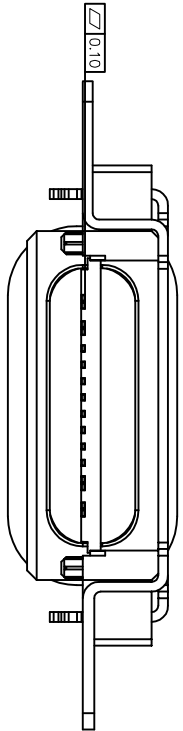
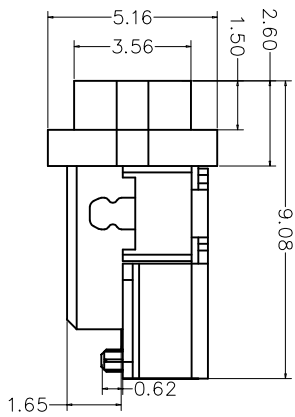
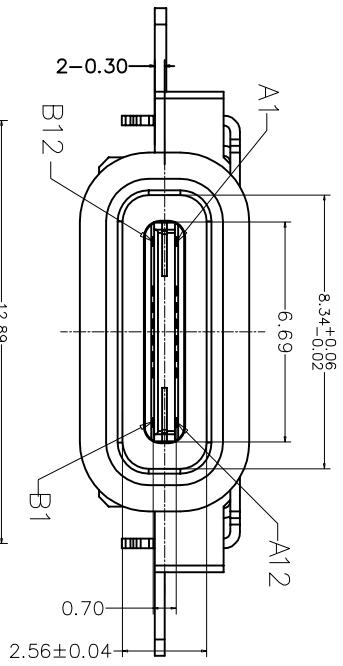
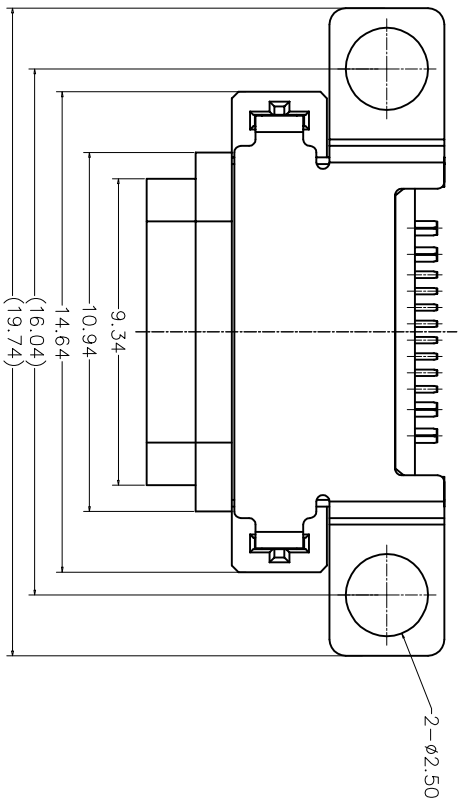
| | | | | | | | | | | | | |
|-------------|--------|-------|-------|-----|-----|-----|-----|-----|------|-----|-------|--------|
| PIN NO. | A1&B12 | A4&B9 | B8 | A5 | B7 | A6 | A7 | B6 | A8 | B5 | A9&B4 | A12&B1 |
| SIGNAL NAME | GND | VBUS | SBUI2 | CCI | DN2 | DP1 | DN1 | DP2 | SBUI | CC2 | VBUS | GND |
| PCB PAD NO. | C1 | C2 | C3 | C4 | C5 | C6 | C7 | C8 | C9 | C10 | C11 | C12 |

- MAIN SPECIFICATION:
- VOLTAGE/CURRENT RATING: 5V/3.0 A
电流: 5V/3.0 A
 - DIELECTRIC WITHSTAND VOLTAGE: 100VAC
耐电压: 110V MAX
 - TEMPERATURE RANGE: -30 °C ~ 85 °C
使用温度: -30 °C ~ 85 °C
 - CONTACT RESISTANCE: 40 MILLIONHM MAX
电阻: 40 MILLIONHM MAX
 - INSULATION RESISTANCE: 100 MEGOHMS MIN.
绝缘阻抗: 100 MEGOHMS MIN.
 - INITIAL INSERTION FORCE 5-20N, EXACTION FORCE: 8-20N
初始插入力: 5-20N; 初始拔出力: 8-20N.
 - AFTER DURABILITY(10000CYCLES) INSERTION FORCE 5-20N
EXACTION FORCE: 6-20N
寿命后(10000次)插入力: 5-20N; 拔出力: 6-20N.
 - WATERPROOF GRADE: IPX7
防水等级: IPX7.

| | | | | |
|---|-------------------------------|--|---|--|
| 4 | PUB050-0611-C03-1H (6PIN) | OUTER SHELL T1 OVER MOLDING4 | 1 | SUS304 PLATED SOLDERABLE NICKEL |
| 3 | PUB050-1211-C03-1H (12PIN) | OUTER SHELL T1 OVER MOLDING3 HOUSING | 1 | SUS304 PLATED SOLDERABLE NICKEL NYLON PLASTIC |
| 2 | PUB050-1411-C03-1H (14PIN) | OUTER SHELL T1 OVER MOLDING2 HOUSING | 1 | SUS304 PLATED SOLDERABLE NICKEL NYLON PLASTIC |
| 1 | PUB050-1611-C03-1H (16PIN) | OUTER SHELL T1 OVER MOLDING1 HOUSING | 1 | SUS304 PLATED SOLDERABLE NICKEL NYLON PLASTIC |

| | | | |
|-----------|--------|------------------------------|--------|
| X±0.25 | X°± | Customer P/N: 1 | 浙江金佳电子 |
| X±0.20 | X°±5° | Customer REV.: 1 | |
| XX±0.15 | XX°±3° | PART NO.: PUB050-11C03-1H | 浙江金佳电子 |
| .XXX±0.08 | .XXX°± | APPD: Bradley Liu 09/22/2020 | 浙江金佳电子 |
| UNITS: mm | | CHKD: 1 | 浙江金佳电子 |
| | | DRAW: Bradley Liu 09/22/2020 | 浙江金佳电子 |

| | | | |
|--|--|--------|--|
| THESE DRAWINGS AND SPECIFICATIONS ARE THE PROPERTY OF LUXSHARE-ICT AND SHALL NOT BE REPRODUCED, COPIED OR QUED IN ANY MANNER WITHOUT THE PRIOR WRITTEN CONSENT OF LUXSHARE-ICT | | 浙江金佳电子 | |
| TITLE: WITH SHELL T2, TYPE C 16 PIN CONN(W/P) | | 浙江金佳电子 | |
| DWG NO: 1070-0002-0000 | | 浙江金佳电子 | |
| SCALE: 1:1 | | 浙江金佳电子 | |
| SHEET: 1/4 | | 浙江金佳电子 | |
| REV: X3 | | 浙江金佳电子 | |



| | |
|-----------|---------|
| X±0.25 | X°± |
| X±0.20 | X°±5° |
| .XX±0.15 | .XX°±3° |
| .XXX±0.08 | .XXX°± |
| UNITS: | mm |

THESE DRAWINGS AND SPECIFICATIONS ARE THE PROPERTY OF LUXSHARE-ICT AND SHALL NOT BE REPRODUCED, COPIED OR CUED IN ANY MANNER WITHOUT THE PRIOR WRITTEN CONSENT OF LUXSHARE-ICT

Customer P/N: \\
Customer REV.: \\
PART NO.: PUB050-**11C03-1H

APPD: Bradley Liu 09/22/2020

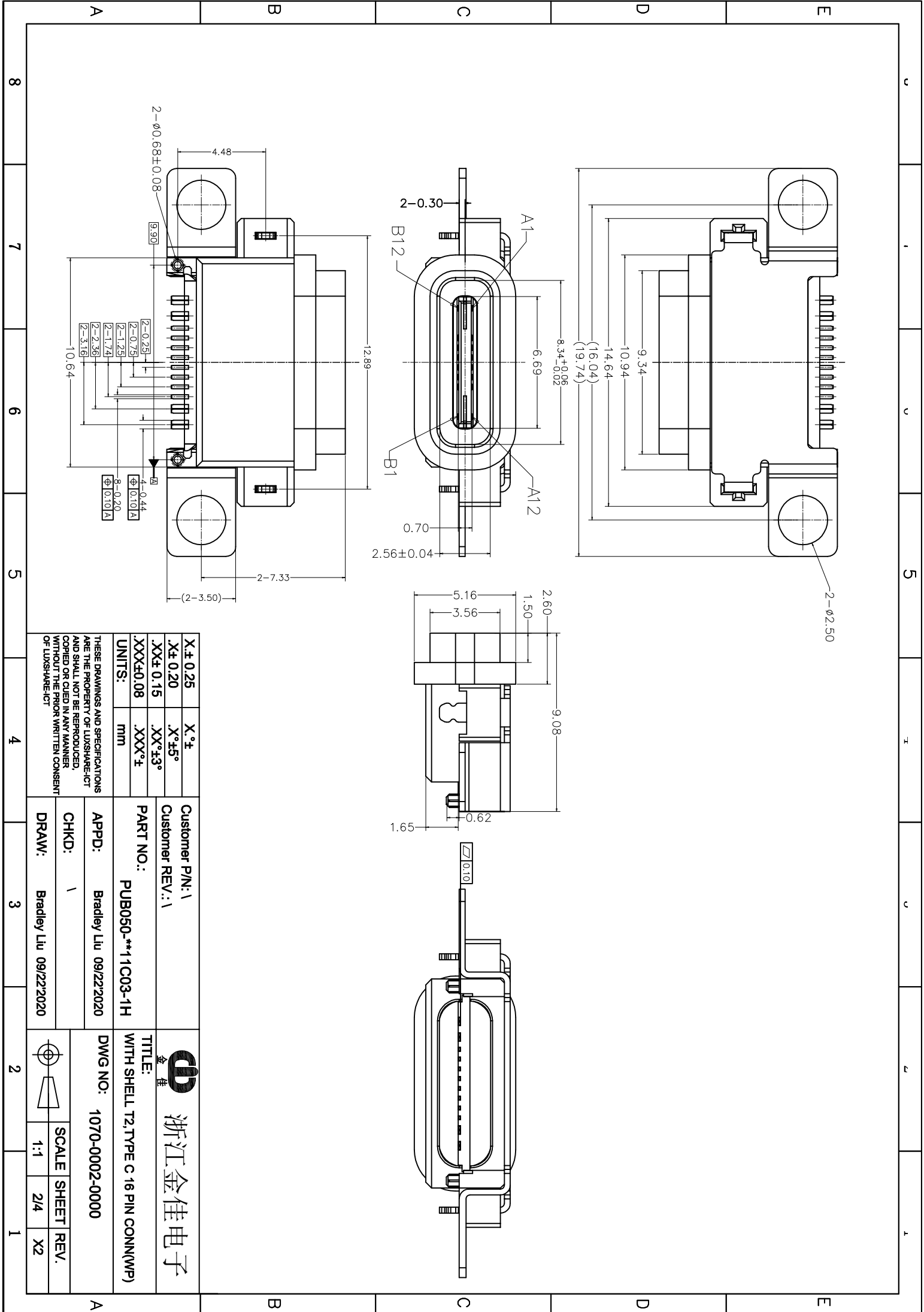
CHKD: \\
DRAW: Bradley Liu 09/22/2020

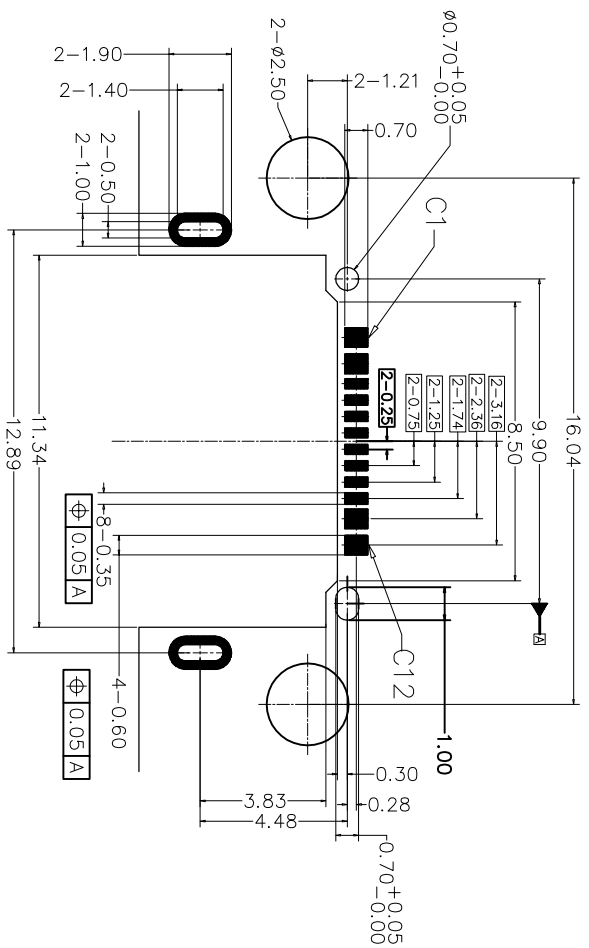
浙江金佳电子

TITLE: WITH SHELL T2 TYPE C 16 PIN CONN(W/P)

DWG NO: 1070-0002-0000

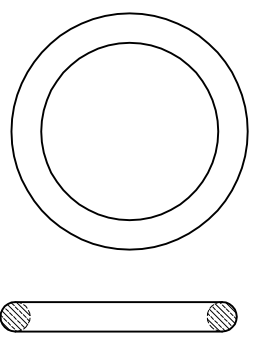
| | | |
|-------|-------|------|
| SCALE | SHEET | REV. |
| 1:1 | 2/4 | X2 |



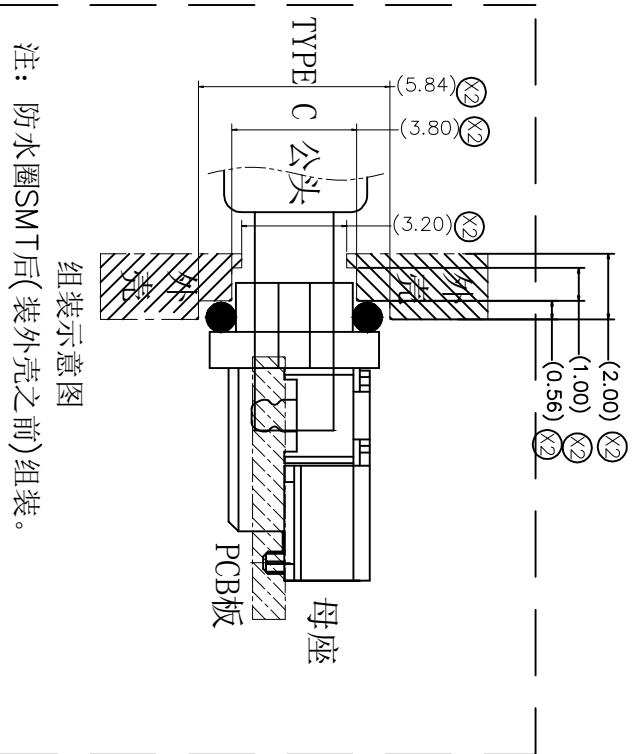


RECOMMENDED PCB LAYOUT(TOP VIEW)

THICKNESS T=1.0mm
 DEFAULT TOLERANCE+/-0.05



注：防水圈是圆形截面，直径为0.9mm的硅胶圈，防水圈挤压力，建议0.9mm挤压力到0.4mm ~ 0.5mm，防水效果良好，此零件为单独出货，非组装到成品上。



注：防水圈SMT后(装外壳之前)组装。

| | |
|---------|--------|
| X±0.25 | X°± |
| XX±0.20 | XX°±5° |
| XX±0.15 | XX°±3° |
| XX±0.15 | XXX°± |
| UNITS: | mm |

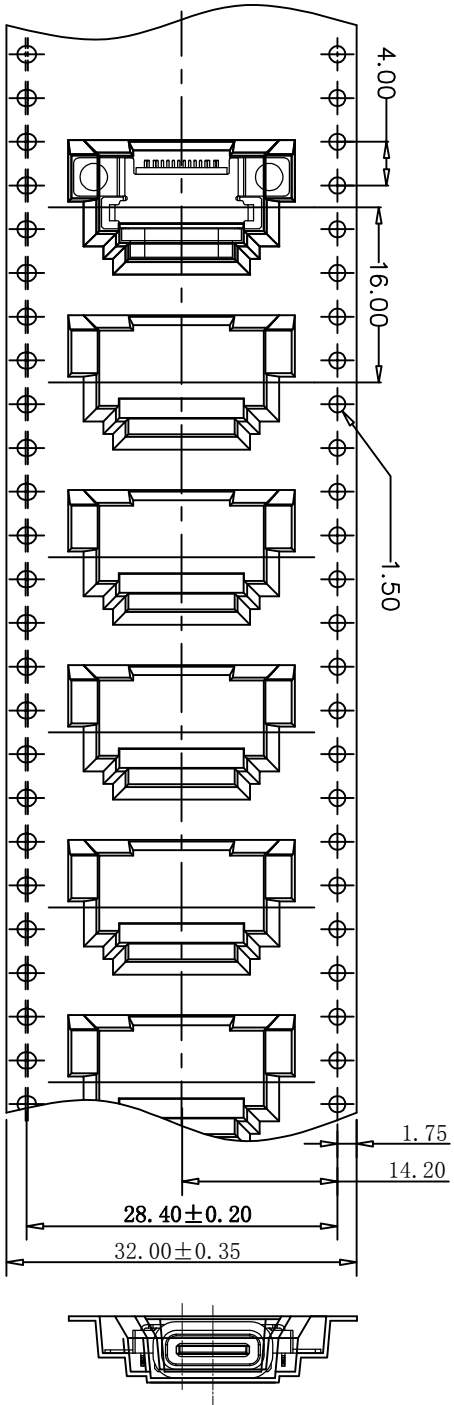
Customer P/N: \\
 Customer REV.: \\
 PART NO.: PUB050-**11C03-1H

浙江金佳电子
 TITLE: WITH SHELL T2; TYPE C 16 PIN CONN(W/P)
 DWG NO: 1070-0002-0000

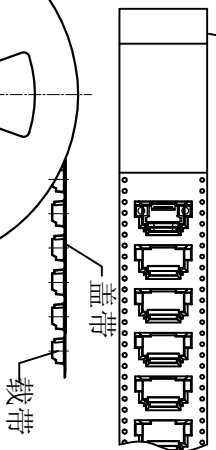
THESE DRAWINGS AND SPECIFICATIONS ARE THE PROPERTY OF LUXSHARE-ICT AND SHALL NOT BE REPRODUCED, COPIED OR CUEID IN ANY MANNER WITHOUT THE PRIOR WRITTEN CONSENT OF LUXSHARE-ICT

APPD: Bradley Liu 09/22/2020
 CHKD: \\
 DRAW: Bradley Liu 09/22/2020

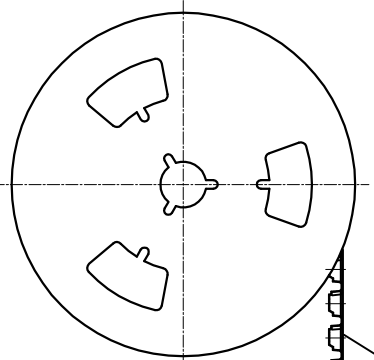
SCALE SHEET REV. 1:1 3/4 X3



卷装轮盘 参考放料方向



卷装示意图仅供参考



说明:

1. 10个边孔的累计公差不能超过 $\pm 0.3\text{mm}$.
2. 材料规格: PS 透明
3. 13英寸卷轮卷装,
4. 13吋卷轮包装零件总颗数:720颗, (前段空包颗数:10颗, 实际包装零件颗数:700颗, 后段空包颗数:10颗).

| | |
|-----------------|-----------------------------|
| $X \pm 0.25$ | $X^{\circ} \pm$ |
| $X \pm 0.20$ | $X^{\circ} \pm 5^{\circ}$ |
| $.XX \pm 0.15$ | $.XX^{\circ} \pm 3^{\circ}$ |
| $.XXX \pm 0.08$ | $.XXX^{\circ} \pm$ |
| UNITS: | mm |

THESE DRAWINGS AND SPECIFICATIONS ARE THE PROPERTY OF LUXSHARE-ICT AND SHALL NOT BE REPRODUCED, COPIED OR CUEID IN ANY MANNER WITHOUT THE PRIOR WRITTEN CONSENT OF LUXSHARE-ICT



浙江金佳电子

TITLE: WITH SHELL T2, TYPE C 16 PIN CONN(W/P)
金属壳T2型, TYPE C 16 PIN CONN (W/P)

DWG NO: 1070-0002-0000

Customer P/N: \ Customer REV.: \
PART NO.: PUB050-**-11-C03-1H
APPD: Bradley Liu 09/22/20
CHKD: \
DRAW: Bradley Liu 09/22/20

| | | |
|-------|-------|------|
| SCALE | SHEET | REV. |
| 1:1 | 6/6 | X3 |

| | | | | | | | |
|---|---|---|---|---|---|---|---|
| 8 | 7 | 6 | 5 | 4 | 3 | 2 | 1 |
| A | B | C | D | E | F | G | H |