

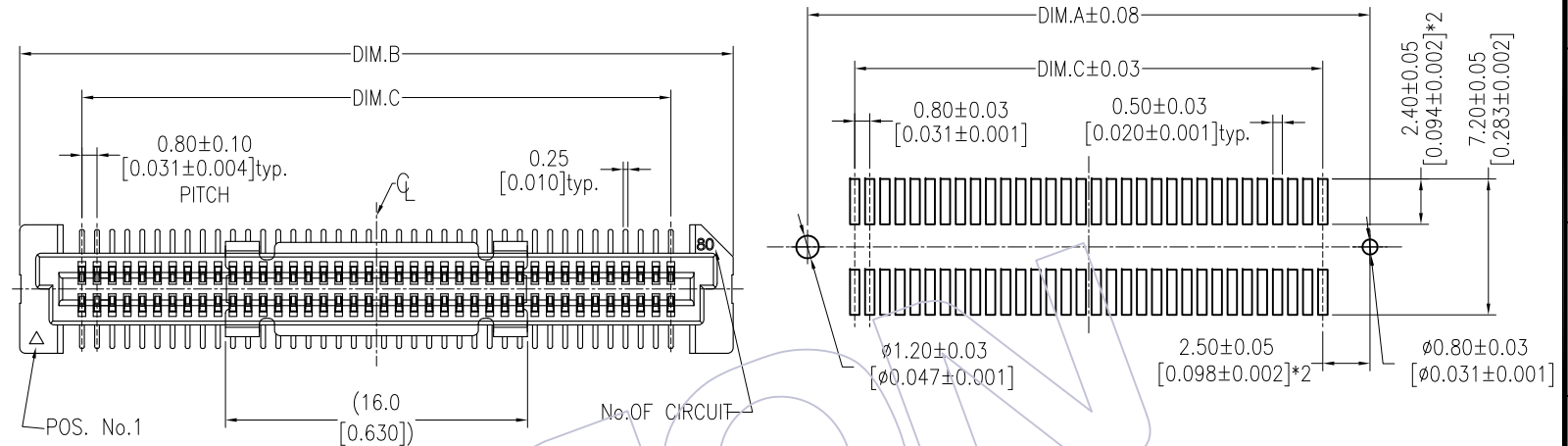
HSF

NOTES:
 Current Rating:0.5AMP
 Contact Resistance:30mΩ max
 Withstand Voltage:100V AC/DC
 Insulation Resistance:500MΩ min
 Operation Temperature:-40°C to +125°C

Contact Material:Phosphor Bronze
 Cap Material:SUS,t=0.25mm
 Housing Material:LCP(UL94V-0),Nature
 Contact plating:Au and Tin over Ni

Flatness: <80Pins The "M" Is 0.12mm MAX
 ≥80Pins The "M" Is 0.15mm MAX

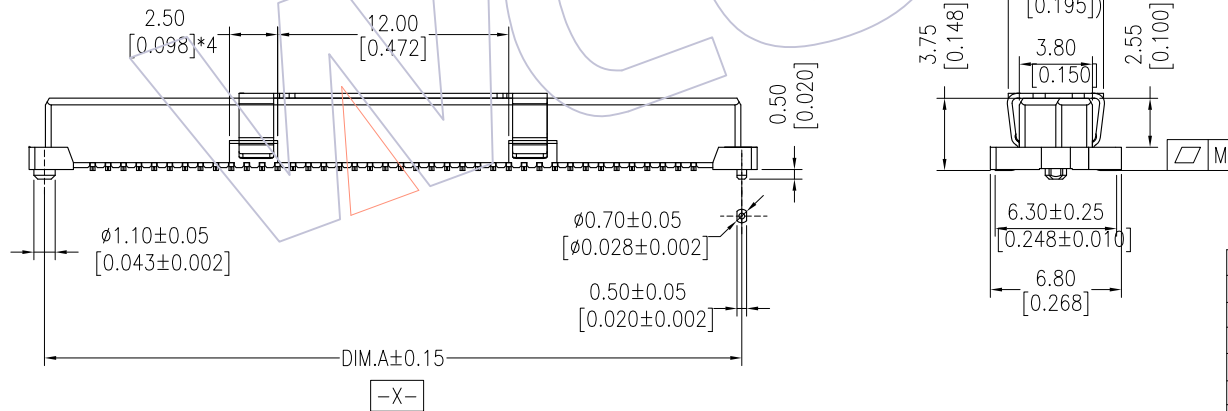
Recommended P.C.B Layout (Top Side)
 (PCB BOARD TOLERANCE ± 0.05)



Ordering Information

3616-S XXX -037 XX R 01

No.of Pins Housing High Contact Plating R=Tape&Reel+CAP
 S1=3u"Gold/Tin
 S3=10u"Gold/Tin



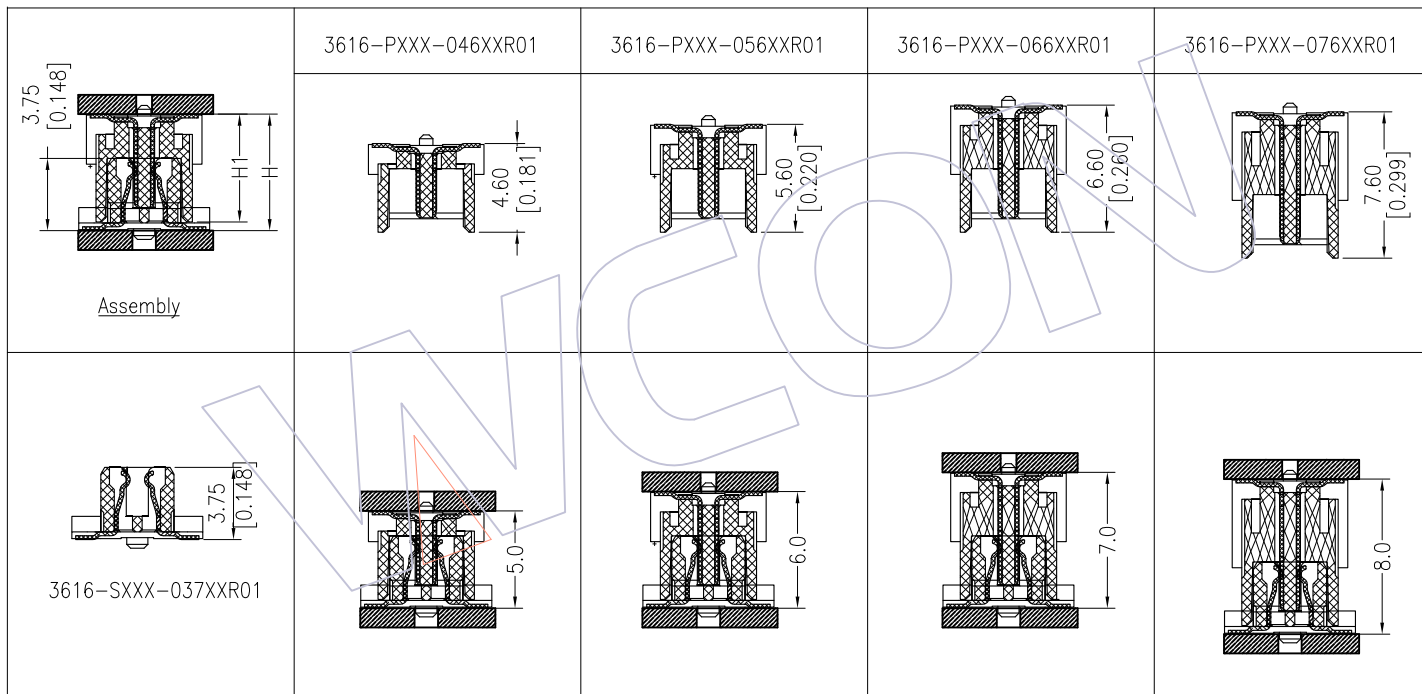
79.20	85.80	84.20	200
71.20	77.80	76.20	180
63.20	69.80	68.20	160
55.20	61.80	60.20	140
47.20	53.80	52.20	120
39.20	45.80	44.20	100
31.20	37.80	36.20	80
23.20	29.80	28.20	60
15.20	21.80	20.20	40
DIM.C	DIM.B	DIM.A	PIN NO.



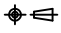
REV	DATE	MODIFICATION DESCRIPTION	CHANGE	OPERATION		DRAW	DATE	SCALE	FIT	PART NO.
				X.X	±0.40					
A1	2014/11/07	Modify	△	X.XX	±0.25	Allen	2014/11/07	UNIT	mm	3616-SXXX-037XXR01
A0	2014/06/24	NEW	—	X.XXX	±0.15	CHECK	DATE	SIZE	A4	
				Angle	± 3'	APPROVE	DATE	SHEET	1/2	TITLE: 0.80mm B TO B Female H=3.75 "T" TYPE SMT
				DIM	TOL			PROJ.	Customer NO.	

WCON
 Http: www.wcon.com

WCON-Dongguan WCON-Kunshan
 Tel: +86 769 85358920 Tel: +86 512 57468408
 Fax: +86 769 85358915 Fax: +86 512 57468468
 E-mail: sales@wcon.com E-mail: salesks@wcon.com

HSF



				OPERATION	DRAW	DATE	SCALE	FIT	PART NO.	 Http: www.wcon.com WCON-Dongguan Tel: +86 769 85358920 WCON-Kunshan Tel: +86 512 57468408 Fax: +86 769 85358915 Fax: +86 512 57468468 E-mail: sales@wcon.com E-mail: salesks@wcon.com
				X.X ±0.40	Allen	2014/11/07	UNIT	mm	TITLE: 0.80mm B TO B Female H=3.75 "T" TYPE SMT	
A1	2014/11/07	Modify		X.XX ±0.25	CHECK	DATE	SIZE	A4		
A0	2014/06/24	NEW	—	X.XXX ±0.15	APPROVE	DATE	SHEET	2/2		
REV	DATE	MODIFICATION DESCRIPTION	CHANGE	Angle ± 3'	DIM	TOL	PROJ.		Customer NO.	