

1 2 3 4 5 6 7 8

A

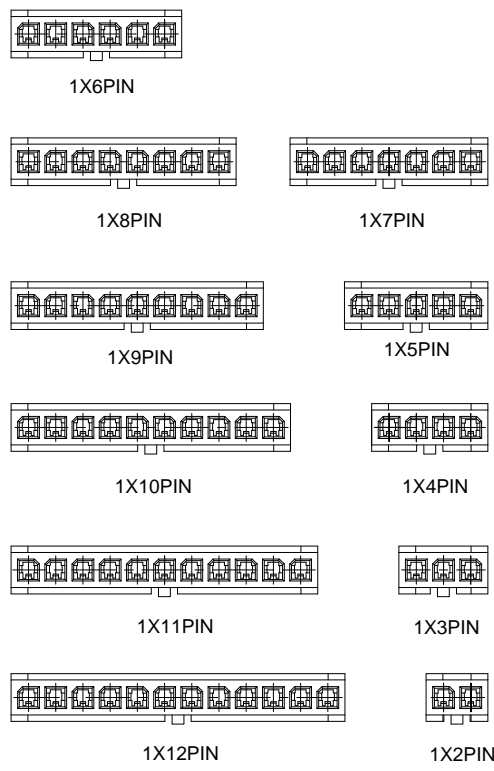
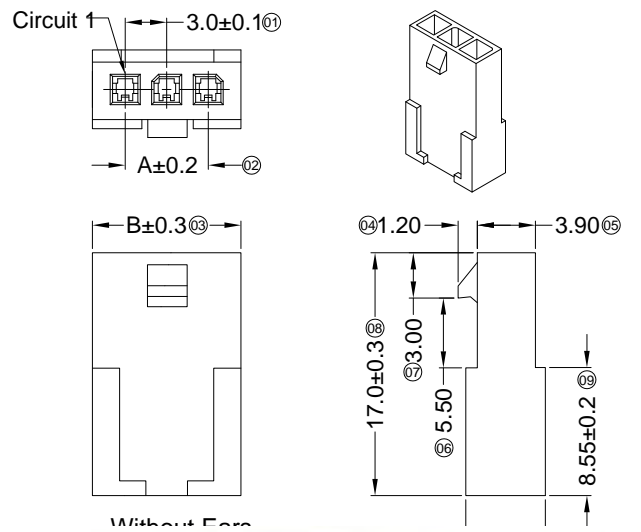
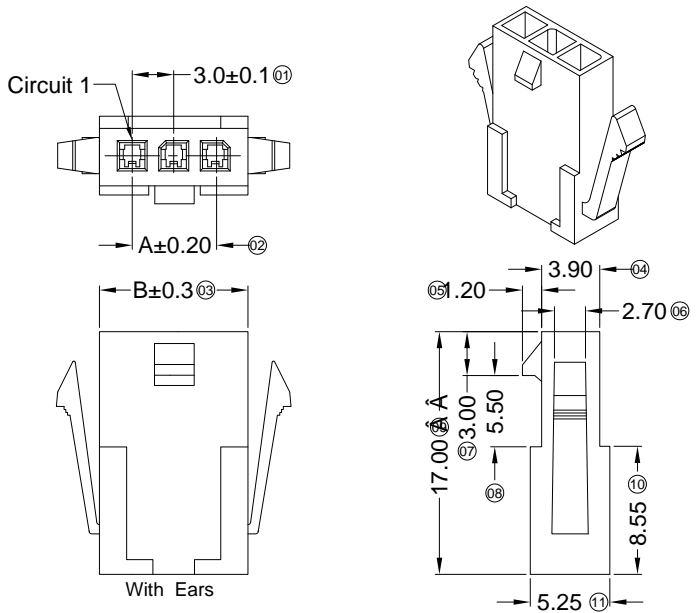
B

C

D

E

F



■ Specifications :

- Voltage rating: 250V AC / DC
- Current rating: 5A AC / DC
- Withstanding voltage: 1000V AC/minute
- Temperature range: -40°C~+105°C
- Insulation resistance: •1000M
- Contact resistance: "10m
- After environmental testing Ö "20m

X3025 H F-XX XX-N2 XX
 ① ② ③ ④ ⑤ ⑥ ⑦

- ① Series No.
- ② Category ÖH-HSG
- ③ Welding Board Angle ÖF-Female HSG
- ④ Row No.-Pin No.: XX-02P-12P
- ⑤ Plug the Pin & special No. Ö I-Without Ears
G-With Ears
- ⑥ Material ÖN2-PA66 94V-2;
- ⑦ Color ÖBlank-Natural Color ; WH-White

Poles	Dimensions(mm)		Poles	Dimensions(mm)	
	A	B		A	B
02	3.00	6.90	08	21.00	24.90
03	6.00	9.90	09	24.00	27.90
04	9.00	12.90	10	27.00	30.90
05	12.00	15.90	11	30.00	33.90
06	15.00	18.90	12	33.00	36.90
07	18.00	21.90			

X3025HF-XXG-N2	Nylon 66 94V-2	Natural Color	X3025TM	X3025HM	With Ears
X3025HF-XXG-N2WH	Nylon 66 94V-2	White			Without Ears
X3025HF-XXI-N2	Nylon 66 94V-2	Natural Color	X3025TM	X3025HM	With Ears
X3025HF-XXI-N2WH	Nylon 66 94V-2	White			Without Ears
PART NO	Material	Color	Suitable XKB Terminal	Mates With XK B Housing	Note

For and on behalf of
XKB INDUSTRIAL PRECISION CO., LIMITED
 香港星坤工業精密有限公司

Authorized Signature(s)

MARK	DESCRIPTION	DATE	REVISED	APPROVED	UNSPECIFIED TOLERANCES
△ X					ANGULAR ± 5°
△ X					L ≤ 4 ± 0.2
△ X					4 < L ≤ 16 ± 0.3
					16 < L ≤ 63 ± 0.4
					L > 63 ± 0.5

DSND	DATE	SCALE: N/A	MODEL TYPE: X3025HF-XXX-N2
DWN	DATE	VIEW:	PART NO.:
CHKD	DATE	UNIT: mm	3.00 mm Crimp Style Connectors
APPD	DATE	SIZE: A4	DWG NO.:
			WEIGHT 1.0g
			SHEET 1/1
			REVISION A0

1 2 3 4 5 6 7 8

1 2 3 4 5 6 7 8

A

B

C

D

E

F

A

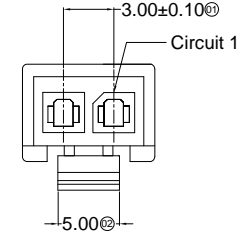
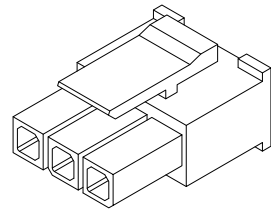
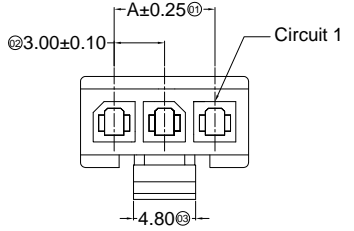
B

C

D

E

F



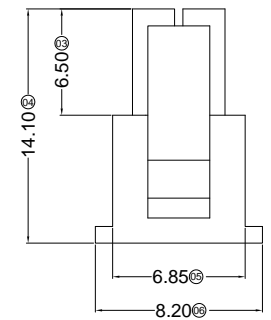
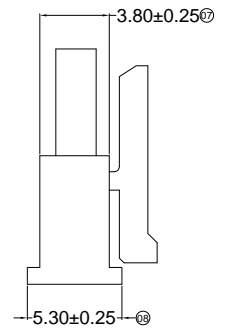
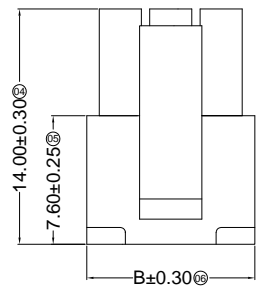
Specifications :

- Voltage rating: 250V AC / DC
- Current rating: 5A AC / DC
- Withstanding voltage: 1000V AC/minute
- Temperature range: -40°C~+105°C
- Insulation resistance: • 1000M
- Contact resistance: " 10m
- After environmental testing " 20m

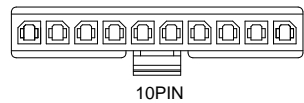
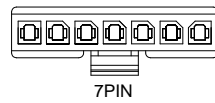
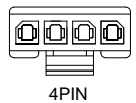
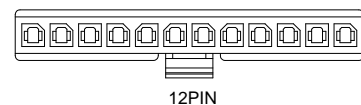
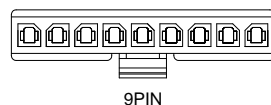
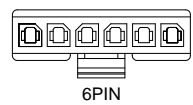
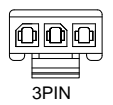
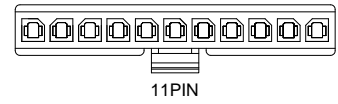
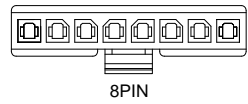
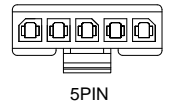
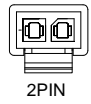
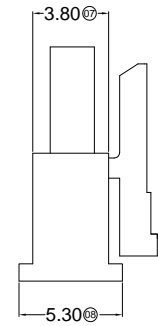
X3025 H M-XX X-N2 XX

① ②③④⑤⑥⑦

- ① Series No.
- ② Category " H-HSG
- ③ Welding Board Angle " M-Male HGS
- ④ Row No.-Pin No.: XX-02P~12P
- ⑤ Plug the Pin & special No.
- ⑥ Material " N2-PA66 94V-2
- ⑦ Color " Blank-Natural Color



2P



Poles	Dimensions (mm)		Poles	Dimensions (mm)	
	A	B		A	B
03	6.00	9.85	08	21.00	24.85
04	9.00	12.85	09	24.00	27.85
05	12.00	15.85	10	27.00	30.85
06	15.00	18.85	11	30.00	33.85
07	18.00	21.85	12	33.00	36.85

X3025HM-XX-N2	Nylon 66 94V-2	X3025TF	X3025W
PART NO	Material	Suitable XKB Terminal	Mates With XKB Wafer

For and on behalf of
XKB INDUSTRIAL PRECISION CO., LIMITED
 香港星坤工業精密有限公司

△ X						ANGULAR	± 5°
△ X						L ≤ 4	± 0.2
△ X						4 < L ≤ 16	± 0.3
△ X						16 < L ≤ 63	± 0.4
MARK						L > 63	± 0.5
	DESCRIPTION	DATE	REVISED	APPROVED		UNSPECIFIED TOLERANCES	

DSND		DATE		SCALE: N/A	MODEL TYPE: X3025HM-XX-N2		
DWN		DATE		VIEW:	PART NO.: 3.00 mm Crimp Style Connectors		
CHKD		DATE		UNIT: mm	DWG NO.:		
APPD		DATE		SIZE: A4			
					WEIGHT 1.0g	SHEET 1/1	REVISION A0

XKB INDUSTRIAL PRECISION CO., LIMITED

1 2 3 4 5 6 7 8

1 2 3 4 5 6 7 8

A

B

C

D

E

F

A

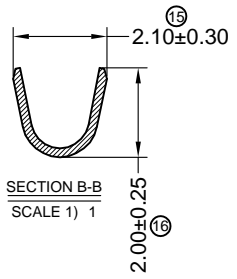
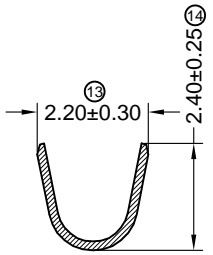
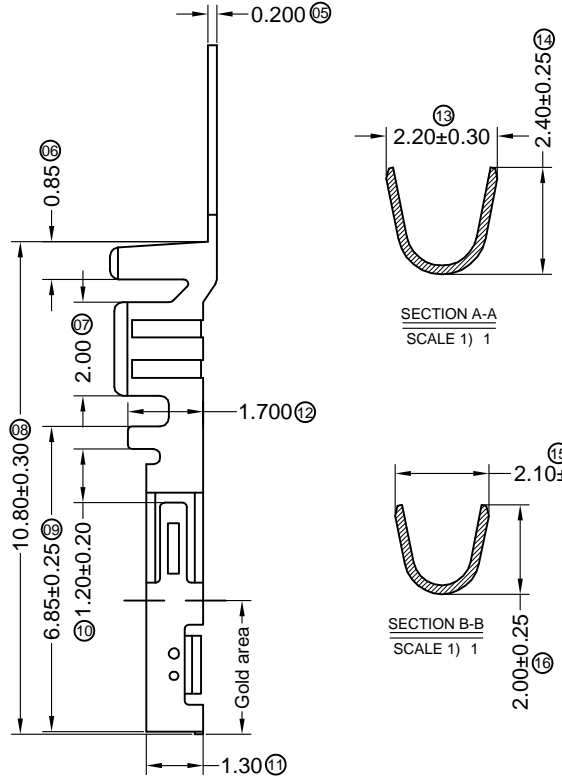
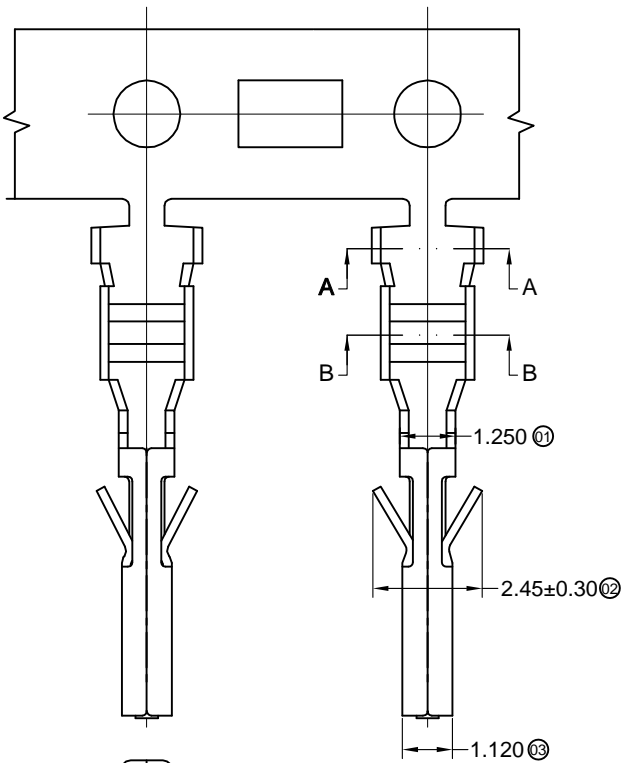
B

C

D

E

F



■ Specifications :

- Voltage rating: 250V AC / DC
- Current rating: 5A AC / DC
- Withstanding voltage: 1000V AC/minute
- Temperature range: -40°C~+85°C
- Insulation resistance: • 1000M
- Contact resistance: " 10m
- After environmental testing " 20m

X3025 T F-P XX X-X

- (11) Series Number
- (12) Category: T-terminal
- (13) Shape: F-Female Terminal
- (14) Material: P-Phosphor bronze
- (15) Plating style:
 - G-Gold-Plated Contact
 - *01-Gold Flash *15-15u" *30-30u"
 - SN-Bright tin plating 70-120u"
- (16) Plating method:
 - Blank-Stamping before plating
- (17) Mold No./Mark/Special No.

X3025TF-PG30	Phosphor Bronze	AWG#20-24	1.85mm(Max)	Stamping Before Pating:30~50u" Ni;Contact Area Gold:30u" Min.	X3025HM
X3025TF-PG15				Stamping Before Pating:30~50u" Ni;Contact Area Gold:15u" Min.	
X3025TF-PG01				Stamping Before Pating:30~50u" Ni;Contact Area Gold Flash	
X3025TF-PSN				Stamping Before Plating:30~50u" Ni;70~120u" Sn	
PART NO	Material	Wire Range	Insulation O.D.	Finish	Used In XKB Housing

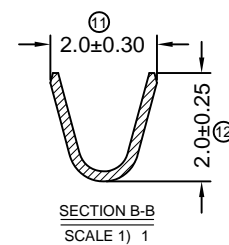
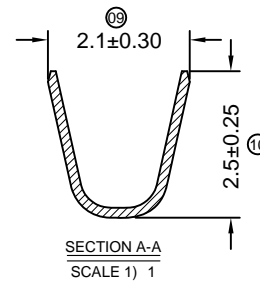
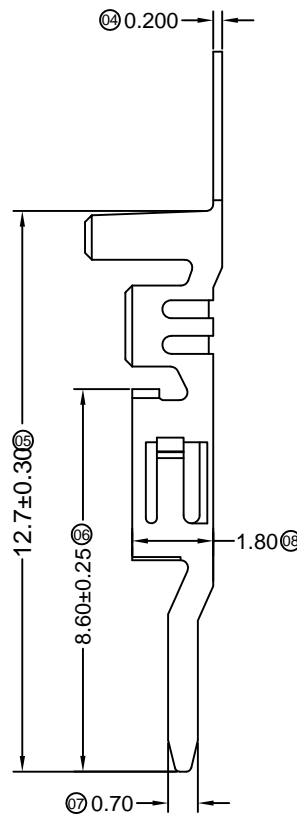
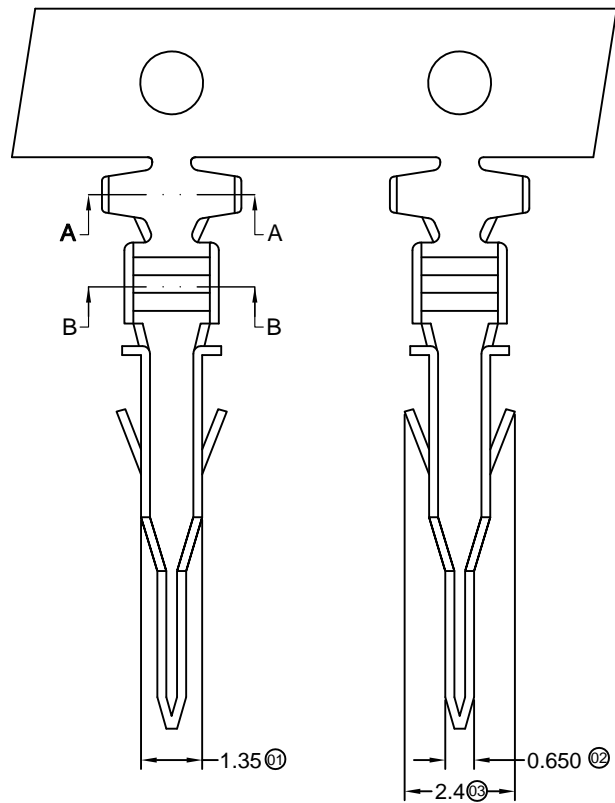
For and on behalf of
XKB INDUSTRIAL PRECISION CO., LIMITED
 香港星坤工業精密有限公司

REVISIONS
 Authorized Signature(s)

△ X						ANGULAR	± 5°	DSND		DATE		SCALE: N/A	MODEL TYPE:	X3025TF-PXXX	
△ X						L ≤ 4	± 0.2	DWN		DATE		VIEW:	PART NO.:	3.00 mm Crimp Style Connectors	
△ X						4 < L ≤ 16	± 0.3	CHKD		DATE		UNIT: mm	DWG NO.:		
△ X						16 < L ≤ 63	± 0.4	APPD		DATE		SIZE: A4			
MARK	DESCRIPTION	DATE	REVISED	APPROVED		L > 63	± 0.5						WEIGHT	SHEET	REVISION
						UNSPECIFIED TOLERANCES							1.0g	1/1	A0

1 2 3 4 5 6 7 8

XKB INDUSTRIAL PRECISION CO., LIMITED



■ Specifications :

- Voltage rating: 250V AC / DC
- Current rating: 5A AC / DC
- Withstanding voltage: 1000V AC/minute
- Temperature range: -25°C~+85°C
- Insulation resistance: • 1000M
- Contact resistance: " 10m
- After environmental testing " 20m

X3025 T M-P XX X-X

(11) (12) (13) (14) (15) (16) (17)

- (11) Series Number
- (12) Category: T-terminal
- (13) Shape: M-Male Terminal
- (14) Material: P-Phosphor bronze
- (15) Plating style:
G-Gold-Plated Contact
*01-Gold Flash *15-15u" *30-30u"
SN-Bright tin plating 70u"
- (16) Plating method:
Blank-Stamping before plating
- (17) Mold No./Mark/Special No.

X3025TM-PG30				Stamping Before Pating:30u" Ni;Contact Area Gold:30u" Min.	X3025HF
X3025TM-PG15	Phosphor Bronze	AWG#20-24	1.85mm(Max)	Stamping Before Pating:30u" Ni;Contact Area Gold:15u" Min.	
X3025TM-PG01				Stamping Before Pating:30u" Ni;Contact Area Gold Flash	
X3025TM-PSN				Stamping Before Pating:30u" Ni;70u"Sn	
PART NO	Material	Wire Range	Insulation O.D.	Finish	Used In XKB Housing

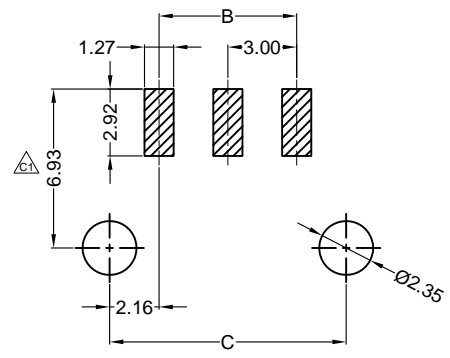
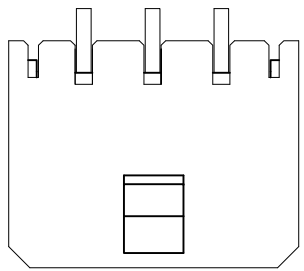
For and on behalf of
XKB INDUSTRIAL PRECISION CO., LIMITED
 香港星坤工業精密有限公司

△ X						ANGULAR	± 5°	DSND		DATE	SCALE: N/A	MODEL TYPE:	X3025TM-PXX	
△ X						L ≤ 4	± 0.2	DWN		DATE	VIEW:	PART NO.:		
△ X						4 < L ≤ 16	± 0.3	CHKD		DATE	UNIT: mm	3.00 mm Crimp Style Connectors		
△ X						16 < L ≤ 63	± 0.4	APPD		DATE	SIZE: A4	DWG NO.:		
MARK	DESCRIPTION	DATE	REVISED	APPROVED		L > 63	± 0.5					WEIGHT	SHEET	REVISION
						UNSPECIFIED TOLERANCES						1.0g	1/1	A0

REVISIONS
 Authorized Signature(s)

XKB INDUSTRIAL PRECISION CO., LIMITED

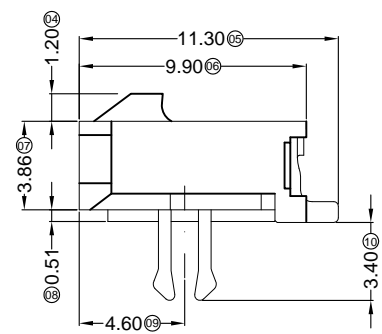
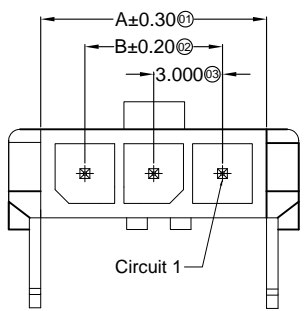
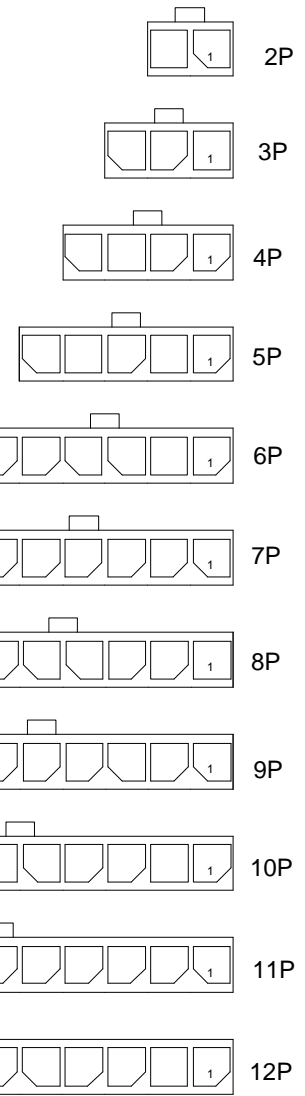
1 2 3 4 5 6 7 8



P.C.B. LAYOUT

- Specifications :
- Voltage rating: 250V AC / DC
 - Current rating: 5A AC / DC
 - Withstanding voltage: 1000V AC/minute
 - Temperature range: -25°C~+85°C
 - Insulation resistance: • 1000M
 - Contact resistance: • 10m
 - After environmental testing Ø " 20m

Poles	Dimensions (mm)		
	A	B	C
02	6.85	3.00	7.30
03	9.85	6.00	10.30
04	12.85	9.00	13.30
05	15.85	12.00	16.30
06	18.85	15.00	19.30
07	21.85	18.00	22.30
08	24.85	21.00	25.30
09	27.85	24.00	28.30
10	30.85	27.00	31.30
11	33.85	30.00	34.30
12	36.85	33.00	37.30



X3025 W R S- XX C-XX XX XX

- ① Series No.
- ② Category W-wafer
- ③ Welding Board Angle: R-90°
- ④ Welding Way: S-SMT
- ⑤ Row No.-Pin No. : XX-Single row
- ⑥ Special NO.: C-The harpoon
- ⑦ Material LP-LCP 94V-0 66-PA66 94V-0
- ⑧ Planting Category:
SN-Bright tin plating 70U"
SW-Fog Tin plating
- ⑨ Color Blank-natural color

3025WRS-XXC-LPSW	LCP UL 94V-0	Brass	Tin Plating Fog	Brass	Tin-Plated	X3025H
3025WRS-XXC-LPSN	LCP UL 94V-0		Tin-Plated			
3025WRS-XXC-66SN	PA66 UL 94V-0					
PART NO	Material	Material(Pin)	Finish(Pin)	Material (Solder Tabs)	Finish (Solder Tabs)	Mates With XKB Housing

For and on behalf of
XKB INDUSTRIAL PRECISION CO., LIMITED
 香港星坤工業精密有限公司

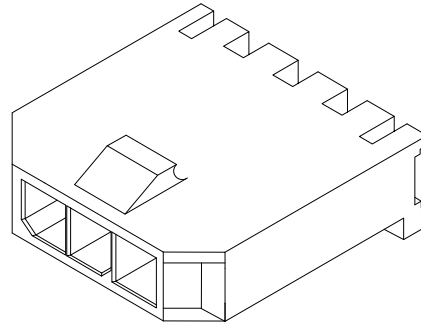
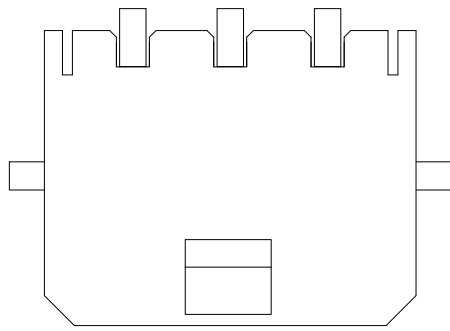
MARK	DESCRIPTION	DATE	REVISED	APPROVED	UNSPECIFIED TOLERANCES
△ X					ANGULAR ± 5°
△ X					L ≤ 4 ± 0.2
△ X					4 < L ≤ 16 ± 0.3
△ X					16 < L ≤ 63 ± 0.4
△ X					L > 63 ± 0.5

DSND	DATE	SCALE: N/A	MODEL TYPE: X3025WRS-XXC-XXXX
DWN	DATE	VIEW:	PART NO.:
CHKD	DATE	UNIT: mm	3.00 mm Crimp Style Connectors
APPD	DATE	SIZE: A4	DWG NO.:
			WEIGHT 1.0g
			SHEET 1/1
			REVISION A0

1 2 3 4 5 6 7 8

Specifications :

- Voltage rating: 250V AC / DC
- Current rating: 5A AC / DC
- Withstanding voltage: 1000V AC/minute
- Temperature range: -25°C~+85°C
- Insulation resistance: • 1000M
- Contact resistance: " 10m
- After environmental testing Ö " 20m
- Mark "*" Indicate Dimensions Need To Controlled In Emphasis

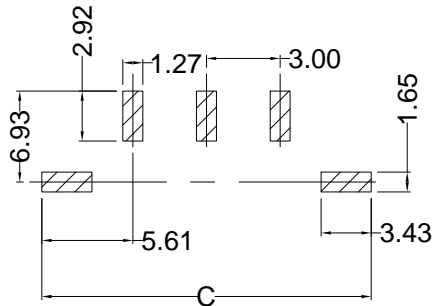
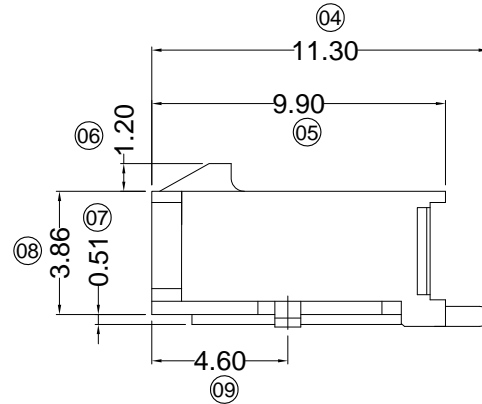
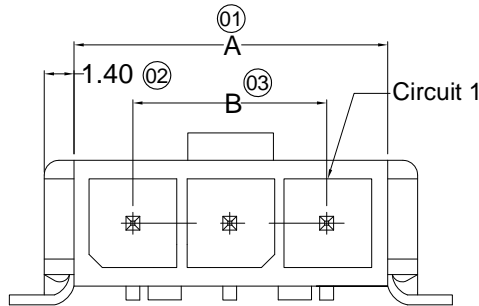


X3025 W R S- XX D-LP SW XX

①②③④ ⑤⑥⑦⑧⑨

- ① Series No.
- ② Category Ö
W-wafer
- ③ Welding Board Angle:
R-90°
- ④ Welding Way:
S-SMT
- ⑤ Row No.-Pin No.
XX-Single row
- ⑥ Special NO.
D-Solder Tabs
- ⑦ Material Ö
LP-LCP 94V-0
- ⑧ Planting Category:
V** : All Gold-Plated
G** : Gold-Plated Contact
*01-Gold Flash ; *02-2U" ; *03-3U" ; *05-5U"
*10-10U" ; *15-15U" ; *30-30U" ; *50-50U"
SN1-Bright tin plating 70U"
SW-Fog Tin plating
- ⑨ Color Ö
Blank-natural color

Poles	Dimensions		
	A	B	C
2	6.85	3.00	14.20
3	9.85	6.00	17.20
4	12.85	9.00	20.20
5	15.85	12.00	23.20
6	18.85	15.00	26.20
7	21.85	18.00	29.20
8	24.85	21.00	32.20
9	27.85	24.00	35.20
10	30.85	27.00	38.20
11	33.85	30.00	41.20
12	36.85	33.00	44.20

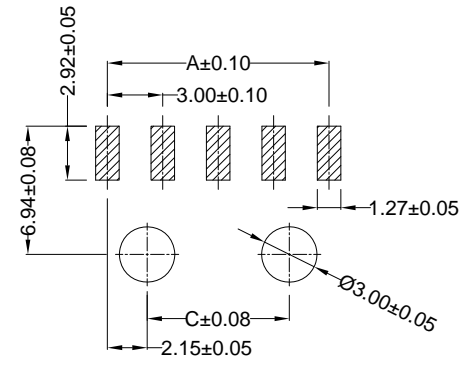
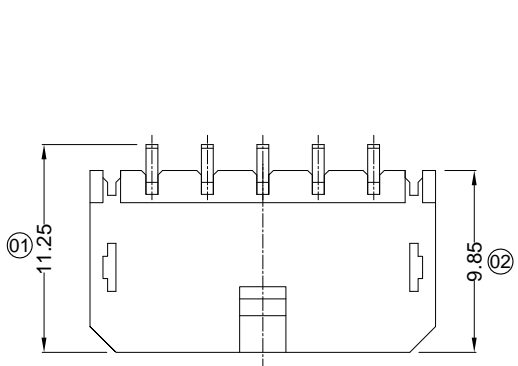


X3025WRS-XXD-LPG15	LCP UL 94V-0	Brass	Contact Area Gold: 15u" Min.	Brass	Tin-Plated	X3025H
X3025WRS-XXD-LPSW	LCP UL 94V-0	Brass	Tin Plating Fog	Brass	Tin-Plated	X3025H
PART NO	Material	Material(Pin)	Finish(Pin)	Material (Solder Tabs)	Finish (Solder Tabs)	Mates With XKB Housing

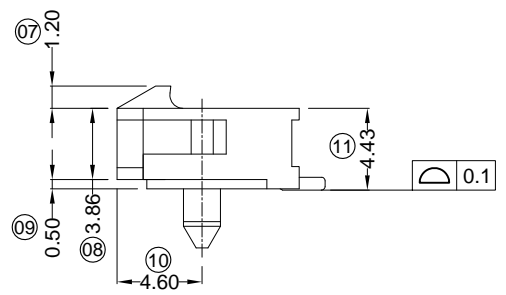
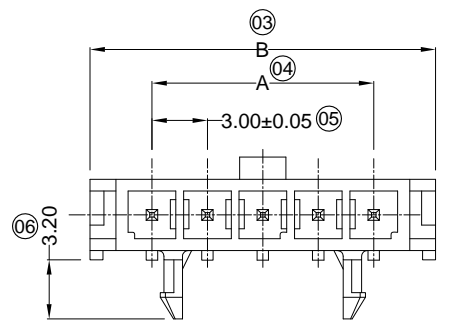
For and on behalf of
XKB INDUSTRIAL PRECISION CO., LIMITED
 香港星坤工業精密有限公司

△ X	DESCRIPTION	DATE	REVISED	APPROVED	UNSPECIFIED TOLERANCES	DSND	DATE	SCALE: N/A	MODEL TYPE: X3025WRS-XXD-LPXXX
△ X						DWN	DATE	VIEW:	PART NO.:
△ X						CHKD	DATE	UNIT: mm	3.00 mm Crimp Style Connectors
MARK						APPD	DATE	SIZE: A4	DWG NO.:
									WEIGHT
									1.0g
									SHEET
									1/1
									REVISION
									A0

XKB INDUSTRIAL PRECISION CO., LIMITED



Recommended P.C.B Board Layout



- Specifications :
- Voltage rating: 250V AC / DC
 - Current rating: 5A AC / DC
 - Withstanding voltage: 1000V AC/minute
 - Temperature range: -25°C~+85°C
 - Insulation resistance: • 1000M
 - Contact resistance: " 10m
 - After environmental testingÖ " 20m

X3025 W R S-XX E-LP XX XX
 01 02 03 04 05 06 07 08 09

- 01 Series No.
- 02 Category Ö
- W-wafer
- 03 Welding Board Angle: R-90°
- 04 Welding Way: S-SMT
- 05 Row No.-Pin No. XX-Single row
- 06 Special NO. E-With plastic positioning column
- 07 Material Ö LP-LCP 94V-0
- 08 Planting Category: V**:All Gold-Plated G**:Gold-Plated Contact *01-Gold Flash ; *02-2u" ; *03-3u" ; *05-5u" *10-10u" ; *15-15u" ; *30-30u" ; *50-50u" SN-Bright tin plating 70u" SN1-Bright tin plating 120u"Min. ; SW-Fog Tin plating
- 09 Color Ö Blank-natural color

Poles	Dimensions (mm)		
	A	B	C
02	3.00	9.65	---
03	6.00	12.65	---
04	9.00	15.65	4.70
05	12.00	18.65	7.70
06	15.00	21.65	10.70
07	18.00	24.65	13.70
08	21.00	27.65	16.70
09	24.00	30.65	19.70
10	27.00	33.65	22.70
11	30.00	36.65	25.70
12	33.00	39.65	28.70

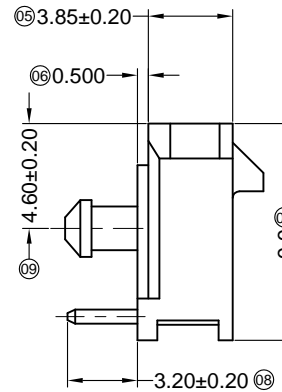
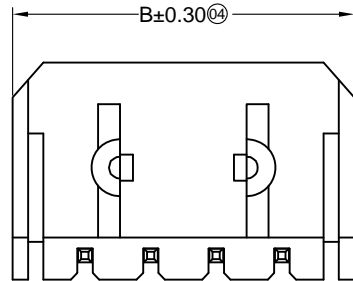
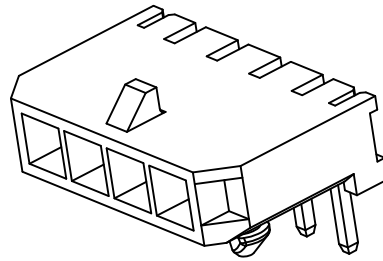
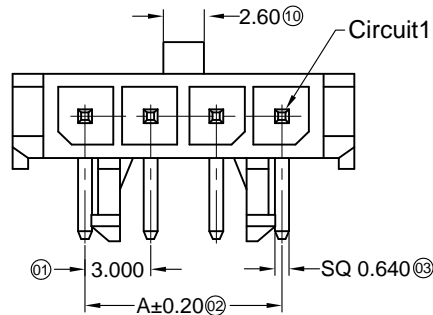
X3025WRS-XXE-LPSW	LCP UL 94V-0	Brass	Tin Plating Fog	X3025H
X3025WRS-XXE-LPSN			Tin-Plated	
PART NO	Material	Material(Pin)	Finish(Pin)	Mates With XKB Housing

For and on behalf of
XKB INDUSTRIAL PRECISION CO., LIMITED
 香港星坤工業精密有限公司

REVISIONS
 Authorized Signature(s)

△ X	DESCRIPTION	DATE	REVISED	APPROVED	UNSPECIFIED TOLERANCES	DSND	DATE	SCALE: N/A	MODEL TYPE: X3025WRS-XXE-LPXX
△ X						DWN	DATE	VIEW:	PART NO.:
△ X						CHKD	DATE	UNIT: mm	3.00 mm Crimp Style Connectors
MARK						APPD	DATE	SIZE: A4	DWG NO.:
									WEIGHT 1.0g
									SHEET 1/1
									REVISION A0

XKB INDUSTRIAL PRECISION CO., LIMITED

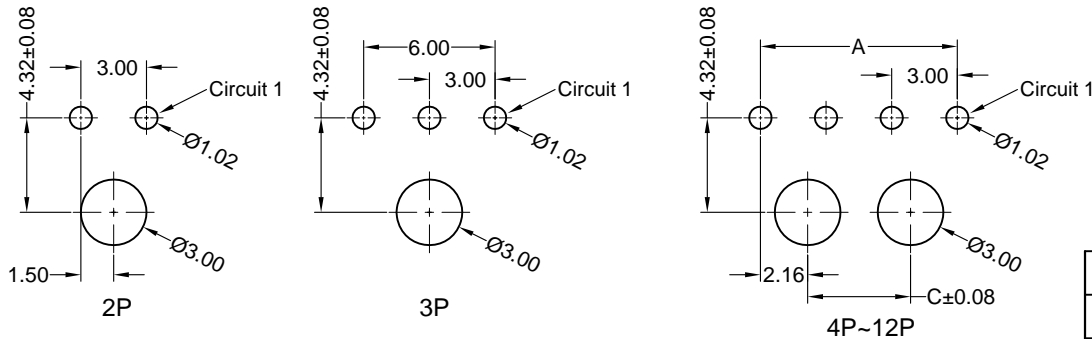


Specifications :

- Voltage rating: 250V AC / DC
- Current rating: 5A AC / DC
- Withstanding voltage: 1500V AC/minute
- Temperature range: -40°C~+105°C
- Insulation resistance: • 1000M
- Contact resistance: " 10m
- After environmental testing Ö " 20m

X3025 W R X - XX X - XX SN XX
 ① ② ③ ④ ⑤ ⑥ ⑦ ⑧ ⑨

- ① Series No.
- ② Category Ö W-wafer
- ③ Welding Board Angle: R-90°
- ④ Welding Way: Blank-DIP
- ⑤ Row No.-Pin No.: XX-Single row
- ⑥ Plug the Pin & Special No.:
- ⑦ Material Ö
LP-LCP 94V-0 N0-PA9T 94V-0
- ⑧ Planting Category:
SN-Bright tin plating 70u" Min.
- ⑨ Color Ö Blank-Natural Color Black



Recommended PCB layout

Poles	Dimensions(mm)			Poles	Dimensions(mm)		
	A	B	C		A	B	C
01	---	6.65	---	07	18.00	24.65	13.70
02	3.00	9.65	---	08	21.00	27.65	16.70
03	6.00	12.65	---	09	24.00	30.65	19.70
04	9.00	15.65	4.70	10	27.00	33.65	22.70
05	12.00	18.65	7.70	11	30.00	36.65	25.70
06	15.00	21.65	10.70	12	33.00	39.65	28.70

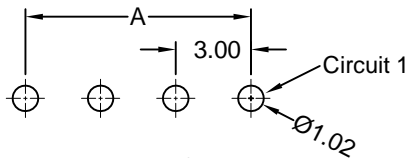
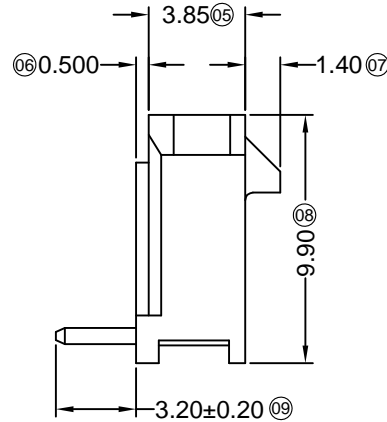
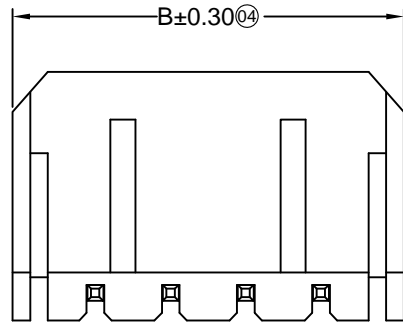
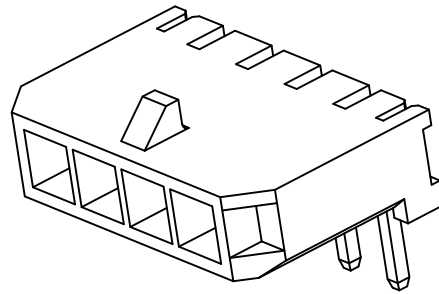
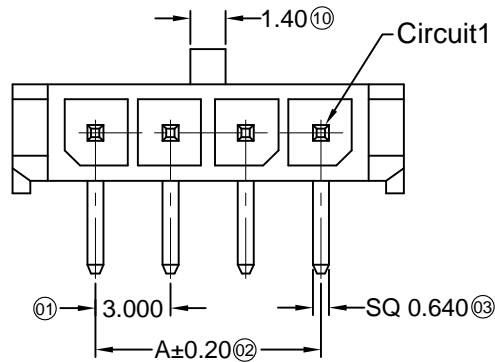
X3025WR-XX-N0SNXX	PA9T UL 94V-0	Brass	Tin-Plated	X3025H
X3025WR-XX-LPSNXX	LCP UL 94V-0			
PART NO	Material	Material(Pin)	Finish(Pin)	Mates With XKB Housing

For and on behalf of
XKB INDUSTRIAL PRECISION CO., LIMITED
 香港星坤工業精密有限公司

△ X					ANGULAR	±5°
△ X					L ≤ 4	±0.2
△ X					4 < L ≤ 16	±0.3
MARK	DESCRIPTION	DATE	REVISED	APPROVED	16 < L ≤ 63	±0.4
					L > 63	±0.5
	REVISIONS				UNSPECIFIED TOLERANCES	

DSND		DATE		SCALE: N/A	MODEL TYPE: X3025WR-XX-XXSNXX
DWN		DATE		VIEW:	PART NO.:
CHKD		DATE		UNIT: mm	3.00mm Crimp Style Connectors
APPD		DATE		SIZE: A4	DWG NO.:
					WEIGHT 1.0g
					SHEET 1/1
					REVISION A0

XKB INDUSTRIAL PRECISION CO., LIMITED



Recommended P.C.B Layout
General Tolerance±0.05

Specifications :

- Voltage rating: 250V AC / DC
- Current rating: 5A AC / DC
- Withstanding voltage: 1500V AC/minute
- Temperature range: -40°C~+105°C
- Insulation resistance: • 1000M
- Contact resistance: " 10m
- After environmental testing Ö " 20m

X3025 W R X - XX B - XX SN XX
 (11) (12) (13) (14) (15) (16) (17) (18) (19)

- (11) Series No.
- (12) Category Ö W-wafer
- (13) Welding Board Angle: R-90°
- (14) Welding Way: Blank-DIP
- (15) Row No.-Pin No.: XX-01P~12P
- (16) Plug the Pin & Special No.:
B-Without positioning column
- (17) Material Ö LP-LCP 94V-0 ;
66-PA66 94V-0
- (18) Planting Category: SN-Bright tin plating
- (19) Color Ö Blank-Natural Color Black

Poles	Dimensions(mm)		Poles	Dimensions(mm)	
	A	B		A	B
01	---	6.65	07	18.00	24.65
02	3.00	9.65	08	21.00	27.65
03	6.00	12.65	09	24.00	30.65
04	9.00	15.65	10	27.00	33.65
05	12.00	18.65	11	30.00	36.65
06	15.00	21.65	12	33.00	39.65

X3025WR-XXB-66SN	PA66 UL 94V-0	Brass	Tin-Plated	X3025H
X3025WR-XXB-LPSN	LCP UL 94V-0			
PART NO	Material	Material(Pin)	Finish(Pin)	Mates With XKB Housing

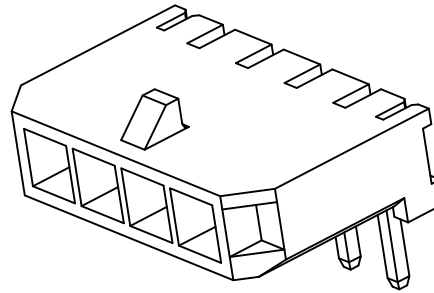
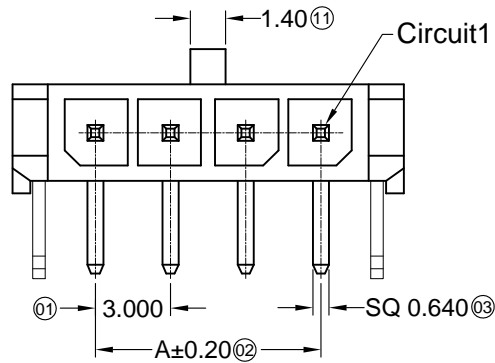
For and on behalf of
XKB INDUSTRIAL PRECISION CO., LIMITED
 香港星坤工業精密有限公司

△ X						ANGULAR	± 5°
△ X						L ≤ 4	± 0.2
△ X						4 < L ≤ 16	± 0.3
MARK						16 < L ≤ 63	± 0.4
						L > 63	± 0.5
						UNSPECIFIED TOLERANCES	

DSND		DATE		SCALE: N/A	MODEL TYPE: X3025WR-XXB-XXSN
DWN		DATE		VIEW:	PART NO.: 3.00mm Crimp Style Connectors
CHKD		DATE		UNIT: mm	DWG NO.:
APPD		DATE		SIZE: A4	
					WEIGHT 1.0g
					SHEET 1/1
					REVISION A0

XKB INDUSTRIAL PRECISION CO., LIMITED

Authorized Signature(s)

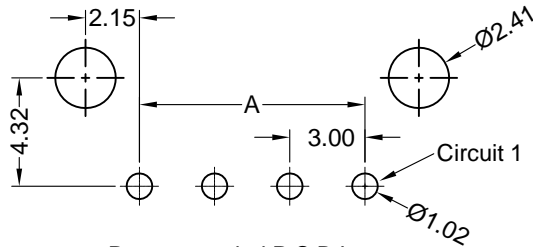
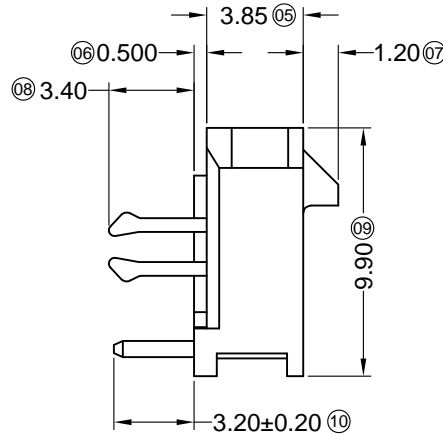
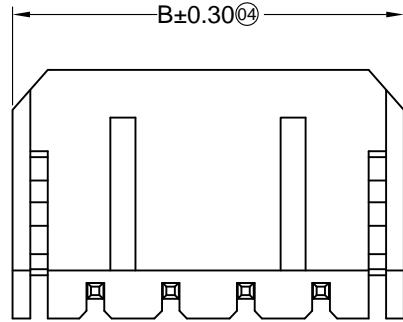


Specifications :

- Voltage rating: 250V AC / DC
- Current rating: 5A AC / DC
- Withstanding voltage: 1500V AC/minute
- Temperature range: -40°C~+105°C
- Insulation resistance: • 1000M
- Contact resistance: " 10m
- After environmental testing Ö " 20m

X3025 W R X - XX C - XX SN XX
 ① ② ③ ④ ⑤ ⑥ ⑦ ⑧ ⑨

- ① Series No.
- ② Category Ö W-wafer
- ③ Welding Board Angle: R-90°
- ④ Welding Way: Blank-DIP
- ⑤ Row No.-Pin No.: XX-01P~12P
- ⑥ Plug the Pin & Special No.: C-The harpoon
- ⑦ Material Ö LP-LCP 94V-0 ; 66-PA66 94V-0
- ⑧ Planting Category: SN-Bright tin plating
- ⑨ Color Ö Blank-Natural Color Black



Poles	Dimensions(mm)		Poles	Dimensions(mm)	
	A	B		A	B
01	---	6.65	07	18.00	24.65
02	3.00	9.65	08	21.00	27.65
03	6.00	12.65	09	24.00	30.65
04	9.00	15.65	10	27.00	33.65
05	12.00	18.65	11	30.00	36.65
06	15.00	21.65	12	33.00	39.65

X3025WR-XXC-66SN	PA66 UL 94V-0	Brass	Tin-Plated	X3025H
X3025WR-XXC-LPSN	LCP UL 94V-0			
PART NO	Material	Material(Pin)	Finish(Pin)	Mates WithXKB Housing

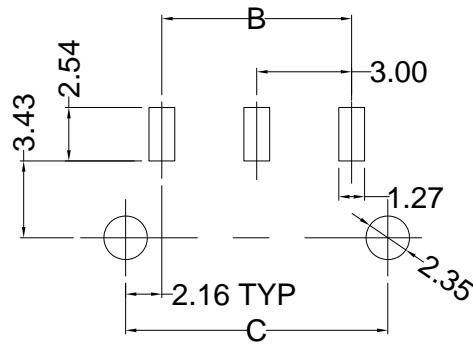
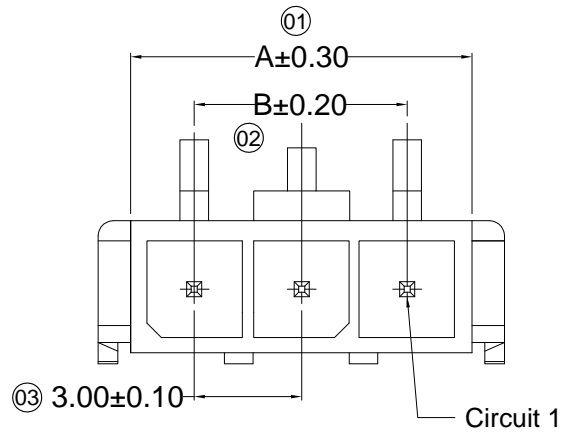
For and on behalf of
XKB INDUSTRIAL PRECISION CO., LIMITED
 香港星坤工業精密有限公司

△ X						ANGULAR	± 5°
△ X						L ≤ 4	± 0.2
△ X						4 < L ≤ 16	± 0.3
△ X						16 < L ≤ 63	± 0.4
MARK						L > 63	± 0.5
	DESCRIPTION	DATE	REVISED	APPROVED		UNSPECIFIED TOLERANCES	

DSND		DATE		SCALE: N/A	MODEL TYPE: X3025WR-XXC-XXSN
DWN		DATE		VIEW:	PART NO.:
CHKD		DATE		UNIT: mm	3.00mm Crimp Style Connectors
APPD		DATE		SIZE: A4	DWG NO.:
					WEIGHT 1.0g
					SHEET 1/1
					REVISION A0

XKB INDUSTRIAL PRECISION CO., LIMITED

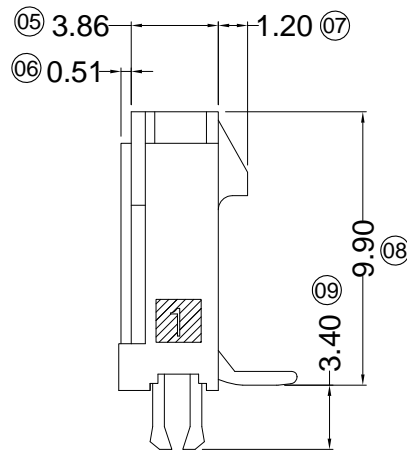
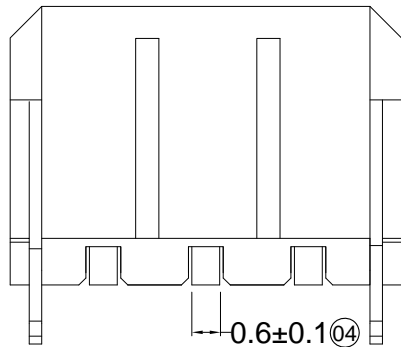
Authorized Signature(s)



P.C.B. LAYOUT

Specifications :

- Voltage rating: 250V AC / DC
- Current rating: 5A AC / DC
- Withstanding voltage: 1000V AC/minute
- Temperature range: -25°C~+85°C
- Insulation resistance: • 1000M
- Contact resistance: " 10m
- After environmental testing " 20m
- Mark "*" Indicate Dimensions Need To Controlled In Emphasis



X3025 W V S- XX C-XX XX XX

- ① Series No.
- ② Category 0
- W-wafer
- ③ Welding Board Angle: V-180°
- ④ Welding Way: S-SMT
- ⑤ Row No.-Pin No. XX-Single row
- ⑥ Special NO. C-The harpoon
- ⑦ Material 0
- LP-LCP 94V-0 66-PA66 94V-0
- ⑧ Planting Category: V** :All Gold-Plated G** :Gold-Plated Contact *01-Gold Flash ; *02-2U" ; *03-3U" ; *05-5U" *10-10U" ; *15-15U" ; *30-30U" ; *50-50U" SN-Bright tin plating 70U" SN1-Bright tin plating 120U"Min. ; SW-Fog Tin plating
- ⑨ Color 0
- Blank-natural color

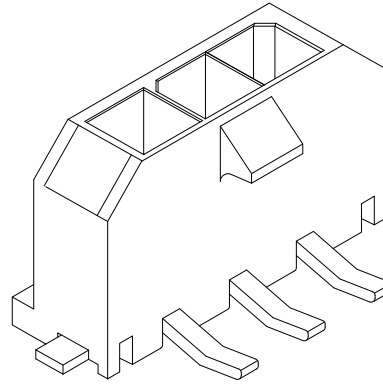
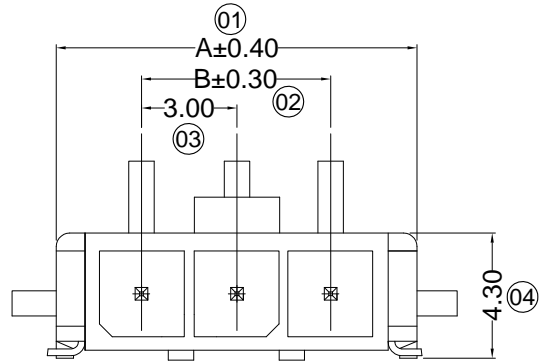
Poles	Dimensions (mm)		
	A	B	C
02	6.85	3.00	7.30
03	9.85	6.00	10.30
04	12.85	9.00	13.30
05	15.85	12.00	16.30
06	18.85	15.00	19.30
07	21.85	18.00	22.30
08	24.85	21.00	25.30
09	27.85	24.00	28.30
10	30.85	27.00	31.30
11	33.85	30.00	34.30
12	36.85	33.00	37.30

X3025WVS-XXC-LPSW	LCP UL 94V-0	Brass	Tin Plating Fog	Brass	Tin-Plated	X3025H
X3025WVS-XXC-66SN	PA66 UL 94V-0	Brass	Tin-Plated	Brass	Tin-Plated	X3025H
PART NO	Material	Material(Pin)	Finish(Pin)	Material (Solder Tabs)	Finish (Solder Tabs)	Mates With XKB Housing

For and on behalf of
XKB INDUSTRIAL PRECISION CO., LIMITED
 香港星坤工業精密有限公司

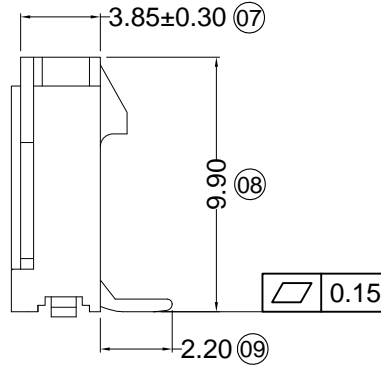
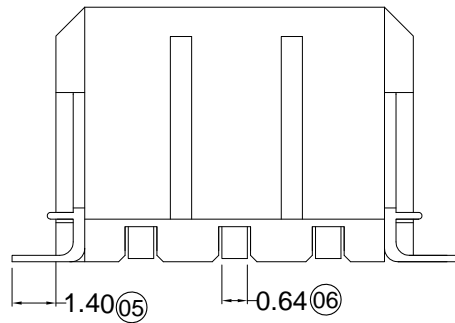
△ X	DESCRIPTION	DATE	REVISED	APPROVED	UNSPECIFIED TOLERANCES	DSND	DATE	SCALE: N/A	MODEL TYPE: X3025WVS-XXC-XXXX
△ X						DWN	DATE	VIEW:	PART NO.:
△ X						CHKD	DATE	UNIT: mm	3.00 mm Crimp Style Connectors
MARK						APPD	DATE	SIZE: A4	DWG NO.:
	REVISIONS								WEIGHT 1.0g
									SHEET 1/1
									REVISION A0

XKB INDUSTRIAL PRECISION CO., LIMITED



■ Specifications :

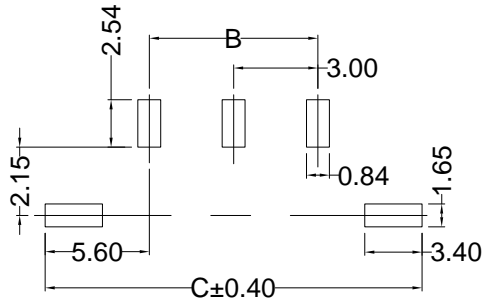
- Voltage rating: 250V AC / DC
- Current rating: 5A AC / DC
- Withstanding voltage: 1000V AC/minute
- Temperature range: -25°C~+85°C
- Insulation resistance: • 1000M
- Contact resistance: " 10m
- After environmental testing " 20m
- Mark "*" Indicate Dimensions Need To Controlled In Emphasis



X3025 W V S- XX D-LP XX XX

- ① Series No.
- ② Category Ö
- W-wafer
- ③ Welding Board Angle: V-180°
- ④ Welding Way: S-SMT
- ⑤ Row No.-Pin No. XX-Single row
- ⑥ Special NO. D-Solder Tabs
- ⑦ Material Ö LP-LCP 94V-0
- ⑧ Planting Category: V**:All Gold-Plated G**:Gold-Plated Contact *01-Gold Flash ; *02-2U" ; *03-3U" ; *05-5U" *10-10U" ; *15-15U" ; *30-30U" ; *50-50U" SN-Bright tin plating 70U" SN1-Bright tin plating 120U"Min. ; SW-Fog Tin plating
- ⑨ Color Ö Blank-natural color

Poles	Dimensions(mm)		
	A	B	C
02	9.70	3.00	12.50
03	12.70	6.00	15.50
04	15.70	9.00	18.50
05	18.70	12.00	21.50
06	21.70	15.00	24.50
07	24.70	18.00	27.50
08	27.70	21.00	30.50
09	30.70	24.00	33.50
10	33.70	27.00	36.50
11	36.70	30.00	39.50
12	39.70	33.00	42.50



X3025WVS-XXD-LPSW	LCP UL 94V-0	Brass	Tin Plated Fog	Brass	Tin Plated Fog	Mates With XKB5.70] Housing
X3025WVS-XXD-LPSN	LCP UL 94V-0		Tin-Plated		Tin-Plated	
NO	Material	Material(Pin)	Finish(Pin)	Material (Solder Tabs)	Finish (Solder Tabs)	

For and on behalf of
XKB INDUSTRIAL PRECISION CO., LIMITED
 香港星坤工業精密有限公司

△ X						ANGULAR	± 5°	DSND		DATE		SCALE: N/A	MODEL TYPE:
△ X						L ≤ 4	± 0.2	DWN		DATE		VIEW:	X3025WVS-XXD-LPXX
△ X						4 < L ≤ 16	± 0.3	CHKD		DATE		UNIT: mm	PART NO.:
MARK						16 < L ≤ 63	± 0.4	APPD		DATE		SIZE: A4	3.00 mm Crimp Style Connectors
						L > 63	± 0.5						DWG NO.:
						UNSPECIFIED TOLERANCES							WEIGHT
													1.0g
													SHEET
													1/1
													REVISION
													A0

REVISIONS
 Authorized Signature(s)

XKB INDUSTRIAL PRECISION CO., LIMITED

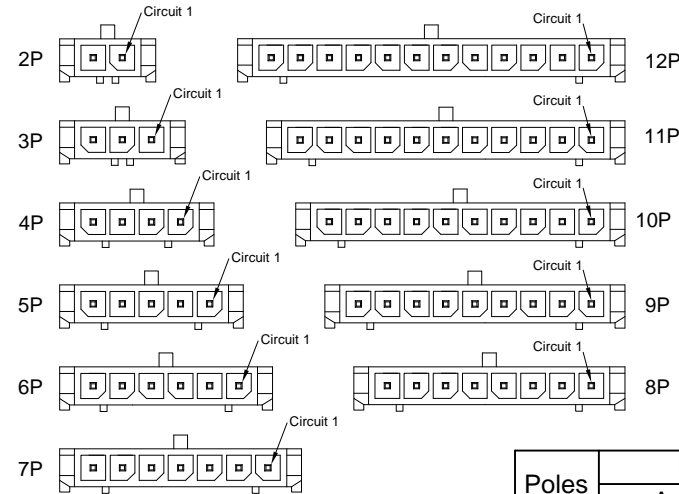
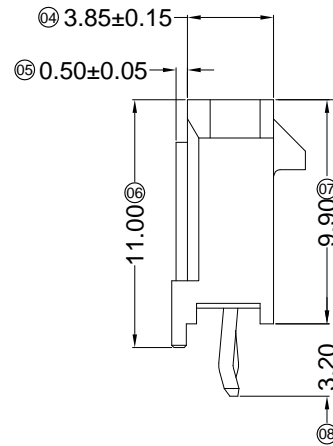
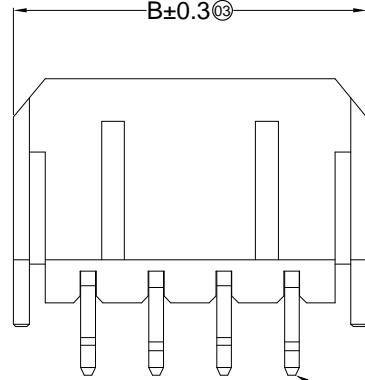
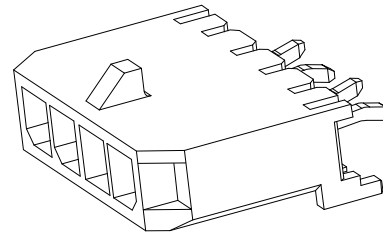
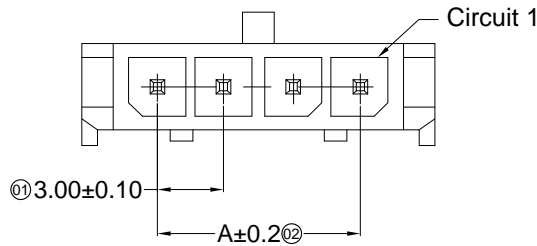
X3025 W V X-XX X- XX SN XX

① ② ③ ④ ⑤ ⑥ ⑦ ⑧ ⑨

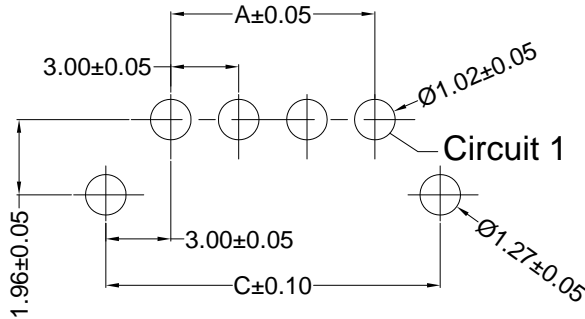
Specifications :

- Voltage rating: 250V AC / DC
- Current rating: 5A AC / DC
- Withstanding voltage: 1500V AC/minute
- Temperature range: -25°C~+85°C
- Insulation resistance: • 1000M
- Contact resistance: " 10m
- After environmental testing ϕ " 20m

- ① Series No.
- ② Category ϕ W-wafer
- ③ Welding Board Angle: V- Straight 180e
- ④ Welding Way: Blank-DIP
- ⑤ Row No.-Pin No.: XX-02P~12P
- ⑥ Plug the Pin & Special No.:
- ⑦ Material ϕ 46-PA46 94V-0 ; PT-PBT 94V-0; 66-PA66 94V-0
- ⑧ Planting Category: SN-Bright tin plating
- ⑨ Color ϕ Blank-Natural Color



Poles	Dimensions(mm)		
	A	B	C
02	3.00	9.65	9.00
03	6.00	12.65	12.00
04	9.00	15.65	15.00
05	12.00	18.65	18.00
06	15.00	21.65	21.00
07	18.00	24.65	24.00
08	21.00	27.65	27.00
09	24.00	30.65	30.00
10	27.00	33.65	33.00
11	30.00	36.65	36.00
12	33.00	39.65	39.00



X3025WV-XX-66SN	PA66 UL 94V-0	Brass	Tin-Plated	X3025H
X3025WV-XX-46SN	PA46 UL 94V-0			
X3025WV-XX-PTS	PBT UL 94V-0			
PART NO	Material	Material(Pin)	Finish(Pin)	Mates With XKB Housing

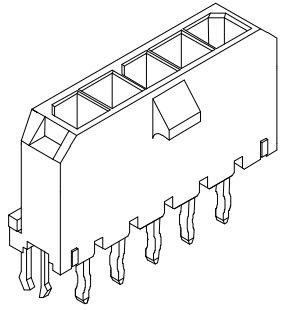
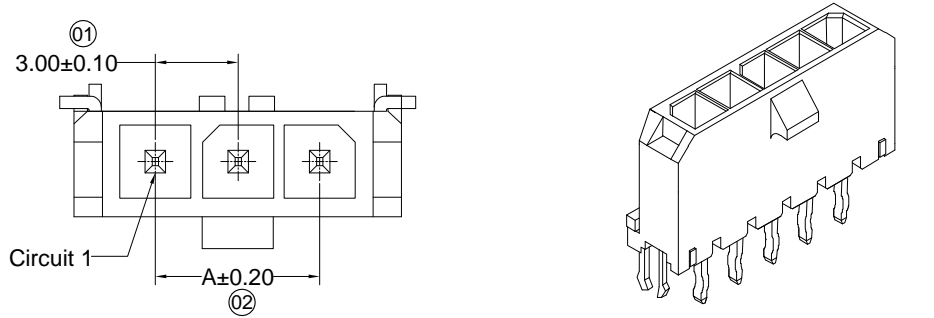
For and on behalf of
XKB INDUSTRIAL PRECISION CO., LIMITED
 香港星坤工業精密有限公司

MARK	DESCRIPTION	DATE	REVISED	APPROVED	UNSPECIFIED TOLERANCES
△ X					ANGULAR ±5°
△ X					L ≤ 4 ±0.2
△ X					4 < L ≤ 16 ±0.3
					16 < L ≤ 63 ±0.4
					L > 63 ±0.5

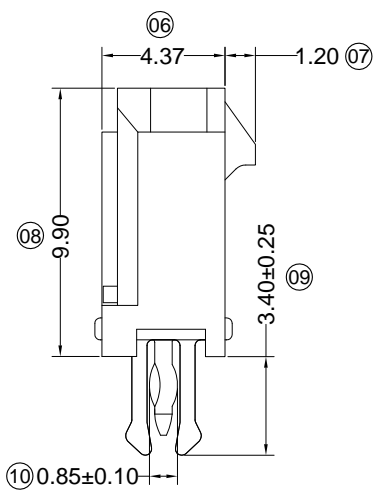
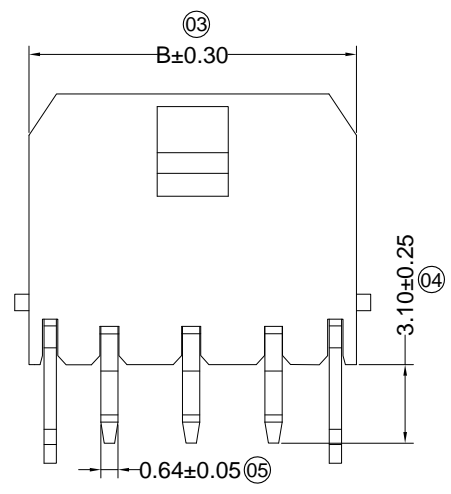
DSND		DATE	SCALE: N/A	MODEL TYPE: X3025WV-XXSN
DWN		DATE	VIEW:	PART NO.:
CHKD		DATE	UNIT: mm	3.00mm Crimp Style Connectors
APPD		DATE	SIZE: A4	DWG NO.:
			WEIGHT 1.0g	SHEET 1/1
				REVISION A0

XKB INDUSTRIAL PRECISION CO., LIMITED

Authorized Signature(s)



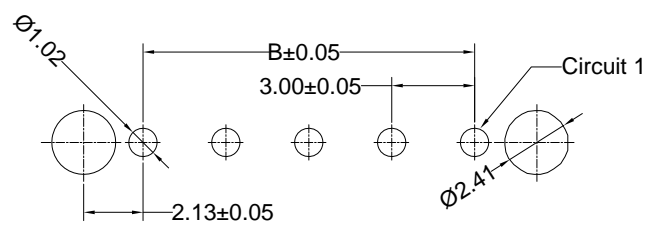
- Specifications :**
- Voltage rating: 250V AC / DC
 - Current rating: 5A AC / DC
 - Withstanding voltage: 1000V AC/minute
 - Temperature range: -25°C~+85°C
 - Insulation resistance: • 1000M
 - Contact resistance: " 10m
 - After environmental testingÖ " 20m



X3025W V X- XXC-XXSNXX

- ① Series No.
- ② Category Ö W-wafer
- ③ Welding Board Angle: V-180°
- ④ Welding Way: Blank-DIP
- ⑤ Row No.-Pin No. XX-Single row
- ⑥ Special NO. C-With a harpoon
- ⑦ Material Ö LP-LCP 94V-0 66-PA66 94V-0
- ⑧ Planting Category: V**:All Gold-Plated
G**:Gold-Plated Contact
*01-Gold Flash ; *02-2u" ; *03-3u" ; *05-5u"
*10-10u" ; *15-15u" ; *30-30u" ; *50-50u"
SN-Bright tin plating 70u"
SN1-Bright tin plating 120u"Min. ;
SW-Fog Tin plating
- ⑨ Color Ö Blank-natural color

Poles	Dimensions (mm)	
	A	B
2	3.00	9.65
3	6.00	12.65
4	9.00	15.65
5	12.00	18.65
6	15.00	21.65
7	18.00	24.65
8	21.00	27.65
9	24.00	30.65
10	27.00	33.65
11	30.00	36.65
12	33.00	39.65



P.C.B LAYOUT

X3025WV-XXC-66SN	PA66 UL 94V-0	Brass	Tin-Plated	X3025H
X3025WV-XXC-LPSN	LCP UL 94V-0			
PART NO	Material	Material(Pin)	Finish(Pin)	Mates With XKB Housing

For and on behalf of
XKB INDUSTRIAL PRECISION CO., LIMITED
 香港星坤工業精密有限公司

MARK	DESCRIPTION	DATE	REVISED	APPROVED	UNSPECIFIED TOLERANCES
△ X					ANGULAR ±5°
△ X					L ≤ 4 ±0.2
△ X					4 < L ≤ 16 ±0.3
△ X					16 < L ≤ 63 ±0.4
MARK					L > 63 ±0.5

DSND	DATE	SCALE: N/A	MODEL TYPE: X3025WV-XXC-XXSN
DWN	DATE	VIEW:	PART NO.:
CHKD	DATE	UNIT: mm	3.00 mm Crimp Style Connectors
APPD	DATE	SIZE: A4	DWG NO.:
		WEIGHT 1.0g	SHEET 1/1
		REVISION A0	

REVISIONS
 Authorized Signature(s)

XKB INDUSTRIAL PRECISION CO., LIMITED