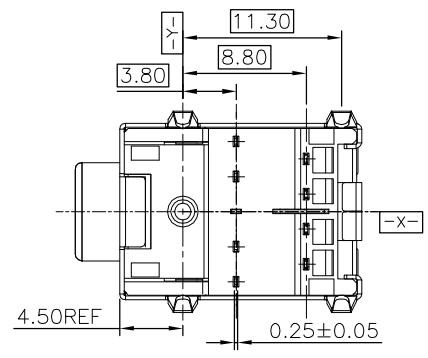
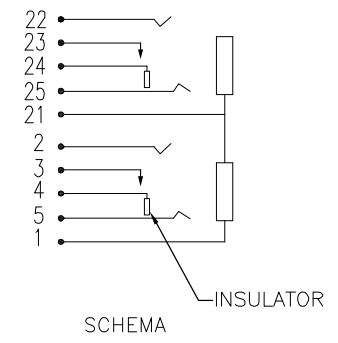
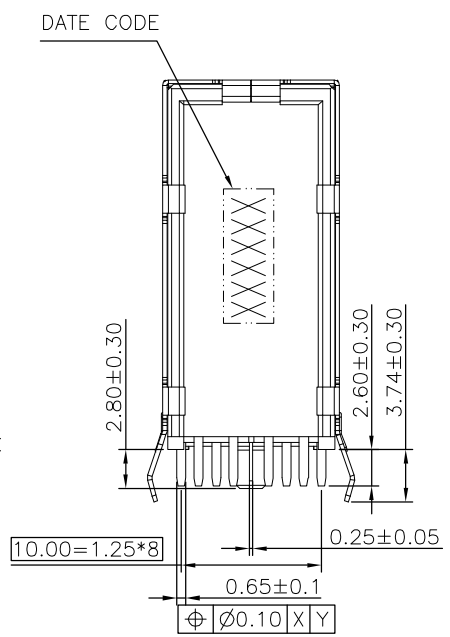
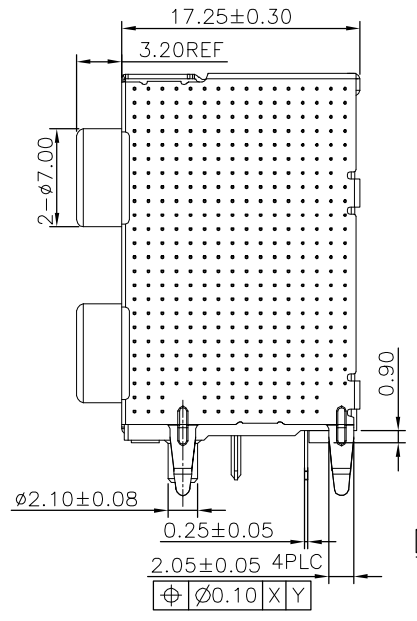
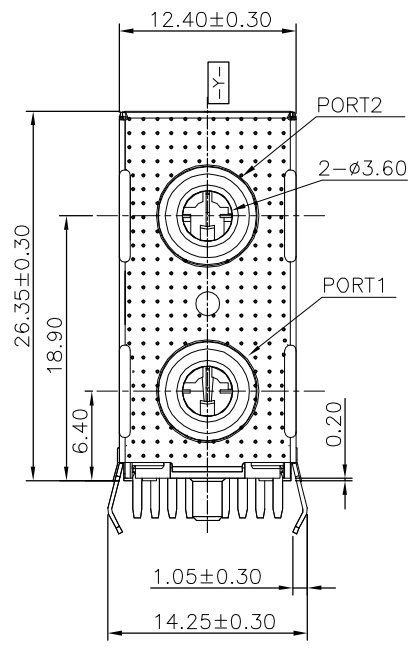


REV.	ECR/N NO./DESCRIPTION	DATE	DRAWN	CHECKED	APPROVE
1	SN15072	07/29'15	SAM	Vito	Barney
1A	SN15***	10/15'15	panglei	Vito	Barney
1B	SN15***	12/16'15	Vito	Vito	Gear



GENERAL TOLERANCES UNLESS SPECIFIED		PART NO. SEE TABLE	LOTES		
.X ± 0.35	.X° ± 3°				
.XX ± 0.25	.X° ± 2°	APPROVED BY Barney	TITLE ATX JACK 2 PORT		
.XXX ± 0.15	.XX° ± 1°	CHECKED BY Vito	DWG NO. AP-ABA-JAK-038		
CUSTOMER DRAWING		DRAWN BY Sam	SHEET 1 / 3	SCALE 1 : 1	REV 1B
SIZE A4	UNITS MM [INCH]				

NOTES:

1. MATERIALS:

HOUSING: PA66+30%GF,UL 94V-0,COLOR BLACK
 SPACER: PA46+30%GF,UL 94V-0,COLOR BLACK
 HAT: PBT+30%GF,UL94V-0
 SHIELD: SUS430,T=0.20mm
 TERMINALS: C2680,T=0.25mm
 GROUND TERMINAL: C2680,T=0.25mm

2. PLATING:

TERMINALS: NICKEL 50 u" MIN UNDERPLATED
 MATTE TIN 100 u" MIN ON SOLDER TAIL AREA
 Au ON CONTACT AREA-SEE TABLE
 GROUND TERMINALS: NICKEL 50 u" MIN UNDERPLATED
 MATTE TIN 100 u" MIN ON SOLDER TAIL AREA
 SHIELD: NICKEL 20 u" MIN AND TIN 50 u" MIN ON SOLDER TAIL AREA

3. WAVE SOLDER CAPABLE TO 245±5°C FOR 3±0.5S.

4. ROHS COMPLIANT

5. MECHANICAL PERFORMANCE.

INSERTION FORCE: 3.0kgf MAX.
 WITHDRAWAL FORCE: 0.3kgf MIN..

DURABILITY: 1500 CYCLES.

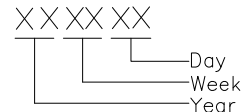
6. ELECTRICAL PERFORMANCE.

DIELECTRIC WITHSTANDING VOLTAGE: 500VAC
 INSULATION RESISTANCE: 1000MΩ MIN..
 CONTACT RESISTANCE: 50mΩ (INITIAL)
 100mΩ (AFTER LIFE TEST)

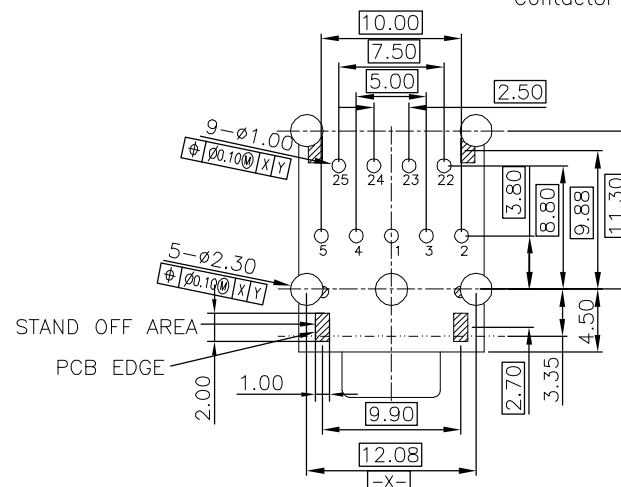
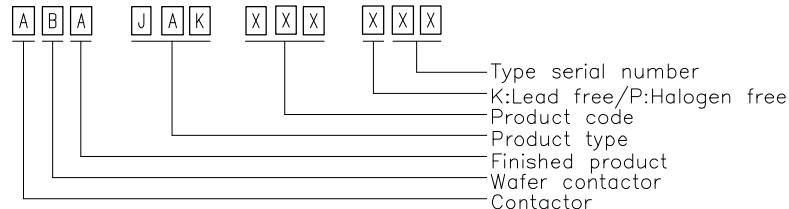
7. ENVIRONMENTAL CHARACTERISTICS.

STORAGE TEMPERATURE RANGE: -40°C ~ +85°C
 OPERATION TEMPERATURE: -25°C ~ +85°C

8. DATE CODE NOTE:



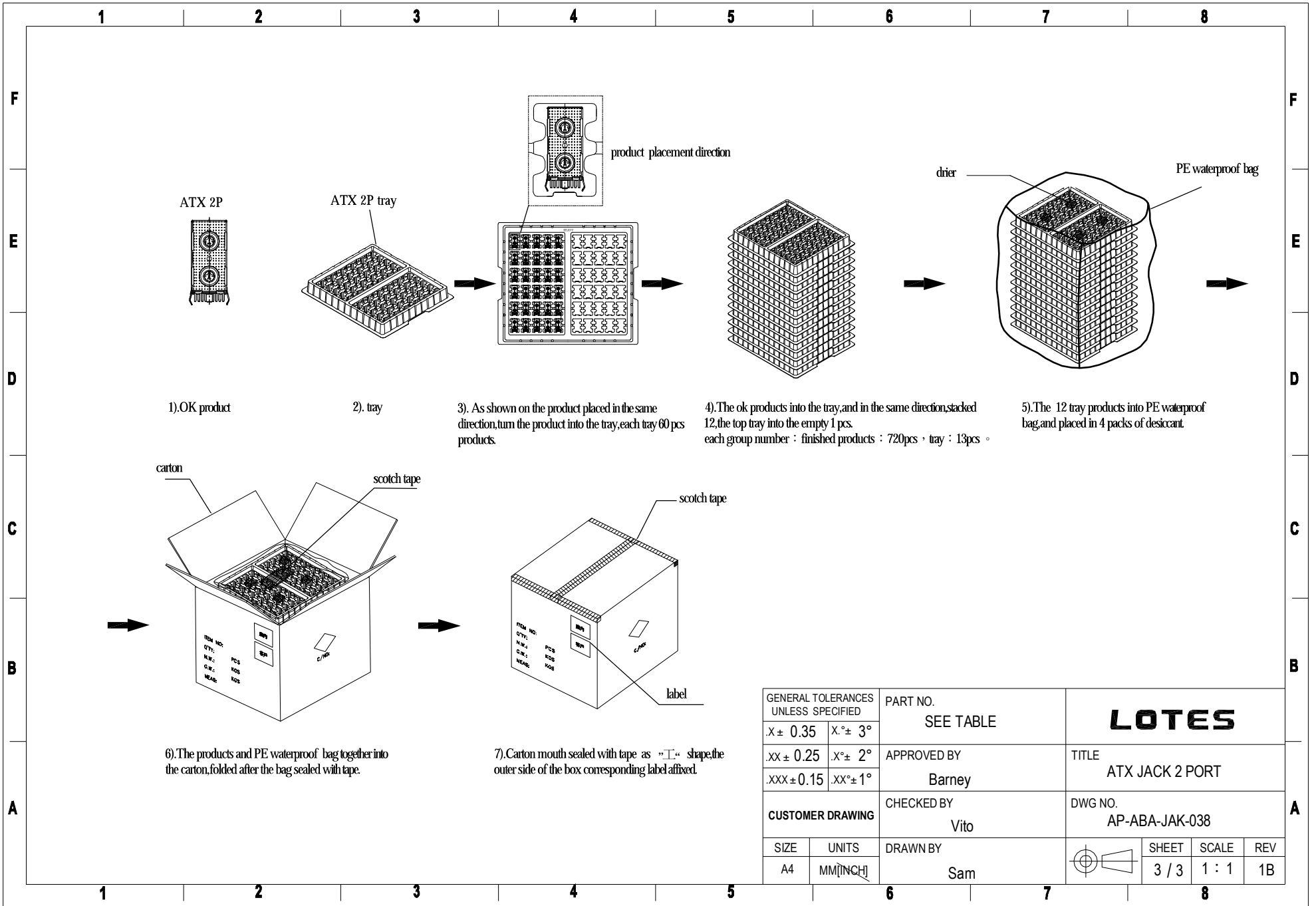
9. PRODUCT NUMBER NOTE:



TABLE

8	ABA-JAK-038-K45	GREEN 577C	RED 701C	Au 1u" min
7	ABA-JAK-038-K44	RED 701C	GREEN 577C	Au 1u" min
6	ABA-JAK-038-K43	GREEN 577C	BLUE 284C	Au 30u"min
5	ABA-JAK-038-K40	RED 701C	GREEN 577C	Au 15u" min
4	ABA-JAK-038-K39	GREEN 577C	BLUE 284C	Au 15u" min
3	ABA-JAK-038-K38	GREEN 577C	BLUE 284C	Au 1u" min
2	ABA-JAK-038-K35	BLACK	ORANGE 157C	Au 1u" min
1	ABA-JAK-038-K34	GRAY 422C	RED 701C	Au 1u" min
NO.	OLD PART NO.	PORT 1	PORT 2	CONTACT AREA

GENERAL TOLERANCES UNLESS SPECIFIED		PART NO. SEE TABLE	LOTES		
.X ± 0.35	X° ± 3°				
.XX ± 0.25	.X° ± 2°	APPROVED BY Barney	TITLE ATX JACK 2 PORT		
.XXX ± 0.15	.XX° ± 1°	CHECKED BY Vito	DWG NO. AP-ABA-JAK-038		
CUSTOMER DRAWING		DRAWN BY Sam	SHEET 2 / 3	SCALE 1 : 1	REV 1B
SIZE A4	UNITS MM [INCH]				



GENERAL TOLERANCES UNLESS SPECIFIED		PART NO. SEE TABLE	LOTES		
.X ± 0.35	.X° ± 3°				
.XX ± 0.25	.X° ± 2°	APPROVED BY Barney	TITLE ATX JACK 2 PORT		
.XXX ± 0.15	.XX° ± 1°	CHECKED BY Vito	DWG NO. AP-ABA-JAK-038		
CUSTOMER DRAWING		DRAWN BY Sam	SHEET 3 / 3	SCALE 1 : 1	REV 1B
SIZE A4	UNITS MM [INCH]				