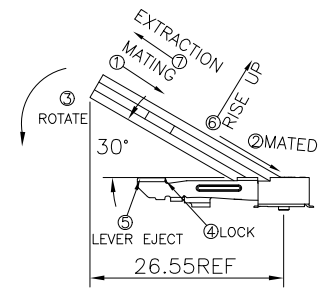
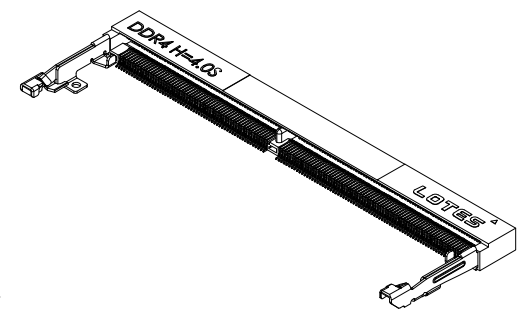
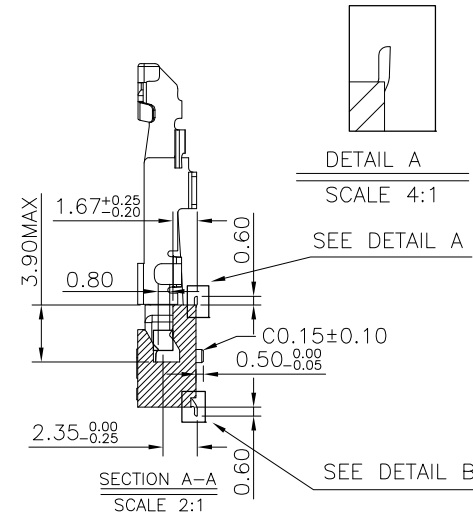
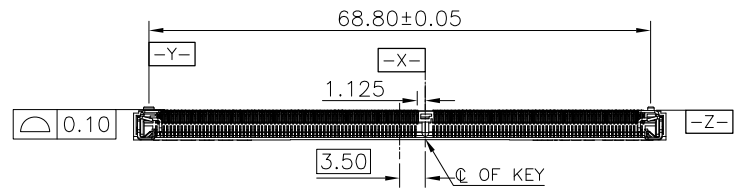
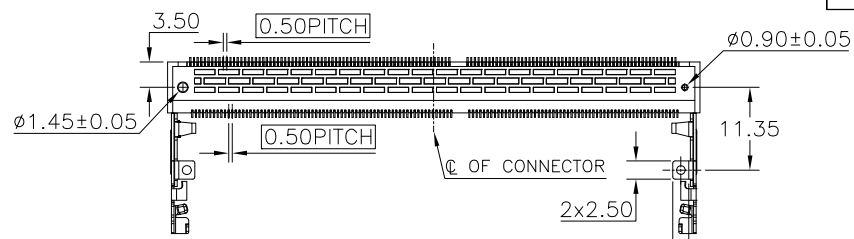
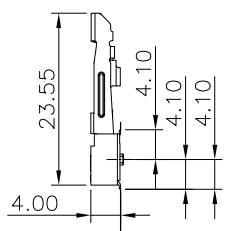
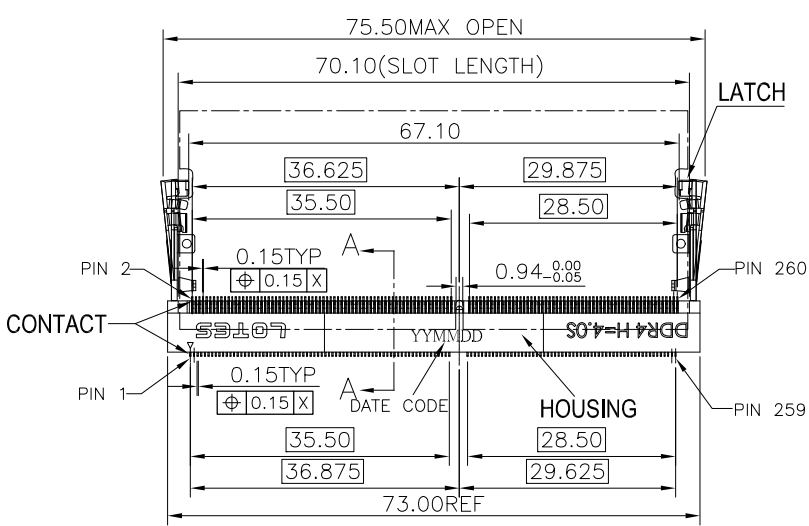


REV.	ECR/N NO./DESCRIPTION	DATE	DRAWN	CHECKED	APPROVE
E	RD140**	09/09'15	XU	Vito	Barney
F	RD140**	09/09'15	XU	Vito	Barney
G	RD140**	01/14'16	MENG	Vito	Barney



HOW TO MATE AND UNMATE
 MATE: ① → ④
 UNMATE: ⑤ → ⑦



GENERAL TOLERANCES UNLESS SPECIFIED		PART NO. SEE TABLE	LOTES		
X ± 0.35	X° ± 3°				
.XX ± 0.25	X° ± 2°	APPROVED BY Barney	TITLE SODDR4 4.0H 260 PIN STD TYPE		
.XXX ± 0.15	.XX° ± 1°	CHECKED BY Vito	DWG NO. AP-ADDR0205		
CUSTOMER DRAWING		DRAWN BY XU	SHEET 1 / 5	SCALE 1 : 1	REV G
SIZE A4	UNITS MM [INCH]				

NOTES:

1.MATERIALS:

HOUSING: LCP,UL 94V-0.

CONTACT: Brass C1065.

LATCH: STAINLESS STEEL SUS301.

2.FINISH:

1)CONTACT:UNDERPLATED NICKEL 50u"MIN,
PLATING ON SOLDER AREA:SEE TABLE
GOLD PLATED ON CONTACT AREA.(DETAL SEE TABLE)

2)LATCH:UNDERPLATED NICKEL 50u"MIN,MATTE TIN 100u"MIN.

3.ELECTRICAL PERFORMANCE

LLCR INITIAL 50mΩ MAX PER CONTACT.

FINAL ΔLLCR=20mΩ MAX

4.MECHANICAL PERFORMANCE,

MATING & UNMATING FORCE: 6.1 Kgf MAX.

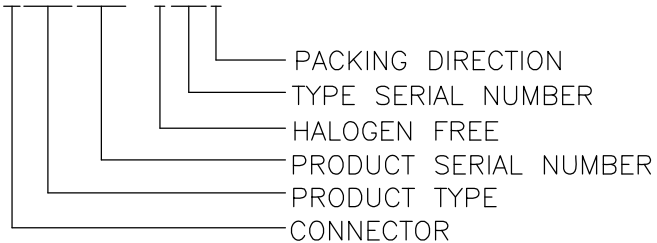
5.IR REFLOW:

THE PEAK TEMPRATURE ON THE BOARD SHALL BE
MAINTAINED FOR 10 SECONDS AT 260±5°C.

6. DC: XXXXXX



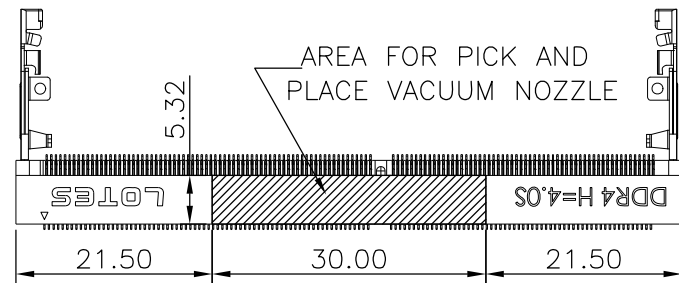
7.PRODUCT NUMBER NOTE:ADDR****-****



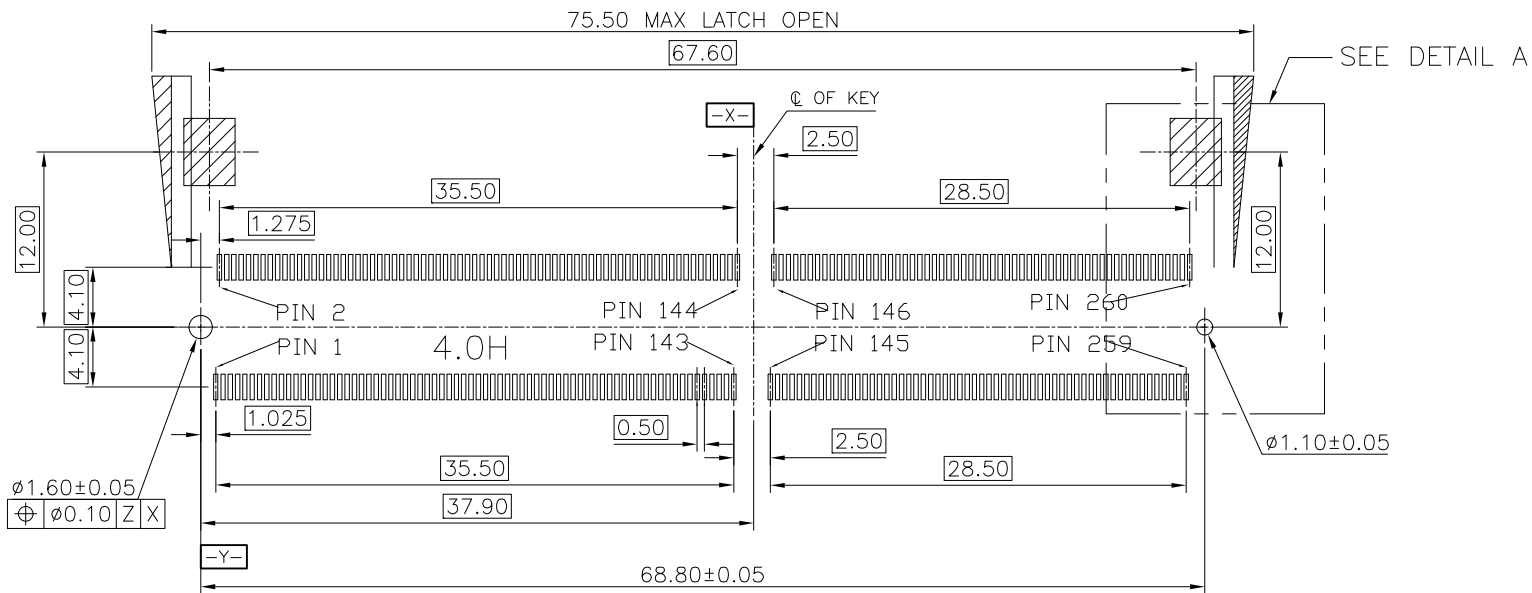
8.RoHS COMPLIANT.
HF COMPLIANT.

TABLE:

NO.	PART NO.	COLOR	DESCRIPTION
1	ADDR0205-P001A	BLACK	GOLD G/F ON CONTACT AREA GOLD G/F ON SOLDER AREA
2	ADDR0205-P002A	BLACK	GOLD 10u" ON CONTACT AREA GOLD G/F ON SOLDER AREA
3	ADDR0205-P003A	BLACK	GOLD 15u" ON CONTACT AREA GOLD G/F ON SOLDER AREA
4	ADDR0205-P004A	BLACK	GOLD 30u" ON CONTACT AREA GOLD G/F ON SOLDER AREA
5	ADDR0205-P005A	WHITE	GOLD G/F ON CONTACT AREA GOLD G/F ON SOLDER AREA
6	ADDR0205-P006A	WHITE	GOLD 10u" ON CONTACT AREA GOLD G/F ON SOLDER AREA
7	ADDR0205-P007A	WHITE	GOLD 15u" ON CONTACT AREA GOLD G/F ON SOLDER AREA
8	ADDR0205-P008A	WHITE	GOLD 30u" ON CONTACT AREA GOLD G/F ON SOLDER AREA



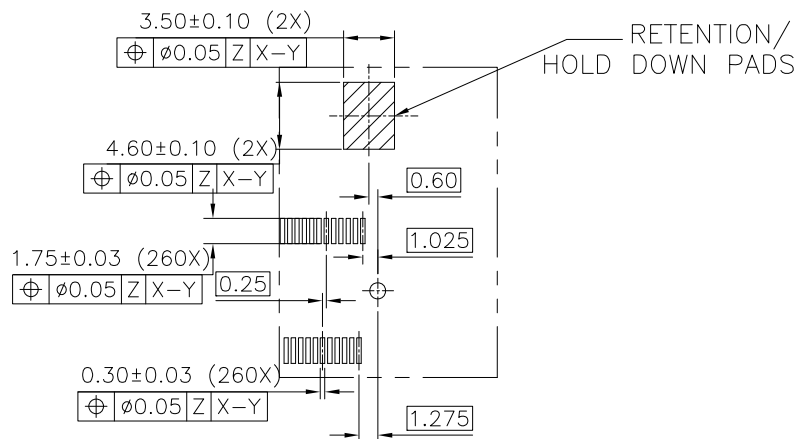
GENERAL TOLERANCES UNLESS SPECIFIED		PART NO. SEE TABLE	LOTES			
x ± 0.35	x.° ± 3°	APPROVED BY Barney				TITLE SODDDR4 4.0H 260 PIN STD TYPE
.XX ± 0.25	X.° ± 2°	CHECKED BY Vito	DWG NO. AP-ADDR0205			
.XXX ± 0.15	.XX.° ± 1°	DRAWN BY XU		SHEET	SCALE	REV
CUSTOMER DRAWING		A4		2 / 5	5 : 4	G



SCALE 2:1

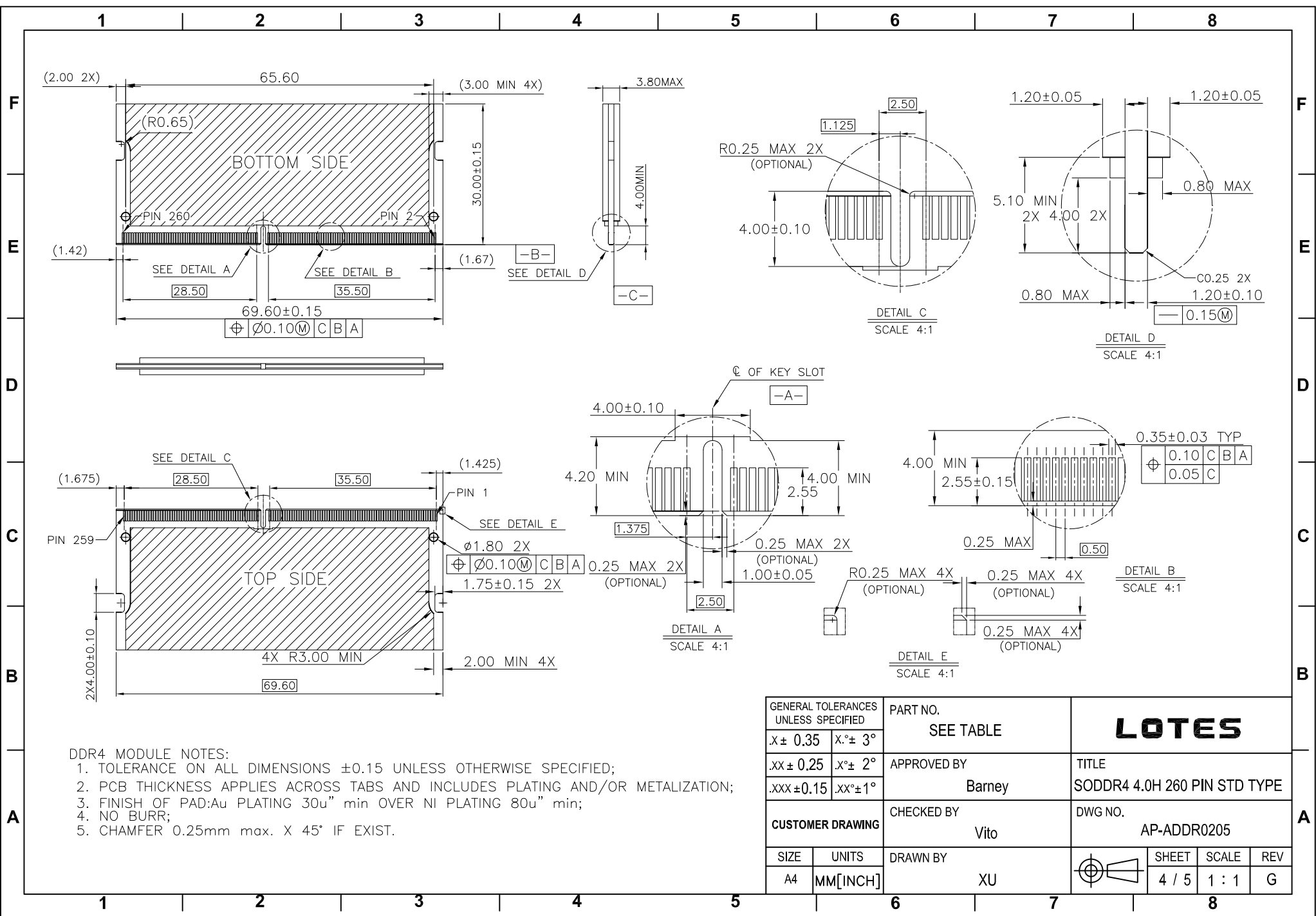
TOP VIEW

RECOMMEND PCB LAYOUT (STANDARD)
THE TOLERANCES UNLESS SPECIFIED IS ±0.05MM



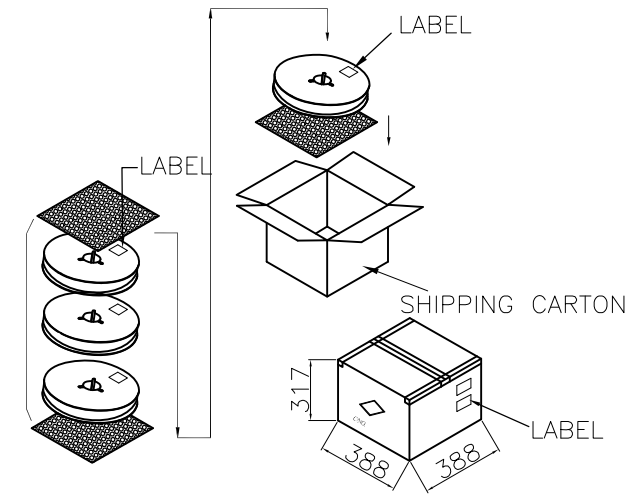
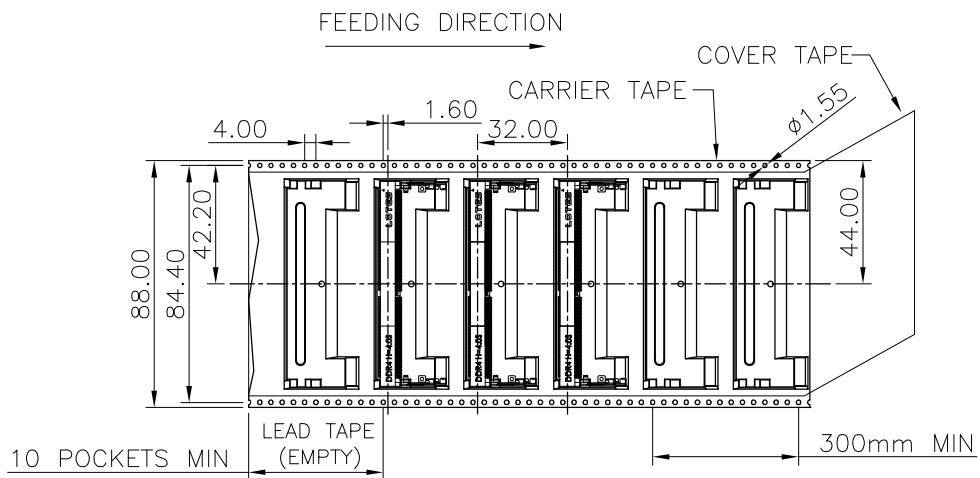
DETAIL A

GENERAL TOLERANCES UNLESS SPECIFIED		PART NO. SEE TABLE	LOTES		
X ± 0.35	X° ± 3°				
.XX ± 0.25	X° ± 2°	APPROVED BY Barney	TITLE SODDR4 4.0H 260 PIN STD TYPE		
.XXX ± 0.15	.XX° ± 1°	CHECKED BY Vito	DWG NO. AP-ADDR0205		
CUSTOMER DRAWING		DRAWN BY XU	SHEET 3 / 5	SCALE 1 : 1	REV G
SIZE A4	UNITS MM [INCH]				

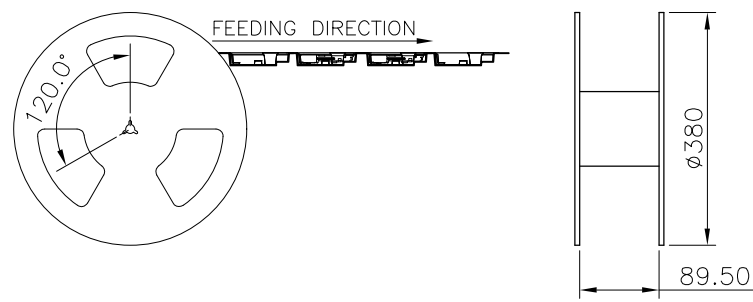


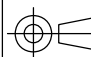
- DDR4 MODULE NOTES:
1. TOLERANCE ON ALL DIMENSIONS ± 0.15 UNLESS OTHERWISE SPECIFIED;
 2. PCB THICKNESS APPLIES ACROSS TABS AND INCLUDES PLATING AND/OR METALIZATION;
 3. FINISH OF PAD: Au PLATING 30u" min OVER NI PLATING 80u" min;
 4. NO BURR;
 5. CHAMFER 0.25mm max. X 45° IF EXIST.

GENERAL TOLERANCES UNLESS SPECIFIED		PART NO. SEE TABLE	LOTES								
$X \pm 0.35$	$X^\circ \pm 3^\circ$					APPROVED BY	TITLE				
$.XX \pm 0.25$	$X^\circ \pm 2^\circ$		Barney	SODDR4 4.0H 260 PIN STD TYPE							
$.XXX \pm 0.15$	$.XX^\circ \pm 1^\circ$	CHECKED BY	DWG NO.	<table border="1"> <tr> <td>SHEET</td> <td>SCALE</td> <td>REV</td> </tr> <tr> <td>4 / 5</td> <td>1 : 1</td> <td>G</td> </tr> </table>		SHEET	SCALE	REV	4 / 5	1 : 1	G
SHEET	SCALE	REV									
4 / 5	1 : 1	G									
CUSTOMER DRAWING		Vito	AP-ADDR0205								
SIZE	UNITS	DRAWN BY									
A4	MM [INCH]	XU									



- NOTES:
1. MATERIAL :
 - 1.1 CARRY TAPE: PS
 - 1.2 COVER TAPE: PET
 - 1.3 SHIPPING CARTON: CORRUGATED FIBER
 2. DIMENSION :
 - 2.1 REEL: W=88.0, $\phi A=380$
 - 2.2 SHIPPING CARTON: L=388, W=388, H=317 (INNER)
 3. QUANTITY :
 - 3.1 PRIMARY PACKING: 400 PCS/REEL
 - 3.2 SECONDARY PACKING: 3 REELS/CARTON(1200PCS)
 4. PEELING RESISTANCE: 20gf~120gf.
 5. PEELING SPEED: 300mm/minutes.



GENERAL TOLERANCES UNLESS SPECIFIED		PART NO. SEE TABLE	LOTES			
$x \pm 0.35$	$x^\circ \pm 3^\circ$					
$.xx \pm 0.25$	$x^\circ \pm 2^\circ$	APPROVED BY Barney	TITLE SODDR4 4.0H 260 PIN STD TYPE			
$.xxx \pm 0.15$	$.xx^\circ \pm 1^\circ$	CHECKED BY Vito	DWG NO. AP-ADDR0205			
CUSTOMER DRAWING		DRAWN BY XU		SHEET	SCALE	REV
SIZE A4	UNITS MM[INCH]			5 / 5	N/A	G