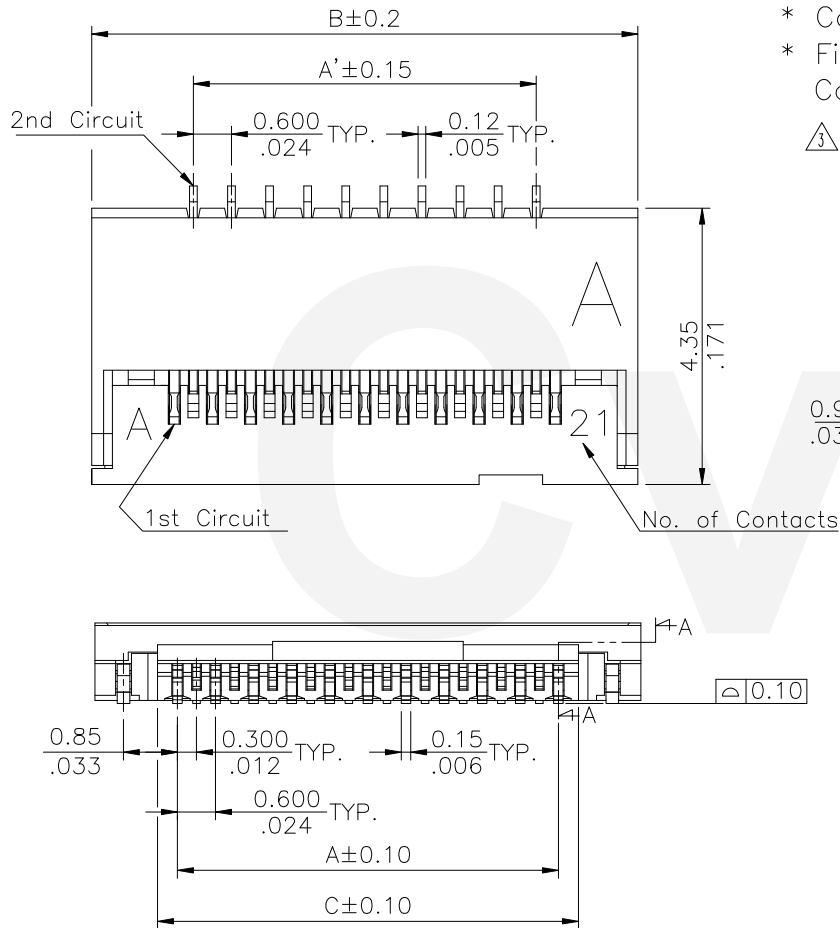


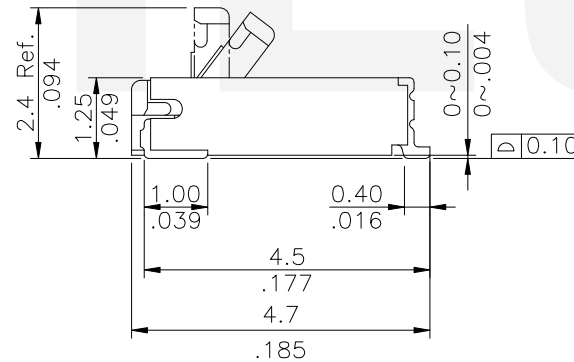
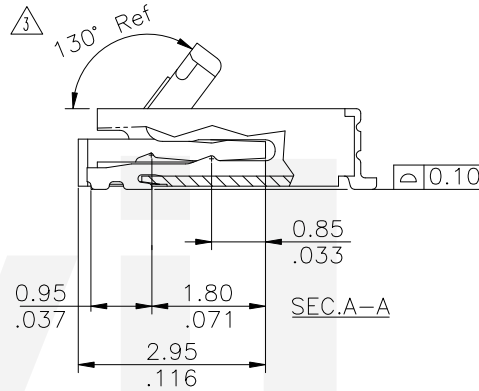
A = 0.30 * (No. of Contacts - 1)
 A1 = A - 0.6
 B = A + 2.6
 C = A + 0.63

4 * AVAILABLE IN 11、21、25、31、33、35、37
 5 39、41、45 CIRCUITS



Material :

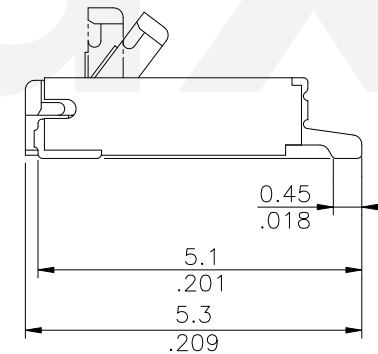
- * Body : High Temperature plastic UL 94V-0 Color Nature
- * Cover : High Temperature plastic UL 94V-0 Color Black
- * Contact : Copper alloy
- * Fixed tab : Copper alloy with Matte Tin plated



Ordering Code

CF30 ** 2 D 0 R * - NH
 ① ② ③ ④ ⑤ ⑥ ⑦ ⑧

- ① Series No.
- ② No. of Circuits
- ③ Plating code:
 2 = Gold flash over 0.76μm(30μ") Nickel
- ④ Contact style: D = Downside contact
- ⑤ Color: 0 = Nature
- ⑥ Packing option: R = Tape & Reel
- ⑦ Other option: A = Lead-Less Type
 B = Lead Type
- ⑧ Other option:
 NH = For Lead Free IR Processes & Halogen-Free



CF30**2DORA-NH

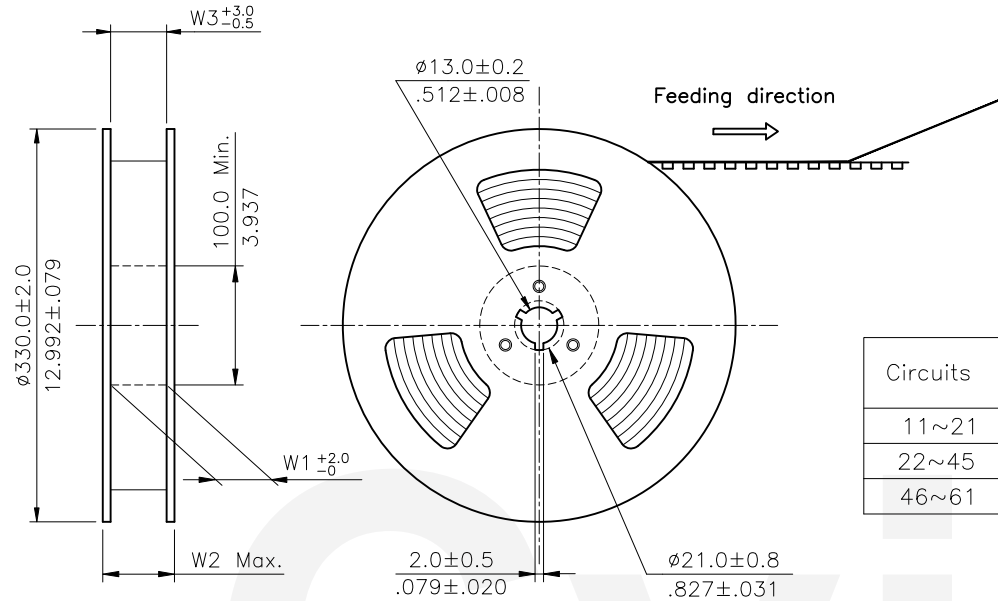
CF30**2DORB-NH

Halogen-Free

Lead Free Process

RoHS Compliant

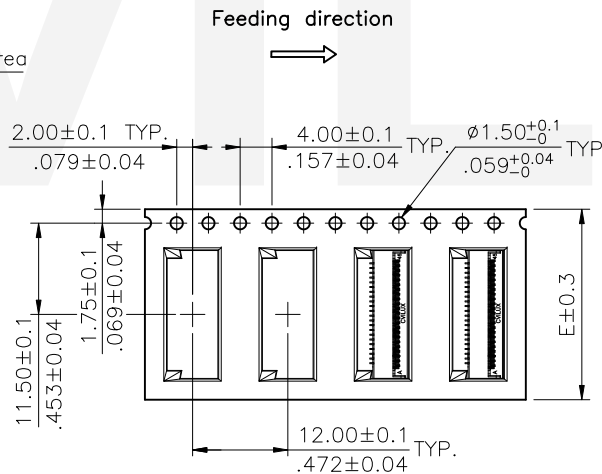
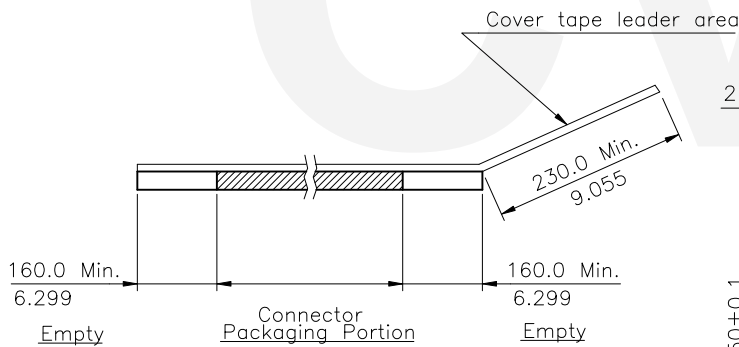
5	Sun	10/6-20'	ECNT120226			DATE	UNIT: mm / inch	TITLE: 0.30mm(.012") ZIF FPC ONE-TOUCH CONNECTOR (H= 1.25mm)	瀚荃股份有限公司 CviLux Corporation	
4	Karen	11/17-14'	ECNT114265/ECRT114082		DRAWN BY: Sun	10/07-20'	TOLERANCE UNLESS OTHERWISE SPECIFIED	MATERIAL:		DRAWING NO. CF3008SF
3	Sandy	6/18-08'	ECN08216		ENGINEER: Sun	10/07-20'	.X ± 0.15/.006 X' ± 1'	FINISH:		PART NO. CF30**2DOR*-NH
2	Sun	5/09-08'	ECN08210		CHECKED BY: Eisley	10/08-20'	.XX ± 0.10/.004 X' ±		SCALE 8 / 1	
SYM	NAME	DATE	REVISIONS		APPROVED BY: Eisley	10/08-20'	.XXX ± 0.05/.002 X' ±		SHEET 1 OF 3	



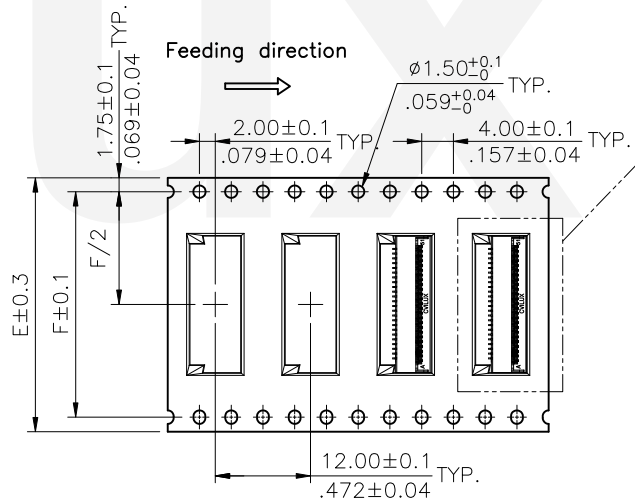
NOTE :

1. 10 sprocket hole pitch cumulative tolerance ± 0.20 .
2. Carrier camber is within 1 mm in 250mm.
3. Material : Clear, Transparent Polystyrene Alloy (UP-5200).
4. All dimensions meet EIA-481-C requirements.
5. Thickness : 0.40 ± 0.05 mm.
6. Packing length per 22" reel : 92.5 Meters.
7. Component load per 13" reel : 2400 pcs.

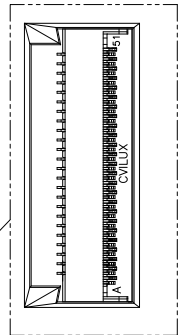
Circuits	Dimension					Packing (Reel/Caton)
	E	F	W1	W2	W3	
11~21	16.0(.630)	—	16.5(.650)	22.5(.886)	16.5(.650)	11
22~45	24.0(.945)	—	24.5(.965)	30.5(1.201)	24.5(.965)	9
46~61	32.0(1.260)	28.40(1.118)	32.5(1.280)	38.5(1.516)	32.5(1.280)	7



WIDTH : 16.24 mm Carrier



WIDTH : 32 mm Carrier



RoHS Compliant

SYM	NAME	DATE	REVISIONS	APPROVED BY:	DATE	UNIT: mm / inch	TITLE: TAPE & REEL PACKAGING FOR CF30 SERIES	瀚荃股份有限公司 CviLux Corporation		
5	Sun	10/6-20'	ECNT120226					MATERIAL: FINISH:		
4	Karen	11/17-14'	ECNT114265/ECRT114082	DRAWN BY: Sun	10/07-20'	TOLERANCE UNLESS OTHERWISE SPECIFIED				
3	Sandy	6/18-08'	ECN08216	ENGINEER: Sun	10/07-20'	.X ± .X' ± 1"				
2	Sun	5/09-08'	ECN08210	CHECKED BY: Eisley	10/08-20'	.XX ± .X' ±				
				APPROVED BY: Eisley	10/08-20'	.XXX ± .XX' ±				
DRAWING NO. CF3008SF								PART NO. CF30**2D0R*-NH		
SCALE								SHEET 3 OF 3		