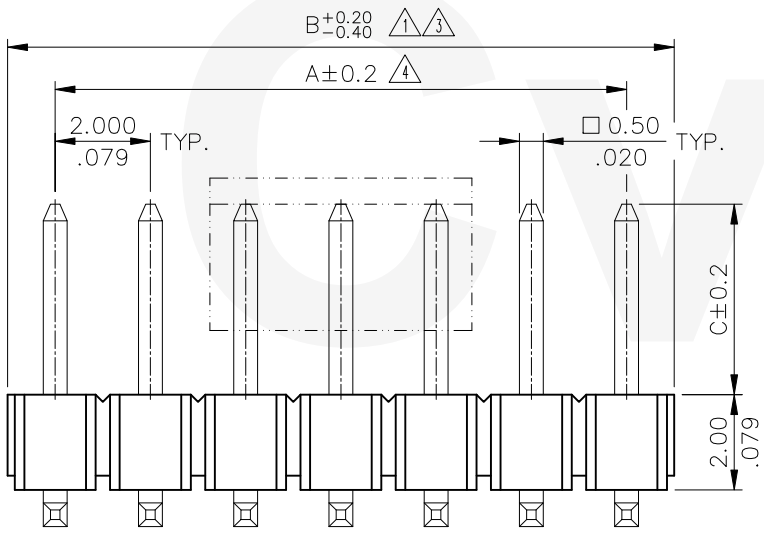
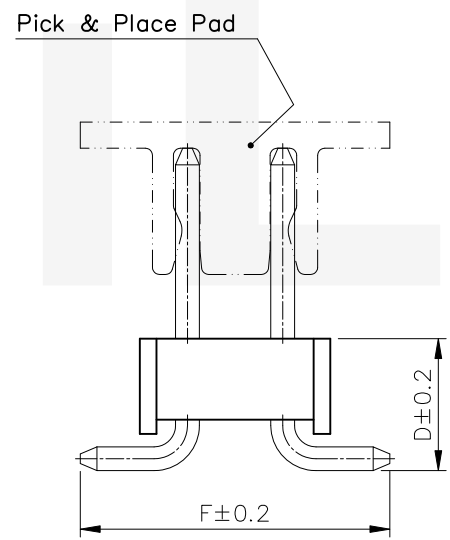


Recommended P.C. Board Layout



DIM. A = 2.00 X No. of Spaces
 DIM. B = DIM. A + 2.00
 * Available in 4 through 80 Citsuits



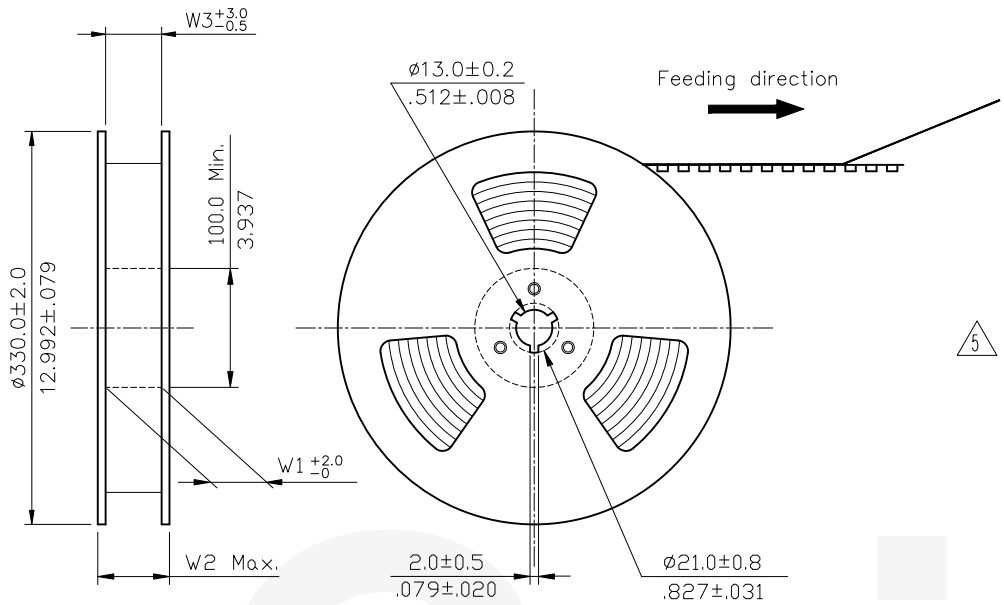
Notes:
 * Material:
 Insulator: Nylon 6T With 30% GF.
 UL 94V-0 Color Black
 Square Pin: Brass
 Pick & Place Pad:
 Nylon 6T UL 94V-0, Color Black
 △ * Pin overall Length 30.0mm Max.

Ordering Code:
 CH71 * * M 1 ** - 0 P
 ① ② ③ ④ ⑤ ⑥ ⑦ ⑧

- ① Series No.
- ② No. of Contact: 04 to 80
- ③ Plating code:
 1=3.05 μm(120 μ") Min. Tin
 over 0.79 μm(30 μ") Nickel
 2=Gold Flash plated over
 1.27 μm(50 μ") Nickel
 3=0.38 μm(15 μ") Gold plated
 over 1.27 μm(50 μ") Nickel
 4=0.76 μm(30 μ") Gold plated
 over 1.27 μm(50 μ") Nickel
- ④ Tail & Mounting Style:
 M=Straight SMT Type
- ⑤ Insulator Material & Color:
 1=Nylon 6T , Color Black
- ⑥ Option Code:
 See Table PDF. File No. CH7117T
- ⑦ Pin Size: 0=Original design
- ⑧ 0=Without Pick & Place Pad
 (Tube packaged)
 P=With Pick & Place Pad
 (Tape & Reel packing)

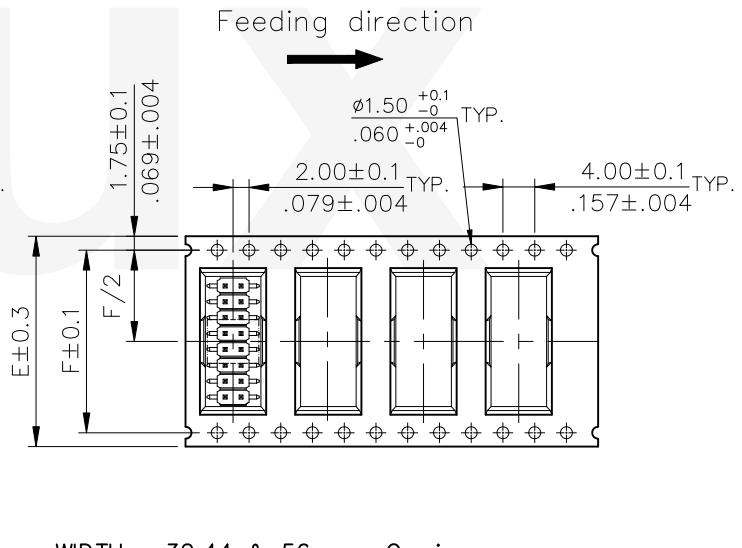
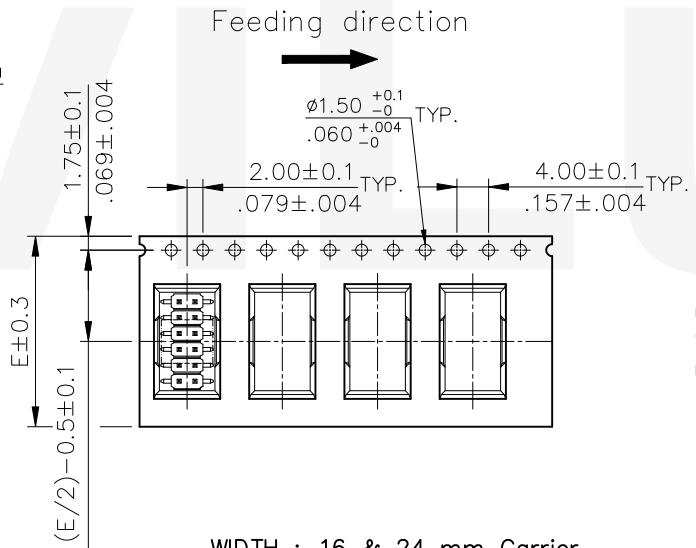
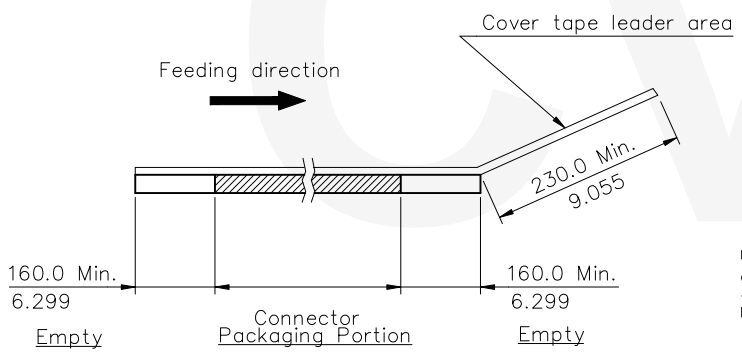
RoHS Compliant

△5	Yushu	7/09/19'	ECRB119043/ECNT119173			DATE	UNIT: mm / inch	TITLE: 2.00mm(.079") DUAL ROW SURFACE BOARD MOUNT PIN HEADER	 瀚荃股份有限公司 CviLux Corporation		
△4	Sun	4/12/19'	ECNT119093		DRAWN BY: Yushu	7/09-19'	TOLERANCE UNLESS OTHERWISE SPECIFIED	MATERIAL:		DRAWING NO. CH7117SH	PART NO. CH71***M1**-0*
△3	Aaron	10/21-16'	ECNT116250/ECRB116072		ENGINEER: Sun	7/10-19'	.X ± 0.25/.010 X' ± 1'	FINISH:		SCALE 6 / 1	SHEET 1 OF 2
△2	Sun	1/19/06'	ECN06019		CHECKED BY: Eisley	7/12-19'	.XX ± 0.15/.006 .X' ±				
SYM	NAME	DATE	REVISIONS		APPROVED BY: Eisley	7/12-19'	.XXX ± 0.10/.004 .XX' ±				



- NOTE :
- * Reel Material : Corrugated Paper
 - * Carrier Material : Clear, Conductive Polystyrene Alloy
 - * Cover Tape Material : Polyester
 - * Cover Tape Peel Strength : 0.1N – 1.3N
 - * Carrier camber is within 1mm in 100mm
 - * All dimensions meet EIA-481-C requirements.

Circuits	Dimension				
	E	F	W1	W2	W3
4-6	16.0(.630)	-	16.5(.650)	22.5(.886)	16.5(.650)
8-16	24.0(.945)	-	24.5(.965)	30.5(1.200)	24.5(.965)
18-20	32.0(1.260)	28.40(1.118)	32.5(1.280)	38.5(1.516)	32.5(1.280)
22-34	44.0(1.732)	40.40(1.596)	44.5(1.752)	50.5(1.988)	44.5(1.752)
36-44	56.0(2.205)	52.40(2.063)	32.5(1.280)	38.5(1.516)	32.5(1.280)



WIDTH : 16 & 24 mm Carrier

WIDTH : 32.44 & 56 mm Carrier

RoHS Compliant

REV	SYM	NAME	DATE	REVISIONS	APPROVED BY:	DATE	UNIT: mm / inch	TITLE: 2.00mm(.079") DUAL ROW SURFACE BOARD MOUNT PIN HEADER	MATERIAL:	FINISH:	DRAWING NO. CH7117SH	PART NO. CH71***M1**-0*	SHEET 2 OF 2
5	Yushu	7/09/19'	ECRB119043/ECNT119173										
4	Sun	4/12/19'	ECNT119093		Yushu	7/09-19'							
3	Aaron	10/21-16'	ECNT116250/ECRB116072		Sun	7/10-19'							
2	Sun	1/19/06'	ECN06019		Eisley	7/12-19'							
					Eisley	7/12-19'							

2019.07.18
ISSUED

瀚荃股份有限公司
CviLux Corporation