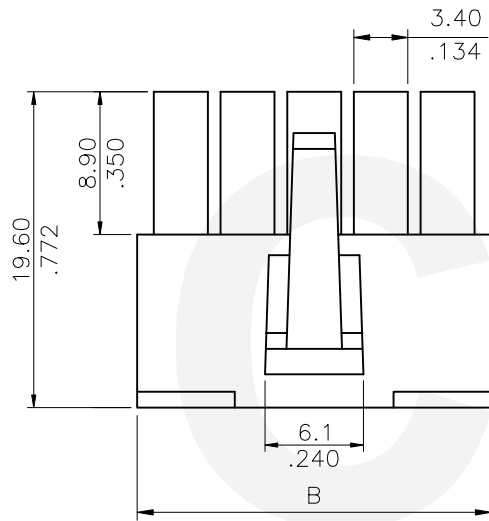


Material:
* Insulation: Nylon 66, Color Nature

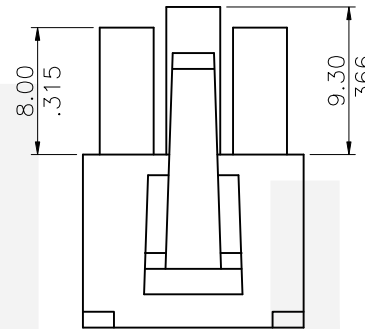
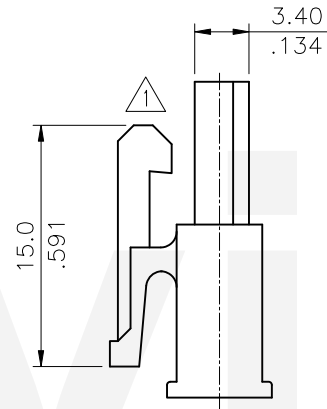
Ordering Code:

CP-01 1 ** 0 * S
① ② ③ ④ ⑤ ⑥

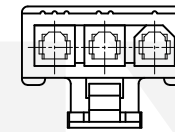
- ① Series No.
- ② Contact Type: 1= Receptacle
- ③ No of Circuits:
- ④ Plating Code: 0= Non plating
- ⑤ Variation: 1= UL 94V-2
3= UL 94V-0
- ⑥ Option: S= Single Row



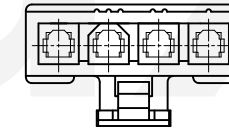
FOR 4 , 5 CIRCUITS



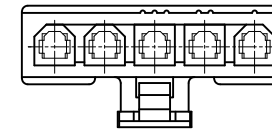
FOR 3 CIRCUITS



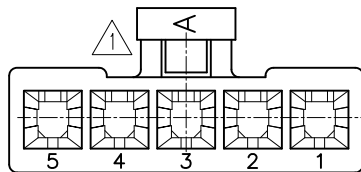
3 CIRCUITS



4 CIRCUITS



5 CIRCUITS



| Circuits | Dimension | |
|----------|-------------|------------|
| | A | B |
| 3 | 8.40(.331) | 13.8(.543) |
| 4 | 12.60(.496) | 18.0(.709) |
| 5 | 16.80(.661) | 22.2(.874) |

CIRCUIT PATTERN SCHEDULE

Halogen-Free

| | | | | | | | | |
|-----|-------|-----------|-----------------------|--|---------------------|--------------------------------------|---|--------------------------------|
| ④ | | | | | DATE | UNIT: mm / inch | TITLE: | 瀚荃股份有限公司 CviLux Corporation |
| ③ | | | | | DRAWN BY: Karen | TOLERANCE UNLESS OTHERWISE SPECIFIED | 4.20mm PICH RECEPTACLE CONN. (SINGLE ROW) | |
| ② | | | | | ENGINEER: Sun | .X ± 0.38/.015 X' ± 1' | MATERIAL: | DRAWING NO. CP0178SB |
| ① | Karen | 11/10-20' | ECNT120261/ECRB120046 | | CHECKED BY: Eisley | .XX ± 0.25/.010 .X' ± | FINISH: | PART NO. CP-011**0*S |
| SYM | NAME | DATE | REVISIONS | | APPROVED BY: Eisley | .XXX ± 0.10/.004 .XX' ± | | SCALE 2 / 1 |
| | | | | | | | | SHEET 1 OF 1 |

CVILUX CORP
 2020.11.26
 ISSUED