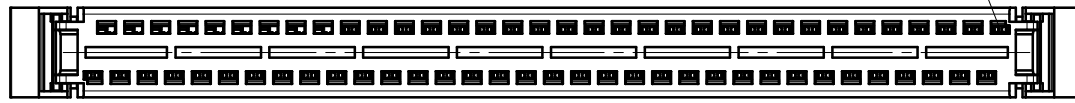
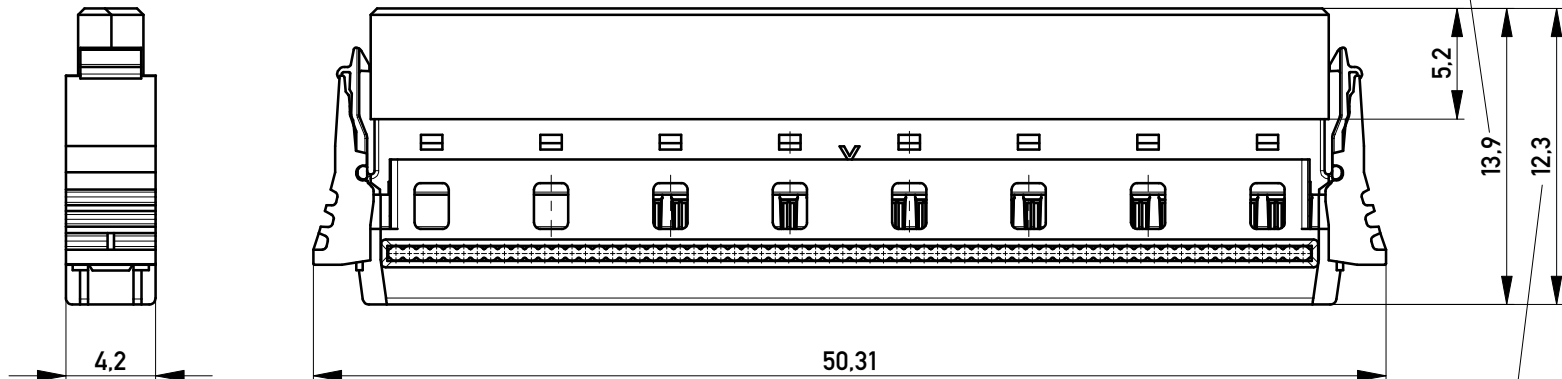


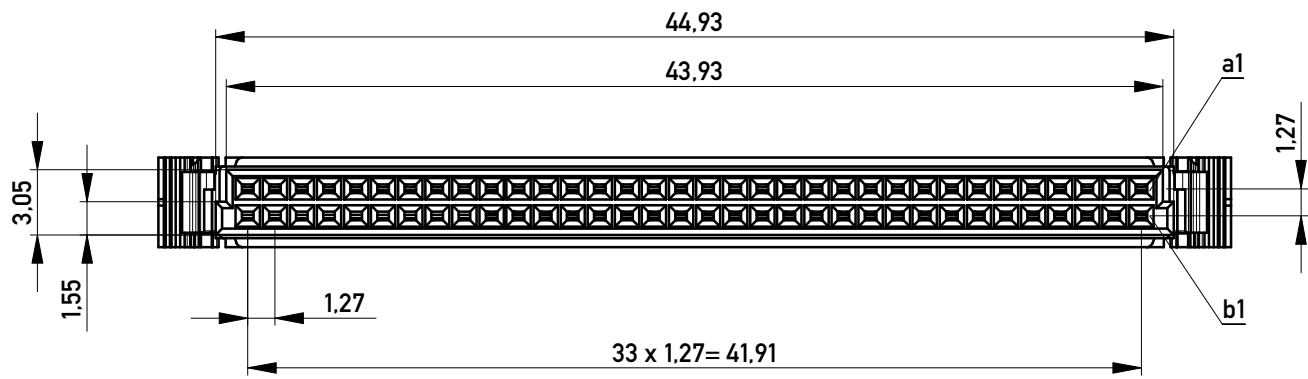
rote Kennader auf b1
red edge at b1



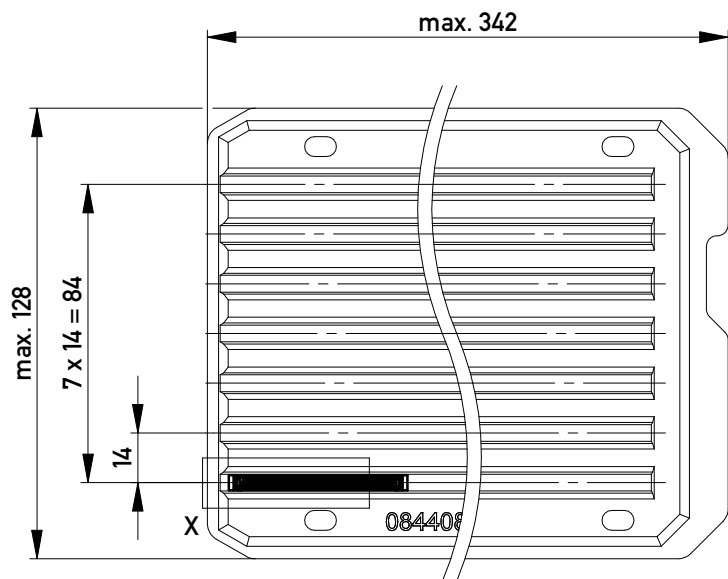
mit aufgesetzter Drahtführung (Anlieferungszustand)
wire guide losse mounted (state at time of supply)



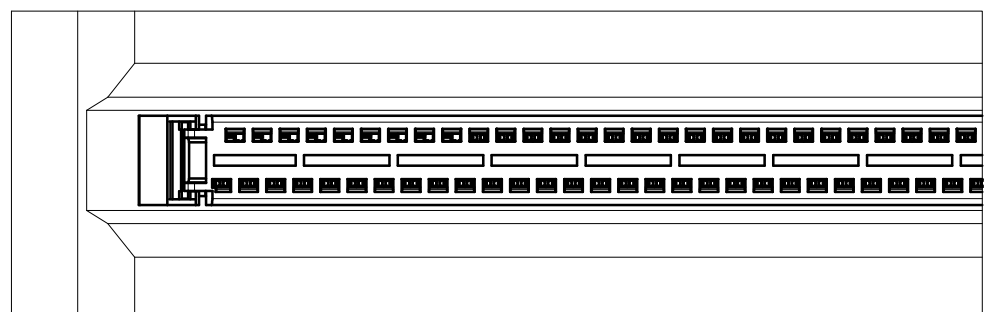
Drahtführung verpresst
wire guide pressed on



Verpackt in Tray - tray packaging
Verpackungseinheit 42 Stück - packaging unit 42



Einzelheit X
detail X



Federleiste mit Schneidklemmanschluß Bauform B, BA 6
mit Verriegelungsmechanismus (angespritzt)

IDC Female Connector Type B with Locking Latches
(formed on), BA 6

Copyright by ERNI GmbH Proprietary notice pursuant to ISO 16016 to be observed.	Information:	Tolerances	Scale 3:1		
	All rights reserved. Only for Information. To ensure that this is the latest version of this drawing, please contact one of the ERNI companies before using.	Subject to modification without prior notice. Drawing will not be updated.	 All Dimensions in mm	Designation Federleiste SMC-B, SKV 68-pol. <i>Female SMC-B, SKV 68 contacts</i>	
	c Index	23.05.2014 Date	 www.ERNI.com	214348 Class SMCB	I A3