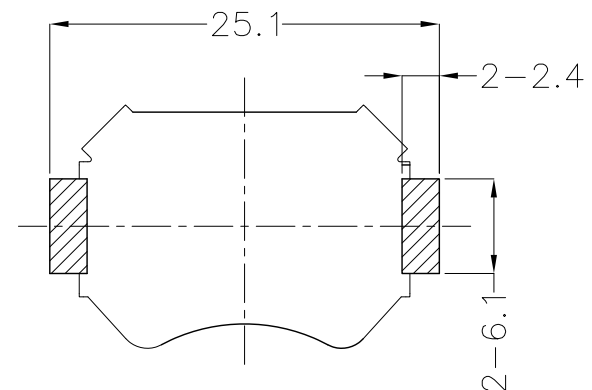
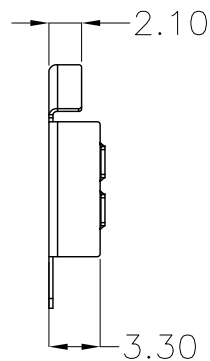
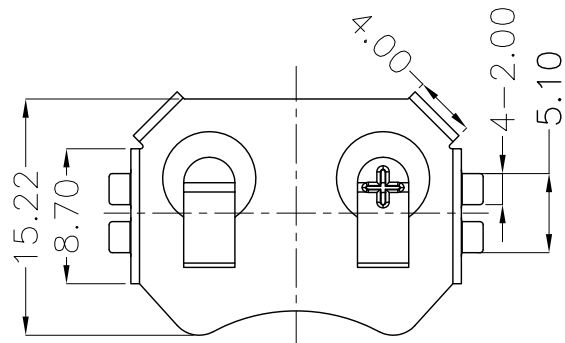
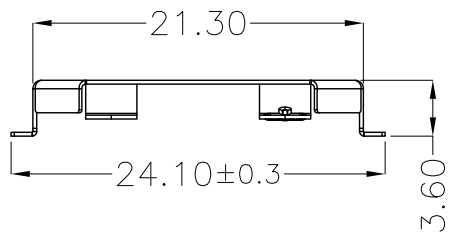




REV.	ECN NO.	REVISED	DATE



PCB Layout Diagram  
Top View



工程部  
2017-07-20  
ZW DANG

UNLESS OTHERWISE SPECIFIED TOLERANCES		<b>MYOUNG 美阳</b> <a href="http://www.meiyangdz.com">www.meiyangdz.com</a>					
DECIMALS: X :±0.30 X.X :±0.25 X.XX :±0.20 X.XXX :±0.10	ANGLES: X :±1° X.X :±0.5°	DSND	YangFeng	DATE	2017-07-20	TITLE:	
WEIGHT: 0.74g		CHKD	ZhouRuicai	DATE	2017-07-20	电池扣CR2032-P28(24.1)	
SHEET 1 OF 1		APVD	XueShunyong	DATE	2017-07-20	PART NO.:	
NO.		SCALE: 2:1	SIZE: A4	VIEW:	MY-2032-12		
1	TERMINAL(+)	1	PHOSPHOR BRONZE, T=0.25mm	Ni Plating	DRAW NO.:MY-CP-0120		
	PART NAME	Q'TY	MATERIAL	PLATING & COLOR	UNIT: mm	REV.: A/0	OBJECT: MY

1	TERMINAL(+)	1	PHOSPHOR BRONZE, T=0.25mm	Ni Plating
	PART NAME	Q'TY	MATERIAL	PLATING & COLOR