



REV.	ECN NO.	REVISED	DATE

NOTE:

1.MATERIAL:

- a.HOUSING:PA10T UL94V-0
- b.CONTACT:PHOSPHOR BRONZE  
(SURFACE PLATING: Sn100u"-120u")  
SEE ORDERING INFORMATION

2.ELECTRIC:

- a.CONTACT RESISTANCE: 30 MILLIOHMS MAX
- b.INSULATION RESISTANCE: 1000 MEGA OHMS MIN
- c.DIELECTNIC VOLTAGE: 500V AC ONE SEC LEVEL
- d.OPERATING TEMPERATURE: -55°C~ +85°C

ORDERING INFORMATION

**BS-24-A\*\*\*018**

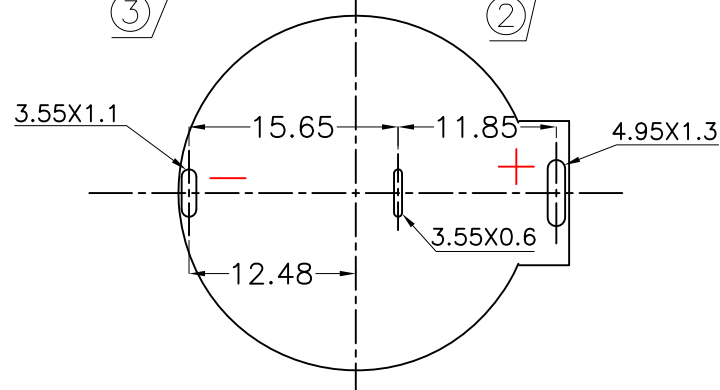
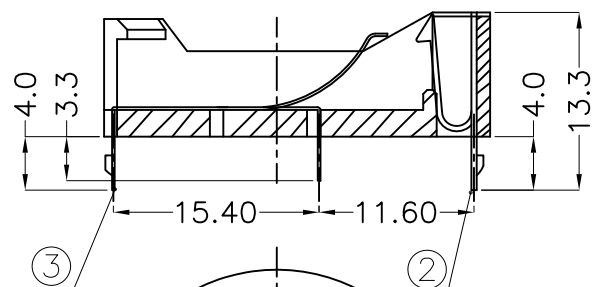
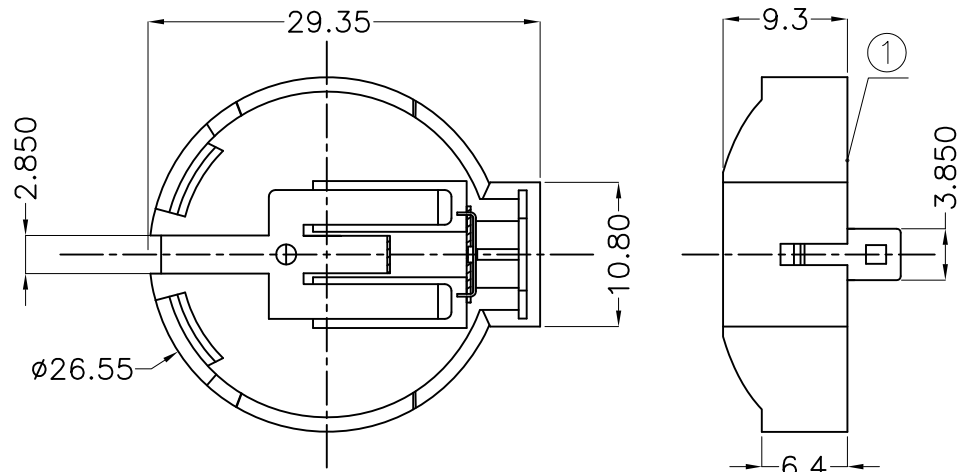
电池座系列

BS-24系列

DIP 90° TYPE

PLATING:  
A-Au1U"  
J-Ni100U"~120U"  
K-Sn100U"~120U"

MATERIAL:  
1A-PBT BLACK  
1B-PA66 BLACK  
2A-PPA BROWN  
2B-PPA BLACK  
3A-PPS BROWN  
3B-PPS BLACK  
4A-LCP WHITE  
4B-LCP BLACK  
5A-PA10T BLACK



PCB Layout Diagram  
Top View

3	TERMINAL(-)	1	PHOSPHOR BRONZE, T=0.20mm	Sn Plating
2	TERMINAL(+)	1	PHOSPHOR BRONZE, T=0.40mm	Sn Plating
1	HOUSING	1	PA10T	BLACK
NO.	PART NAME	Q'TY	MATERIAL	PLATING & COLOR

UNLESS OTHERWISE SPECIFIED TOLERANCES		<b>MYOUNG 美阳</b> www.meiyangdz.com			
DECIMALS: X :±0.30 X.X :±0.25 X.XX :±0.20 X.XXX :±0.10	ANGLES: X :±1° X.X :±0.5°	DSND	YangFeng	DATE	2019-06-17
WEIGHT: 1.8g		CHKD	ZhouRuicai	DATE	2019-06-17
SHEET 1 OF 1		APVD	XueShunyong	DATE	2019-06-17
SCALE: 3:1		SIZE: A4	VIEW:	TITLE: BS-2450-3 DIP 3PIN	
UNIT: mm		REV.: A/0	OBJECT: MY	PART NO.: BS-24-A5AK018	
				DRAW NO.:WD-CP-0058	