

Note:

1. Material:

* Insulation: Nylon 6T+30% G.F.
UL94V-0 (Halogen-Free)

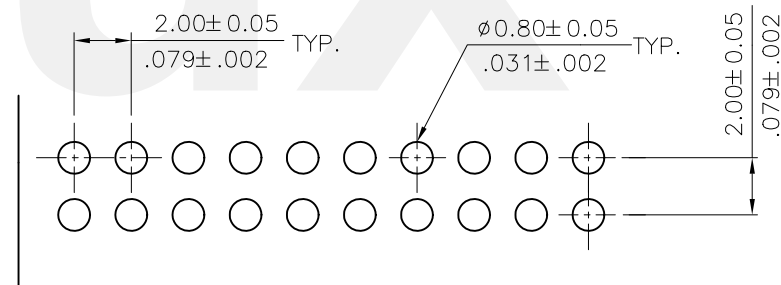
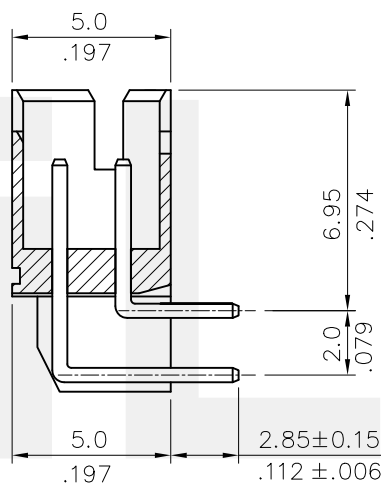
* Contact: Brass

2. For Lead Free Wave flow Process

Ordering Code:

CI01 ** P * H D 0 - NH - M
① ② ③ ④ ⑤ ⑥ ⑦ ⑧ ⑨

- ① Series No.
- ② No. of Circuits
- ③ Contact type: P= Pin Header
- ④ Plating option:
1= 3.05μm (120μ") Matte Tin
over 0.76μm(30μ") Nickel
2= Gold Flash plated over
1.27μm(50μ") Nickel
- ⑤ Type: H=Right angle
- ⑥ Other Option: D= Dual Row Type
- ⑦ Color: 0=Nature
- ⑧ -NH= For Lead Free Wave flow Process
and Halogen-Free
- ⑨ -M= Solder tail length 2.85mm for PCB
requirement



Recommended P.C. Board Layout

A = 2.0 x (No. of Circuits/2-1)

B = A + 3.9

C = A + 2.7

* Available in 6 through 34 circuits

Halogen-Free

Lead Free Process

RoHS Compliant

④						DATE	UNIT: mm / inch	TITLE:	
③					DRAWN BY: Karen	11/25-16'	TOLERANCE UNLESS OTHERWISE SPECIFIED	2.00mm PIN HEADER DIP TYPE	
②					ENGINEER: Sun	11/28-16'	.X ± 0.30/.012 X' ± 1'	MATERIAL:	
①					CHECKED BY: Eisley	12/01-16'	.XX ± 0.20/.008 .X' ±	CUSTOMER: ACL1058	
SYM	NAME	DATE	REVISIONS		APPROVED BY: Eisley	12/01-16'	.XXX ± 0.10/.004 .XX' ±	DRAWING NO. CI01252SA	
							SCALE 3 / 1	SHEET 1 OF 1	