

8

7

6

5

4

3

2

1

REV	DESCRIPTION	DRAWING	DATE
A	INITIAL RELEASE	LIZIRU	2020.01.19

A

A

B

B

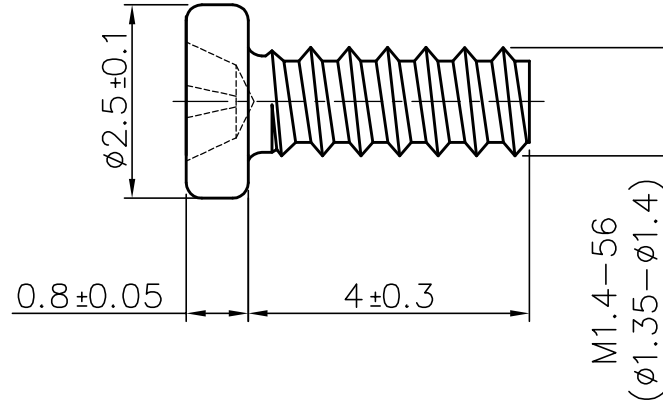
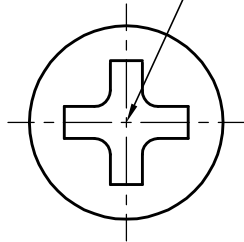
C

C

D

D

CROSS RECESS No.00



- Remark:
- Free of all burrs and sharp edges.
 - Heat treatment:
Case hardness:HV400-600;
Core hardness:HV270-380.
 - Per customer description.

SS-innovation Technology Co.,LTD

General tolerances for linear and angular dimensions without individual tolerance indications: ISO 2768-m Third angle projection 	Cust. Code		Name		Screw		
	Material		C1018		Description		
	Drawing		Finish		Cust. P/N		
	Checked		Unit		F/N		
	Approval		Page		Draw. No		
		mm		Scale		10:1	
		1 of 1		PL38-005		Rev. C	
				C2683817		Rev.	
				1CB1.4X4X2.5X0.8-SLZ2H-01			

8

7

6

5

4

3

2

1

E

E