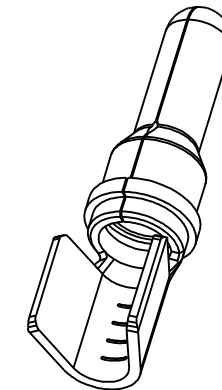
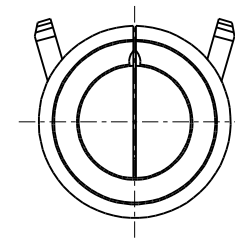
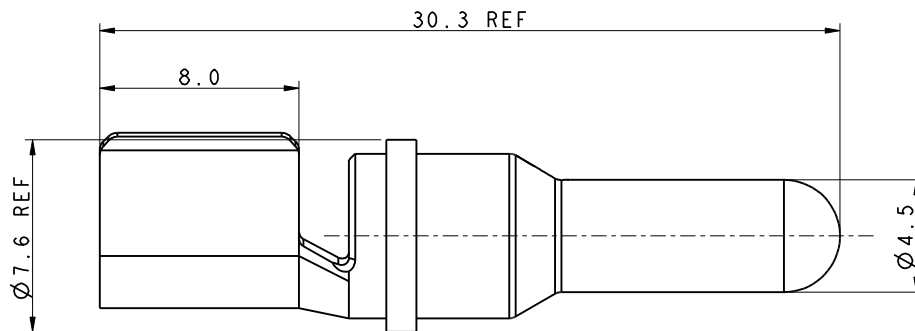


REV	ECN	DESCRIPTION	DATE	MODIFIED
A	C2569	RELEASE	Nov-07-17	Rock
B	C2711	ADD 6MM^2 WIRE	Jan-29-18	Rock

Amphenol PCDSZ
ORIGINAL
PDF Format
R&D



SCALE 3:1

NOTES:

1. MATERIAL: COPPER, T=0.8mm
2. PLATING: SILVER FINISHED
3. WIRE RANGE: 6-10mm²
4. CURRENT CARRYING CAPACITY: 60A(10mm²), 40A(6mm²)
5. CONTACT RESISTANCE: <2mΩ
6. 1000PCS PER REEL
7. ROHS COMPLIANCE

安费诺精密连接器(深圳)有限公司
Amphenol PCD Shenzhen

受控文件

2018年2月7日

C-C3100235011

C-C3100235011

DIMENSIONS	TOLERANCES	PROJECTION	TITLE		
ANSI Y14.5M UNITS: MM Pro/E FILE	.X ±0.5 .XX ±0.05 ANGLES ±2.0°		Amphenol Pcd Shenzhen		
ORIGINAL	THIS DOCUMENT CONTAINS PROPRIETARY INFORMATION WHICH IS THE CONFIDENTIAL PROPERTY OF AMPHENOL PCD SHENZHEN	ENGR Rock	Nov-07-17		
		CHKD APPD	SIZE A3	DWG NO. C-C3100235011	REV B
			CODE: 58982	SCALE:	SHEET 1 OF 1