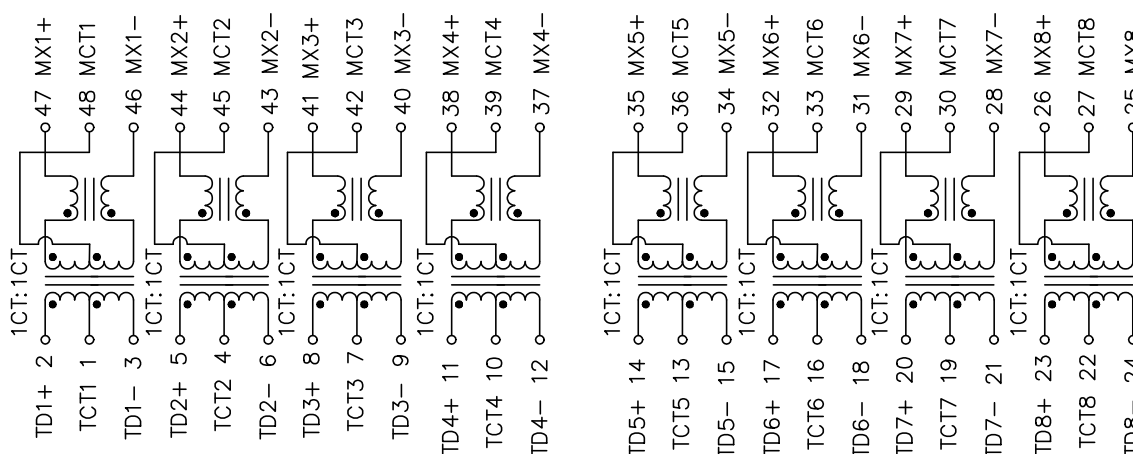


**HR644801E**

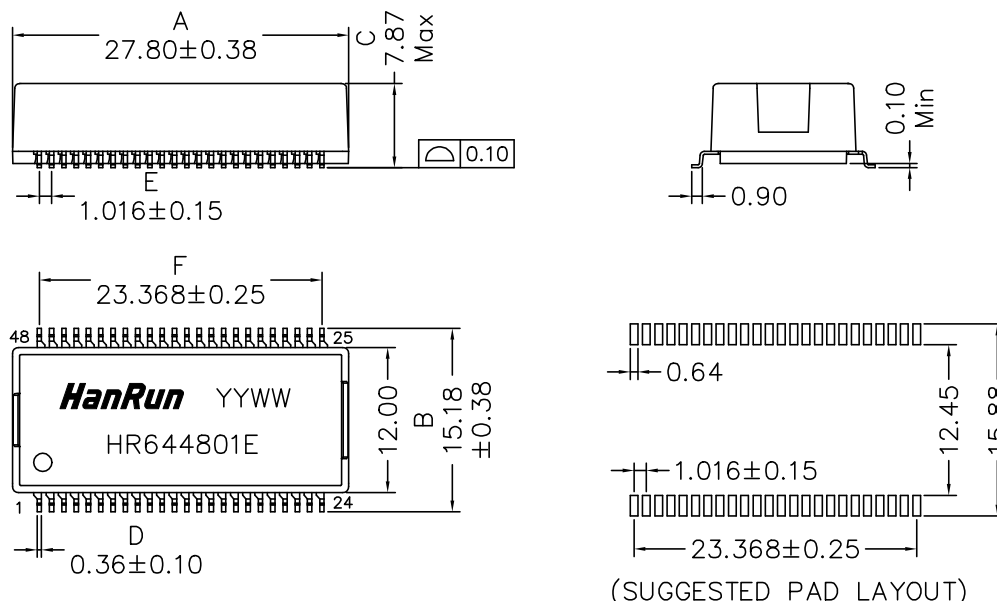
**Electrical Specification @25°C**

Operating Temperature Range: -40°C ~ +85°C  
 Isolation: 1500Vrms 0.5mA 60sec (P1~24 to P25~48)  
 OCL: 350uH Minimum @100KHz 100mV with 8mADC  
 Insertion Loss: -1.0dB Maximum @1MHz ~ 100MHz  
 Return Loss: -18dB Minimum @1MHz ~ 30MHz / -13.5dB Minimum @30MHz ~ 60MHz  
 -12dB Mlimum @60MHz ~ 80MHz / -10dB Mlimum @80MHz ~ 100MHz  
 Different to Common Mode Rejection: -45dB Minimum @30MHz / -40dB Minimum @60MHz  
 -35dB Minimum @100MHz  
 Crosstalk: -35dB Minimum @30MHz / -32dB Minimum @60MHz / -28dB Minimum @100MHz

**Schematics**



**Mechanical Dimensions**



Dimensions in mm

Unless otherwise specified, Tolerance: .xx ±0.25

REV.: 00