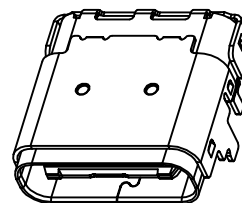
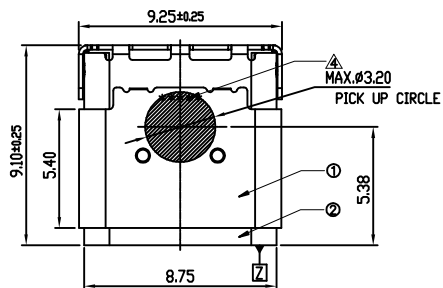


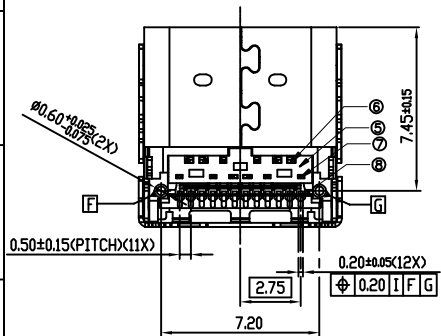
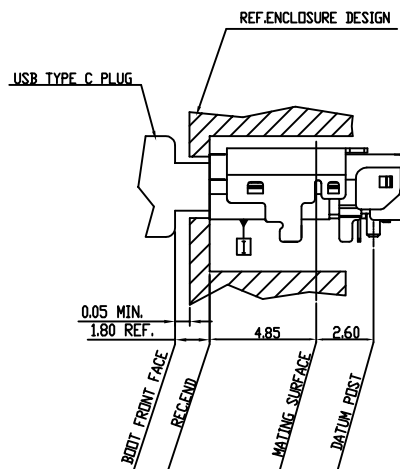
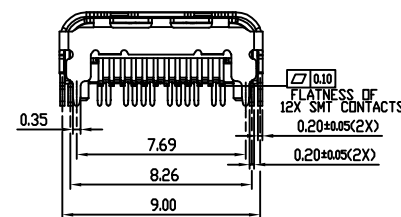
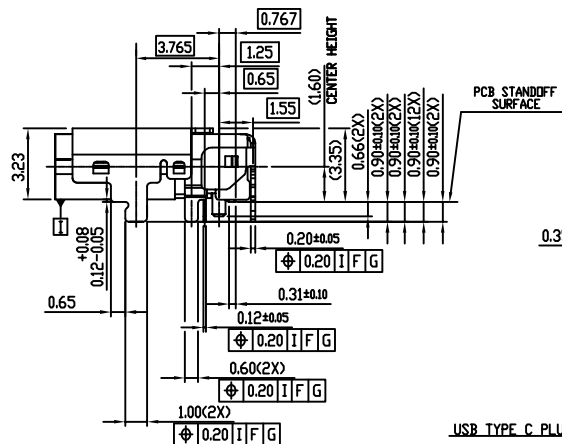
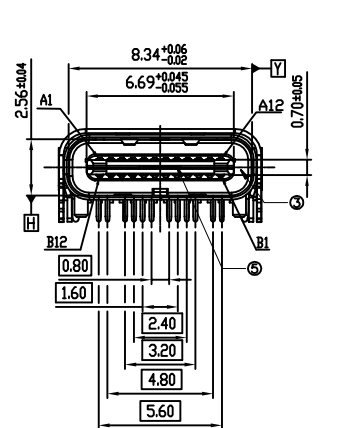
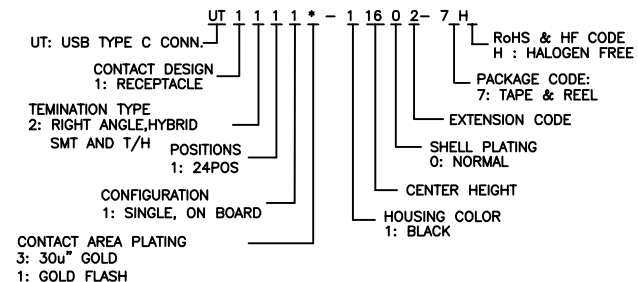
IDEAS GENERATED DRAWING. DON'T CHANGE BY HAND.

REV.	ECN NO.	APPD.
A	BC-15-0050880	Nick Lin
AX6	/	Nick Lin



- NOTE: UNLESS OTHERWISE SPECIFIED
- DIMENSIONS SHALL BE INTERPRETED PER ASME Y14.5M-2009.
  - ELECTRICAL CHARACTERISTIC:
    - CONTACT CURRENT RATING: VBUS AND GND CONTACTS RATED AT 1.25A EA., PARALLELED FOR A TOTAL OF 5A.
    - LOW LEVEL CONTACT RESISTANCE: 40mOhms MAX. FOR VBUS, GND AND OTHER CONTACTS. 50mOhms MAX. AFTER ENVIRONMENT TEST.
  - MECHANICAL CHARACTERISTICS:
    - INSERTION FORCE: 5~20N.
    - EXTRACTION FORCE: 8~20N.
    - DURABILITY: 10,000 MATING CYCLES.
    - OPERATING TEMPERATURE: -55°C TO +85°C.

- △ THE DATE CODE IS LOCATED APPROXIMATELY AS SHOWN.
5. PLEASE CONTACT FOXCONN SALES REPRESENTATIVE TO VERIFY PRODUCT DETAILS & AVAILABILITY.
6. PRODUCT NO. MATRIX :

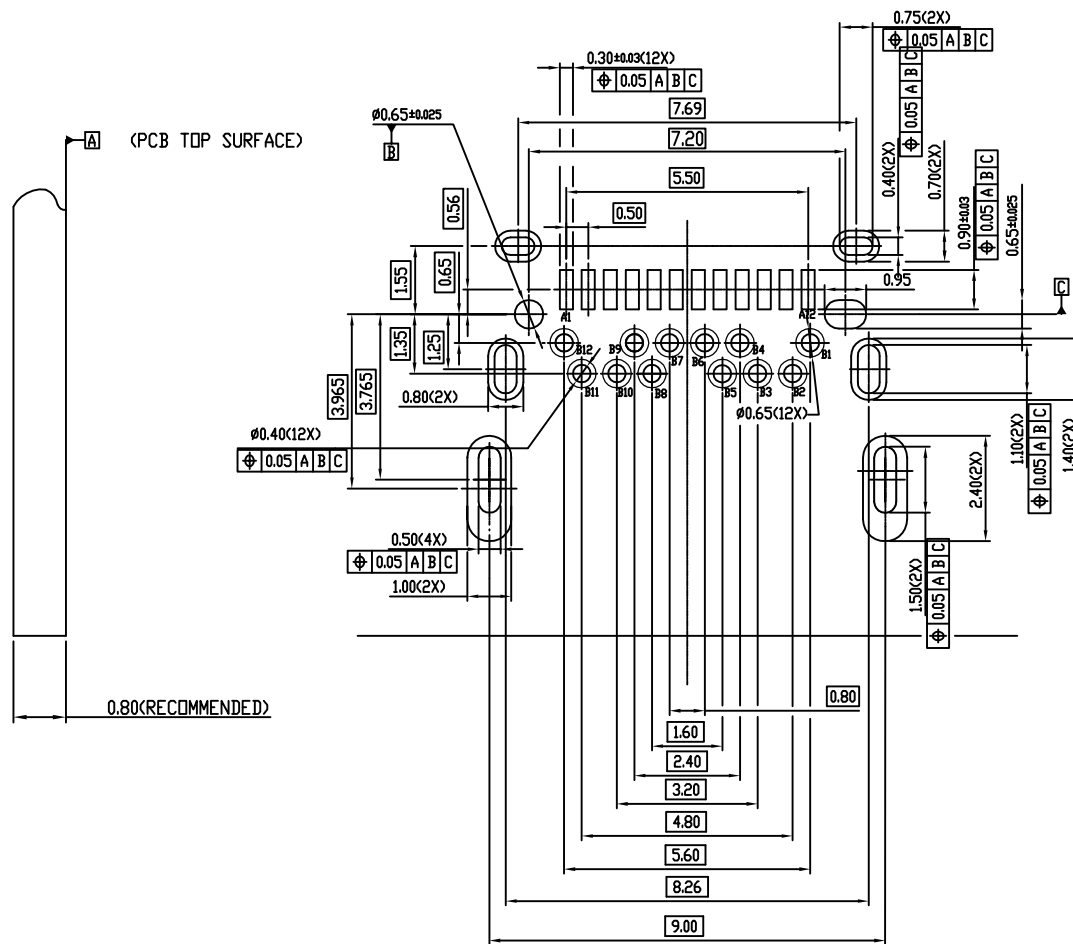


A12	GND	B1	GND
A11	SSRXp2	B2	SSTXp2
A10	SSRXn2	B3	SSTXn2
A9	VBUS	B4	VBUS
A8	SBU1	B5	CC2
A7	Dn1	B6	Dp2
A6	Dp1	B7	Dn2
A5	CC1	B8	SBU2
A4	VBUS	B9	VBUS
A3	SSTXn1	B10	SSRXn1
A2	SSTXp1	B11	SSRXp1
A1	GND	B12	GND
PIN	SIGNAL NAME	PIN	SIGNAL NAME

ITEM	DESCRIPTION	Q'TY	MATERIAL	FINISH
⑧	TOP CONTACT	12	C7025	50u" MIN.NICKEL PLATING OVER ALL.
⑦	BOTTOM CONTACT2	1	C7025	50u" MIN.TIN PLATING ON SOLDER AREA.
⑥	BOTTOM CONTACT1	1	C7025	30u" MIN.Au PLATING ON CONTACT AREA.
⑤	SHIELDING PLATE	1	SUS 301EH	N/A
④	BLOCK	1	LCP E130I	LCP UL 94 V-O COLOR: BLACK.
③	HOUSING	1	LCP E130I	LCP UL 94 V-O COLOR: BLACK.
②	SHELL	1	SUS 304	50u" MIN.NICKEL PLATING,NICKEL MUST BE SOLDERABLE.
①	TOP SHELL	1	SUS 304	50u" MIN.NICKEL PLATING,NICKEL MUST BE SOLDERABLE.
UT1111*-11602-7H				

X.± 0.30	X.±	UNITS	mm	NAME(INTENDED USE)	<b>FOXCONN®</b> FOXCONN INTERCONNECT TECHNOLOGY LIMITED
.X± 0.25	.X±	MAT'L		USB TYPE C;SMT&T/H;CH=1.60mm	
.XX± 0.15	.XX±			PART NO.(INTENDED USE)	CLASS: <input type="checkbox"/> CONFIDENTIAL <input type="checkbox"/> SECRET <input checked="" type="checkbox"/> GENERAL
.XXX±0.10	.XXX±	FINISH		APPD: Nick Lin	TITLE: USB TYPE C;SMT&T/H;CH=1.60mm CUSTOMER DRAWING
THESE DRAWINGS AND SPECIFICATIONS ARE THE PROPERTY OF FOXCONN INTERCONNECT TECHNOLOGY LIMITED,AND SHALL NOT BE REPRODUCED, COPIED OR USED IN ANY MANNER WITHOUT THE PRIOR WRITTEN CONSENT OF FOXCONN INTERCONNECT TECHNOLOGY LIMITED.				CHKD: Dickie Huang	DWG NO.: 327-0000-3278
				Bill He	SCALE SHEET REV. 1:1 1/3 AX6
				DRAW: Dustin Xu 07/01/16	

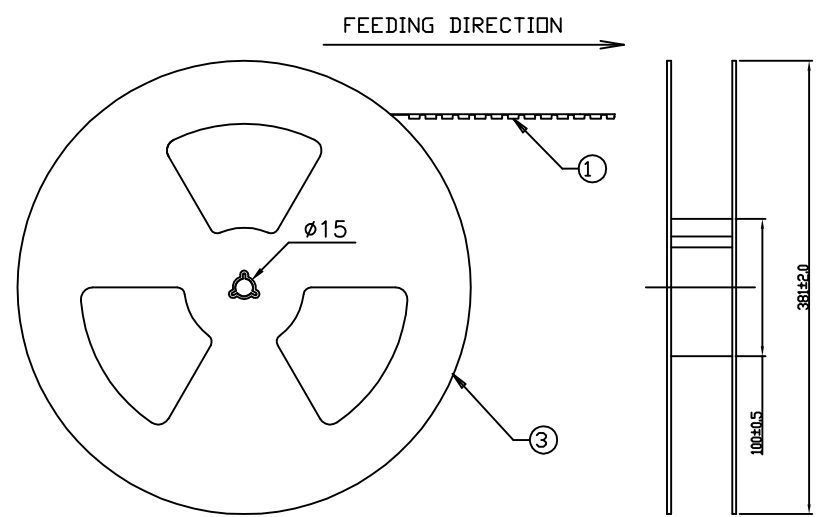
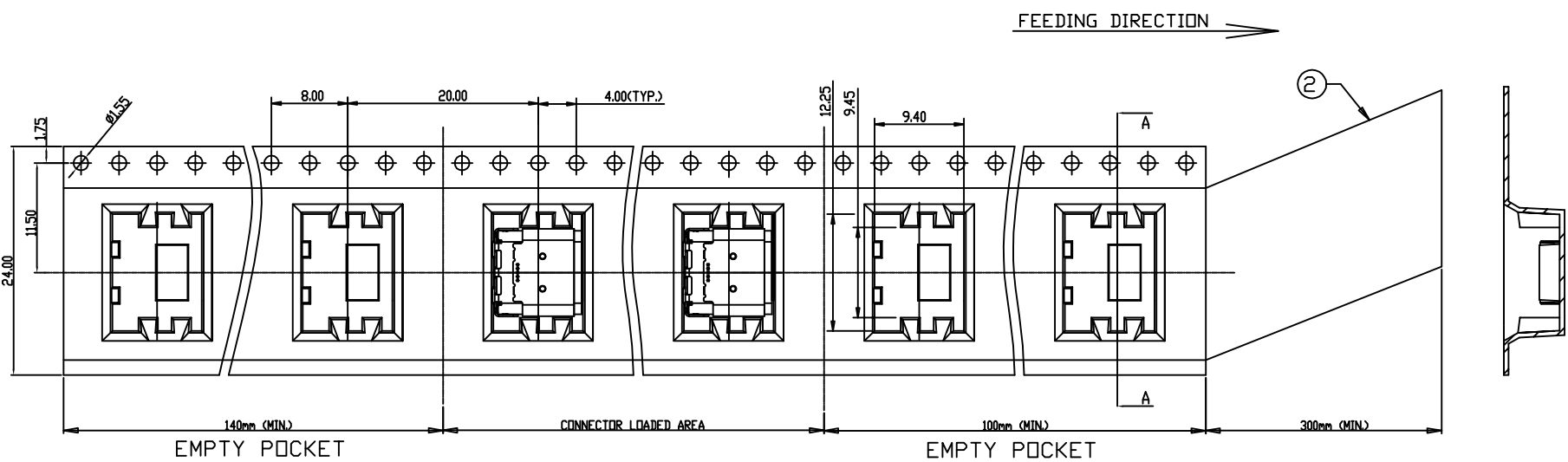
REV.	ECN NO.	APPD.



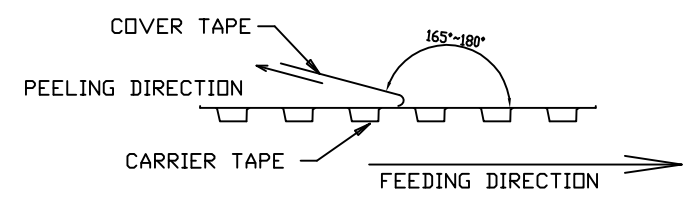
**RECOMMENDED PCB LAYOUT**  
TOLERANCE: ±0.05mm

X.± 0.30	X'.±	UNITS mm	NAME(INTENDED USE)	<b>FOXCONN®</b> FOXCONN INTERCONNECT TECHNOLOGY LIMITED
.X± 0.25	.X'±	MAT'L	USB TYPE C; SMT&T/H; CH=1.60mm	
.XX± 0.15	.XX'±		PART NO.(INTENDED USE)	CLASS: <input type="checkbox"/> CONFIDENTIAL <input type="checkbox"/> SECRET <input checked="" type="checkbox"/> GENERAL
.XXX±0.10	.XXX'±	FINISH	APPD: Nick Lin	TITLE: USB TYPE C; SMT&T/H; CH=1.60mm CUSTOMER DRAWING
THESE DRAWINGS AND SPECIFICATIONS ARE THE PROPERTY OF FOXCONN INTERCONNECT TECHNOLOGY LIMITED, AND SHALL NOT BE REPRODUCED, COPIED OR USED IN ANY MANNER WITHOUT THE PRIOR WRITTEN CONSENT OF FOXCONN INTERCONNECT TECHNOLOGY LIMITED.			CHKD: Dickie Huang	DWG NO.: 327-0000-3278
			Bill He	SCALE SHEET REV. 1:1 2/3 AX6
			DRAW: Dustin Xu 07/01'16	

REV.	ECN NO.	APPD.



- NOTES:
1. 10 POCKETS HOLE PITCH CUMULATIVE TOLERANCE  $\pm 0.20\text{mm}$ .
  2. NUMBER OF CONNECTORS : 800 PCS/REEL.
  3. COVER TAPE PEELING STRENGTH : 0.1 Kgf MAX. AT 300mm/min.



③	REEL	POLYSTYRENE	
②	COVER TAPE	POLYESTER	
①	CARRIER TAPE	POLYSTYRENE	
ITEM	DESCRIPTION	MATERIAL	REMARK

X.± 0.30	X.±	UNITS mm	NAME(INTENDED USE)	<b>FOXCONN®</b> FOXCONN INTERCONNECT TECHNOLOGY LIMITED
.X± 0.25	.X'±	MAT'L	USB TYPE C;SMT&T/H;CH=1.60mm	
.XX± 0.15	.XX'±		PART NO.(INTENDED USE)	CLASS: <input type="checkbox"/> CONFIDENTIAL <input type="checkbox"/> SECRET <input checked="" type="checkbox"/> GENERAL
.XXX±0.10	.XXX'±	FINISH	APPD: Nick Lin	TITLE: USB TYPE C;SMT&T/H;CH=1.60mm CUSTOMER DRAWING
THESE DRAWINGS AND SPECIFICATIONS ARE THE PROPERTY OF FOXCONN INTERCONNECT TECHNOLOGY LIMITED,AND SHALL NOT BE REPRODUCED, COPIED OR USED IN ANY MANNER WITHOUT THE PRIOR WRITTEN CONSENT OF FOXCONN INTERCONNECT TECHNOLOGY LIMITED.			CHKD: Dickie Huang	DWG NO.: 327-0000-3278
			Bill He	SCALE SHEET REV.
			DRAW: Dustin Xu 07/01'16	1:2 3/3 AX6