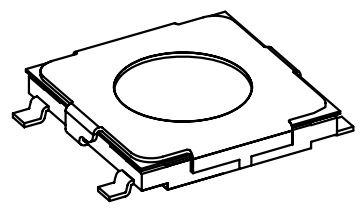
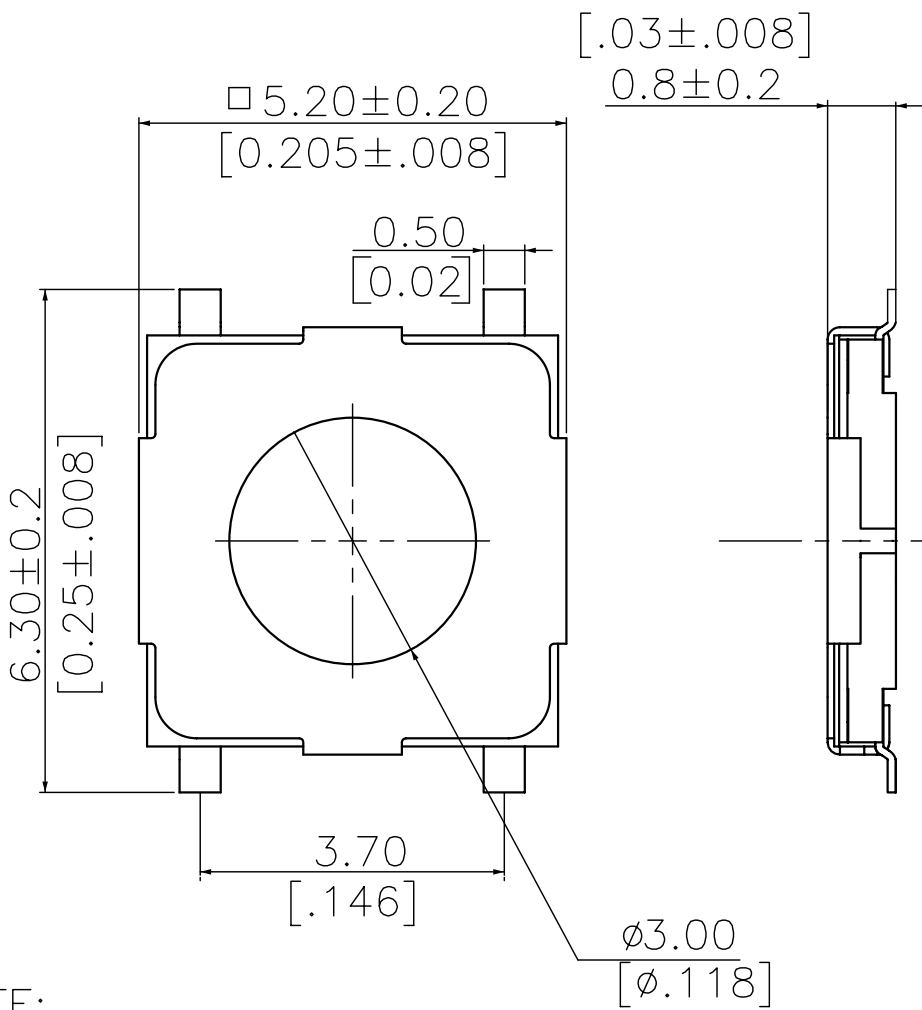
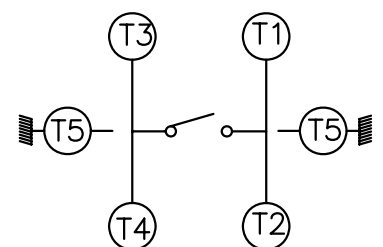
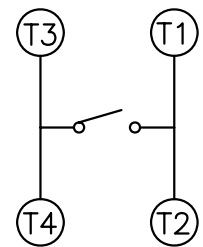
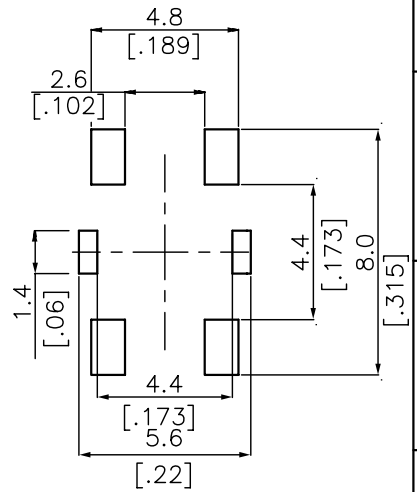
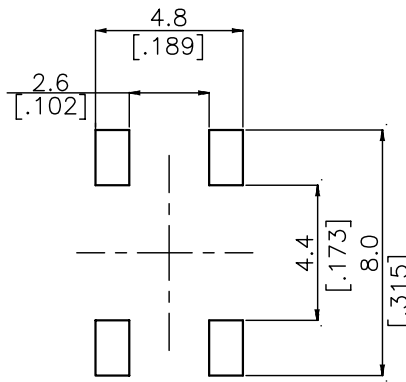


1 2 3 4 5 6 7 8 9 10



TME-52*



NOTE:
 1. ALL DIMENSIONS ARE IN MILLIMETERS.
 BRACKETED DIMENSIONS ARE IN INCHES.
 2. GENERAL TOLERANCES ± 0.20 mm.

△				
△				
△	A	DWG.REL	10.08'16	
ZONE	REV	DESCRIPTION	DATE	APPD.

PART NO:	OF
TME-523-Q	160gf
TME-524-Q	260gf

APPD:	Q'TY:	圓達實業股份有限公司 DIPTRONICS MANUFACTURING INC.	PART NAME:
CHKD:	SCALE: 15:1		H:0.8mm TACT SWITCH
DR: PAGGY	REV: A	UNITS: mm	DWG NO:
DESIGN: 張文進		PART NO: TME-52 □-Q	RD5P5E-Q
		MAT'L:	
		FINISH:	