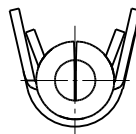
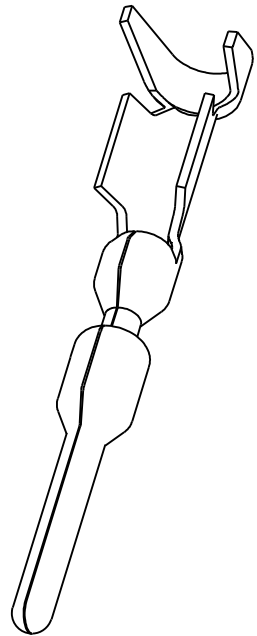
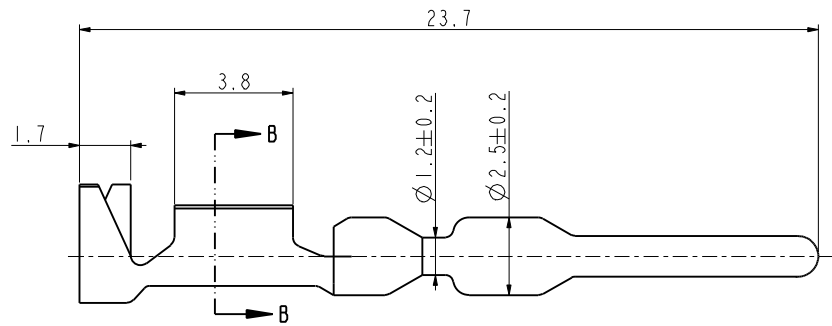
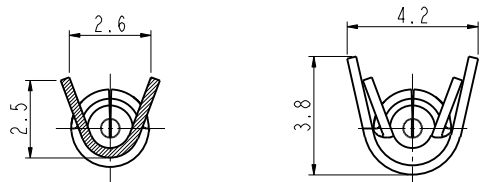
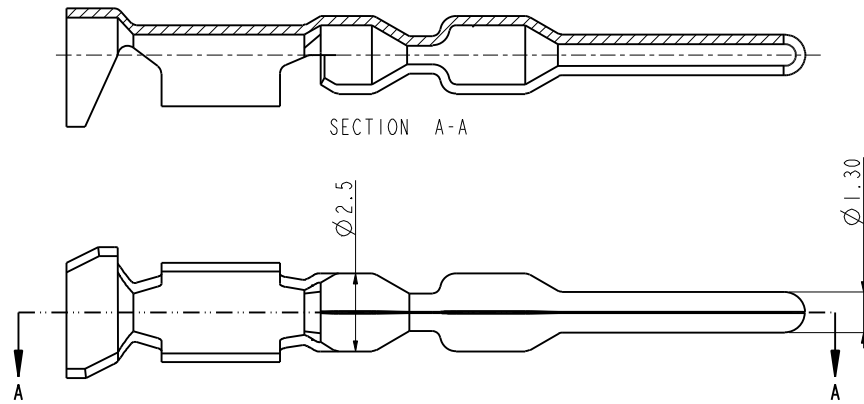


Amphenol PCD SZ
ORIGINAL
PDF Format
R&D

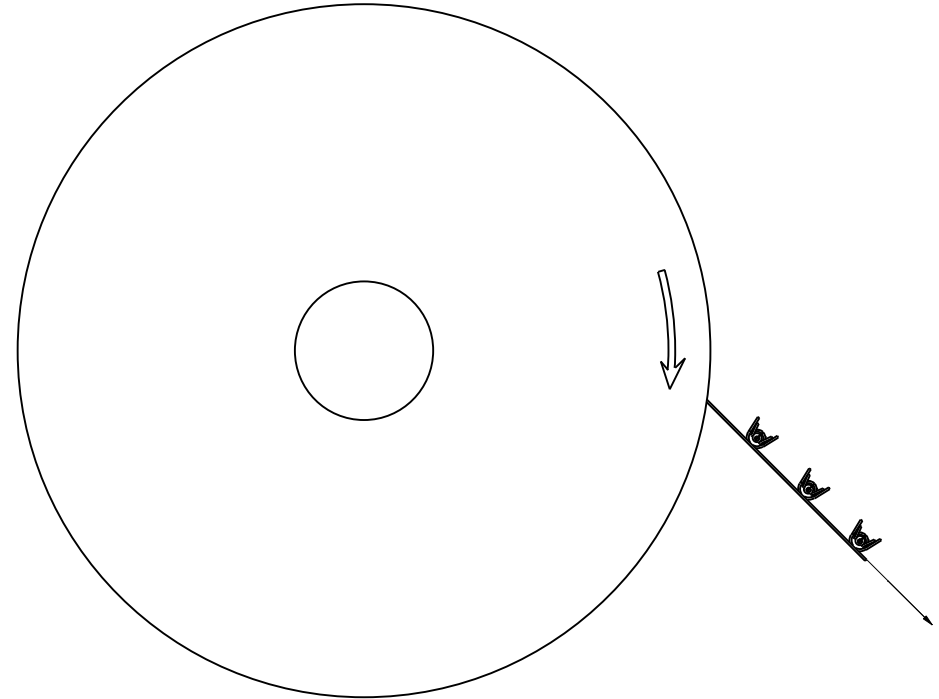
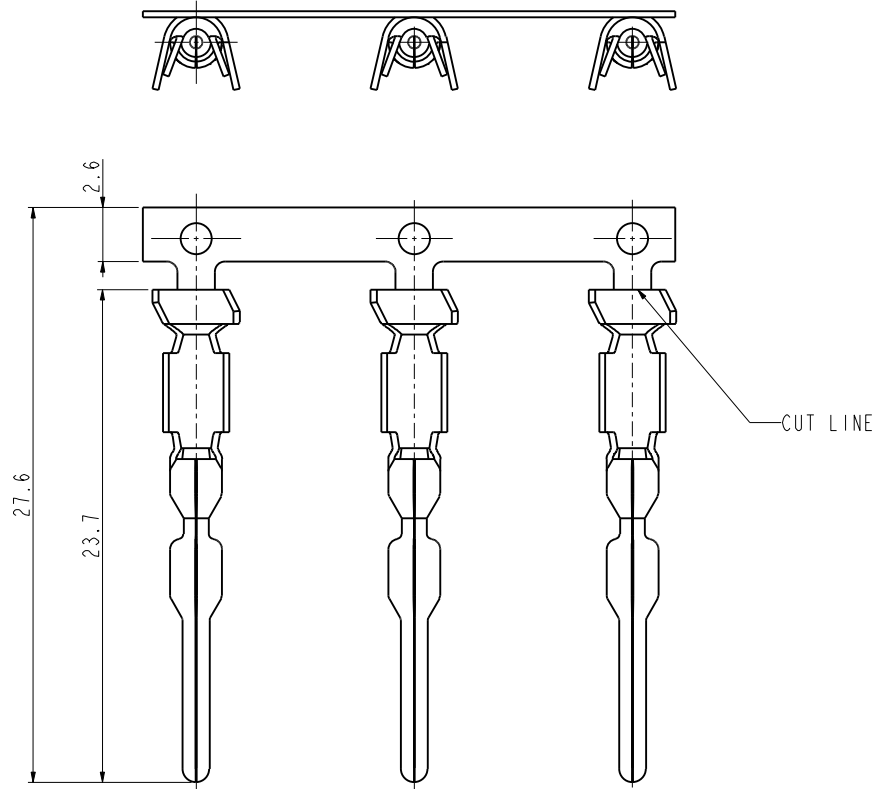
REV	ECN	DESCRIPTION	DATE	MODIFIED
A	C2389	RELEASE	Aug-31-17	Luik.Peng
B	C2656	ADD WIRE RANGE		

安费诺精密连接器(深圳)有限公司
Amphenol PCD Shenzhen
受控文件
2018年1月24日

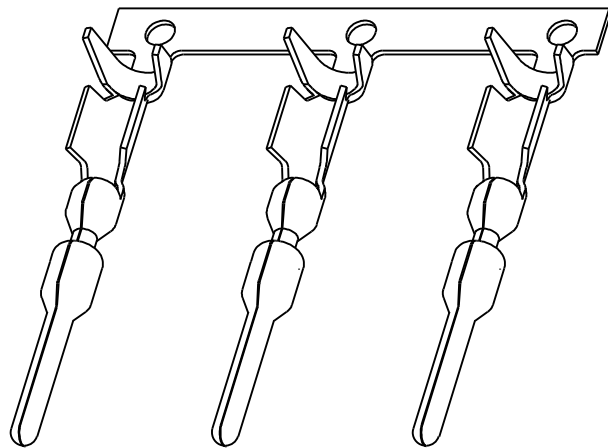


- NOTES:
- CONTACT MATERIAL: COPPER ALLOY, 0.30±0.01MM THICKNESS.
 - PLATING: TIN PLATING.
 - WIRE RANGE: 22-14AWG(0.35-2.0 SQ MM),
WIRE INSULATION DIAMETER: 1.7-2.7MM.
 - ROHS COMPLIANCE.
 - REEL PACKAGE.

DIMENSIONS	TOLERANCES	PROJECTION	TITLE		
ANSI Y14.5M UNITS: MM Pro/E FILE	.X ±0.5 .XX ±0.05 ANGLES ±2.0°		Amphenol Pcd Shenzhen		
ORIGINAL	THIS DOCUMENT CONTAINS PROPRIETARY INFORMATION WHICH IS THE CONFIDENTIAL PROPERTY OF AMPHENOL PCD SHENZHEN	ENGR Luik.Peng Aug-31-17	LVRC SERIES MALE CONTACT		REV B
		CHKD <i>Sembao</i>	SIZE A3	DWG NO. C-C310023102	
		APPD <i>Derek</i>	CODE: 58982	SCALE: 6:1	SHEET 1 OF 2



REEL PACKAGE



安费诺精密连接器(深圳)有限公司
Amphenol PCD Shenzhen

受控文件

2018年1月24日

SIZE	DWG NO.	REV
A3	C-C310023102	B
CODE: 58982	SCALE: 4:1	SHEET 2 OF 2