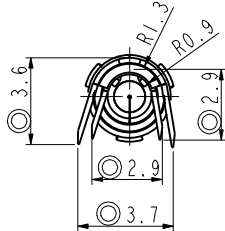
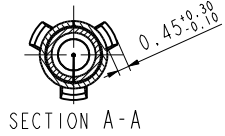
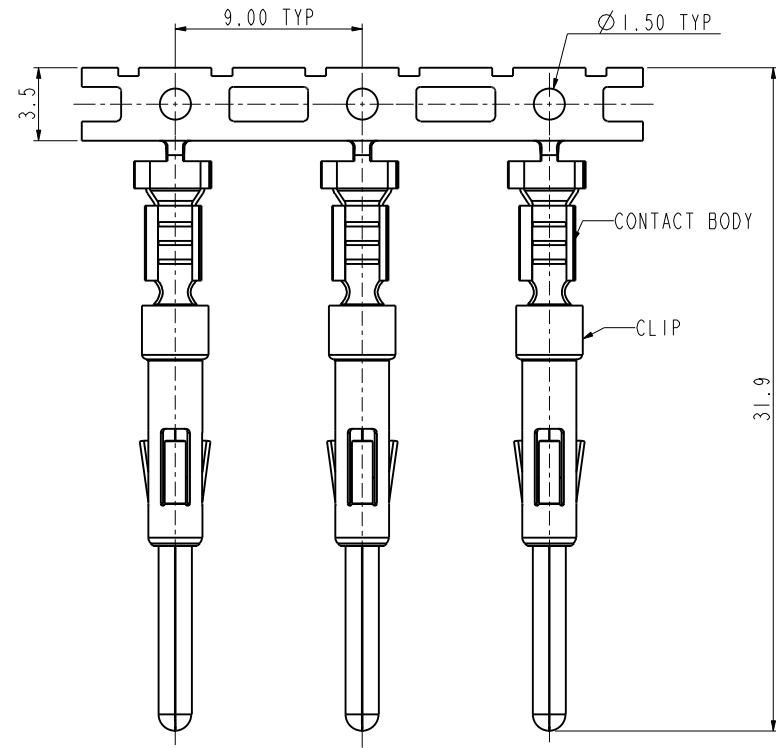


REV	ECN	DESCRIPTION	DATE	MODIFIED
A	C3003	RELEASE		LUIK.PENG

Amphenol PCD SZ
ORIGINAL
PDF Format
R&D

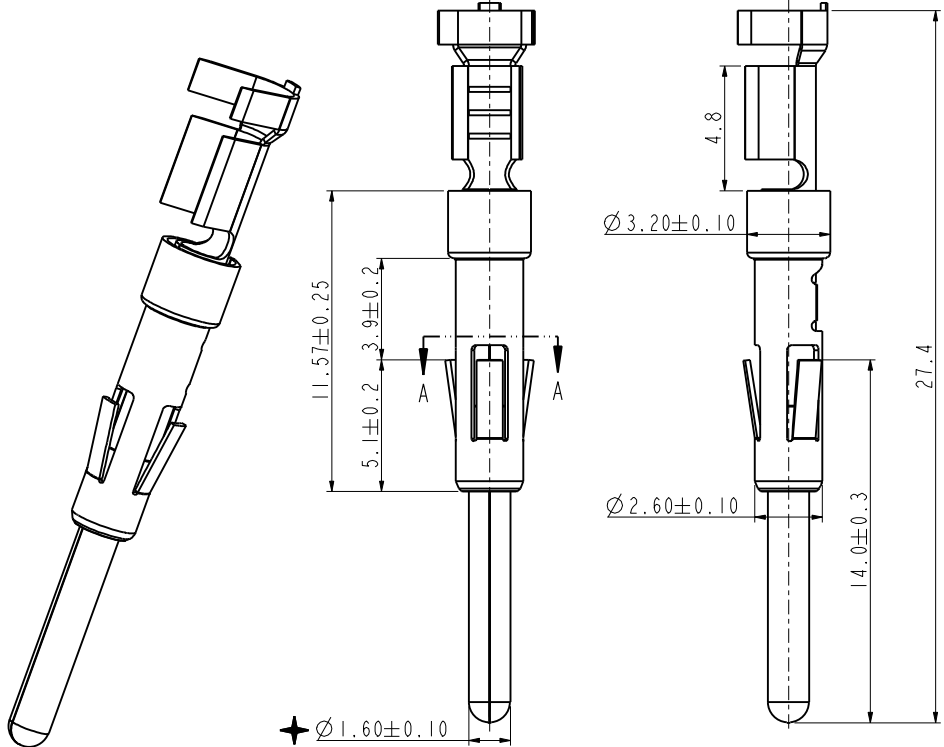


安费诺精密连接器(深圳)有限公司
Amphenol PCD Shenzhen
受控文件
2018年10月11日



SCALE 4:1

- ★: IS CRITICAL CHARACTERISTIC SYMBOL, ◎: IS IMPORTANT CHARACTERISTIC SYMBOL.
- NOTES:
- ★ 1. MATERIAL: CONTACT BODY: COPPER ALLOY; T=0.3mm, CLIP: STAINLESS STEEL, T=0.15mm.
 2. CONTACT BODY PLATING: TIN PLATING.
 - ◎ 3. WIRE RANGE: 18~14AWG(0.75~2.0 SQ MM), WIRE INSULATION OD RANGE: FROM 2.2MM TO 3.0MM.
 - ★ 4. ROHS COMPLIANCE.
 5. REEL PACKING 3000PCS PER REEL.



C-LVRC16SC01S

C-LVRC16SC01S

DIMENSIONS ANSI Y14.5M UNITS: MM Pro/E FILE	TOLERANCES .X ±0.5 .XX ±0.05 ANGLES ±3.0°	PROJECTION 	Amphenol Pcd Shenzhen		TITLE MALE CONTACT Ø16 FOR 0.75~2.0MM^2		
			ENGR LUIK.PENG Mar-23-18	CHKD <i>Jouke</i>	SIZE A3	DWG NO. C-LVRC16SC01S	REV A
ORIGINAL	THIS DOCUMENT CONTAINS PROPRIETARY INFORMATION WHICH IS THE CONFIDENTIAL PROPERTY OF AMPHENOL PCD SHENZHEN			APPD <i>Derek</i>	CODE: 58982	SCALE: 5:1	SHEET 1 OF 1