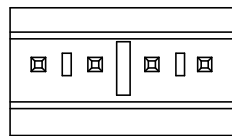
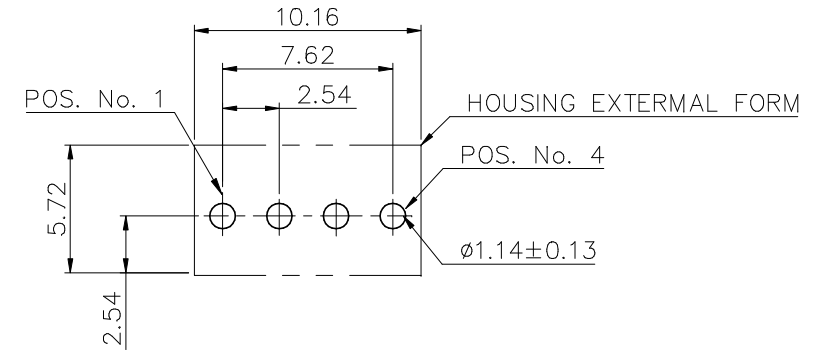
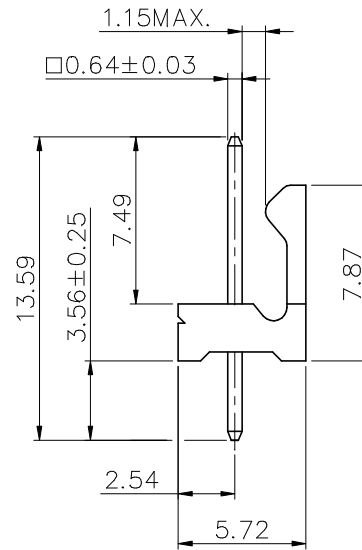
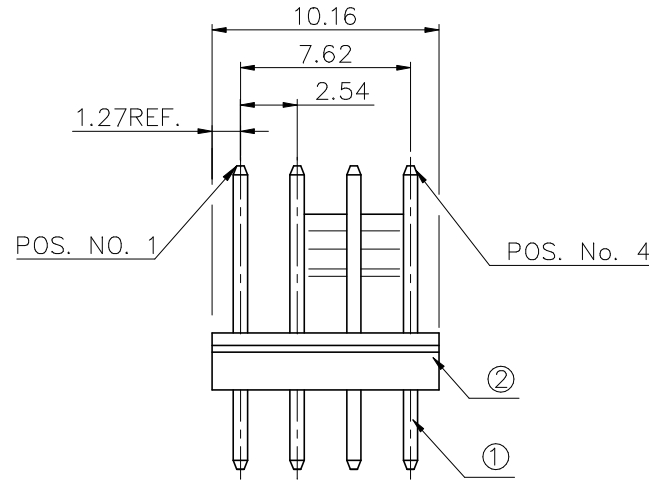
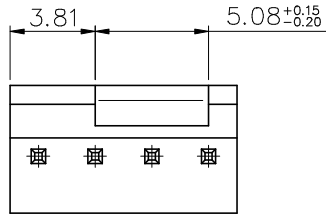


|      |             |                     |
|------|-------------|---------------------|
| REV. | ECN. No.    | APPD.               |
| A    | HC052017    | Ady Zhou<br>3/14'05 |
| B    | BC077005164 | Yusan               |

NOTES: (UNLESS OTHERWISE SPECIFIED)

1. DIMENSIONS SHALL BE INTERPRETED PER ASME Y14.5M-1994.
2. SPECIFICATIONS OF PRODUCT ARE SHOWN ON DRAWING "307-0300-1116".
3. MATERIALS OF ① AND ② ARE SHOWN ON DRAWING "307-0500-1116".
4. HARMFUL MATERIAL CONTRAL PLEASE FOLOW FOXCONN'S DOC. "EPI12".
5. PLEASE CONTACT FOXCONN SALES REPRESENTATIVE TO VERIFY PRODUCT DETAILS & AVAILABILITY.
6. PRODUCT No. MATRIX: SEE DRAWING "307-0500-1116".



|  |        |        |    |                         |   |
|--|--------|--------|----|-------------------------|---|
| X.±  | X°±    | UNITS  | mm | NAME(INTENDED USE)      | <b>FOXCONN</b>  |
| .X± 0.25   | .X°±   | MAT'L  |    | FRICTION HEADER         | HON HAI PRECISION IND. CO.,LTD.<br>TAIPEI, TAIWAN, R.O.C. |
| .XX± 0.13  | .XX°±  |        |    | PART No.(INTENDED USE)  | TITLE:  |
| .XXX±  | .XXX°± | FINISH |    | HF10 SERIES             | CUSTOMER DRAWING  |
| THESE DRAWINGS AND SPECIFICATIONS ARE THE PROPERTY OF HON HAI PRECISION IND. CO., LTD. AND SHALL NOT BE REPRODUCED, COPIED OR USED IN ANY MANNER WITHOUT THE PRIOR WRITTEN CONSENT OF HON HAI PRECISION IND. CO., LTD. |        |        |    | APPD: Yusan             | DWG No.:  |
|  |        |        |    | Q'TY                    | 307-0000-1116   |
|  |        |        |    | CHKD: Steven Huang      | SCALE SHEET REV.  |
|  |        |        |    | DR: Justin Dong 3/19'07 | 4:1 1/2 B   |