
SF-50 防尘网罩规格书

SF-50 Specification for dust screen cover

名称(NAME): SF-50 防尘网罩

型号(MODEL): SF-50

产品参数

Product parameters

外观: 正方形 尺寸: 55*55*7MM 安装孔距: 40*40MM

结构: 三合一 (前盖+防尘棉+后单片) 详见尺寸图

产品功能

Product drawing

2.1 防尘网罩 Dustproof net cover

防尘网罩能够提升风扇的使用寿命和运行稳定性,同时能防止灰尘、颗粒、和较大的沙粒等物体进入扇叶区域,造成风扇的损坏或妨碍风叶的转动。从而加速风扇的损坏,同时还有防撞击和预防风扇对人体造成伤害的作用。

The dust screen cover can improve the service life and operation stability of the fan, at the same time, it can prevent dust, particles, large sand particles and other objects from entering the fan blade area, causing damage to the fan or hindering the rotation of the fan blade. So as to accelerate the damage of the fan, at the same time, it has the function of anti-collision and preventing the fan from causing harm to human body.

产品图纸

Product drawing



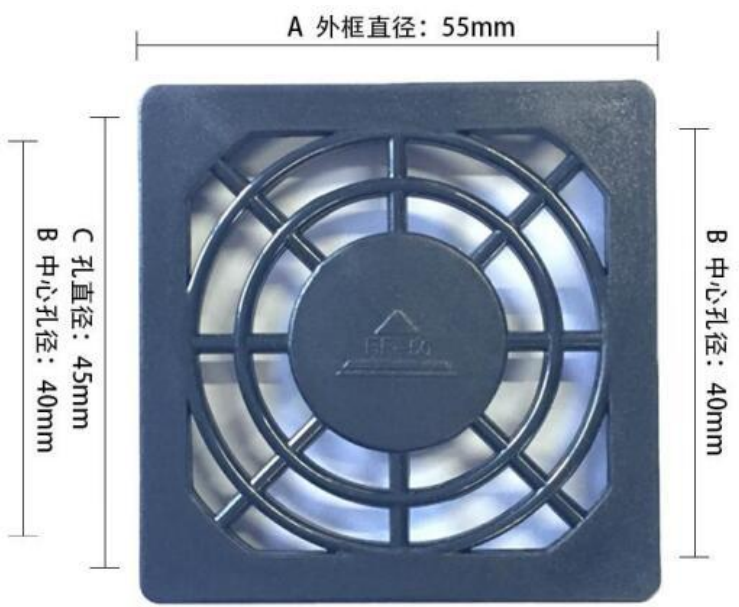
标准误差±0.5mm

图一 Picture 1 (正面)



标准误差±0.5mm

图二 Picture 2 (背面)



标准误差±0.5mm

图三 Picture 3 (前盖)



标准误差±0.5mm

图四 **Picture 4** (后单片)

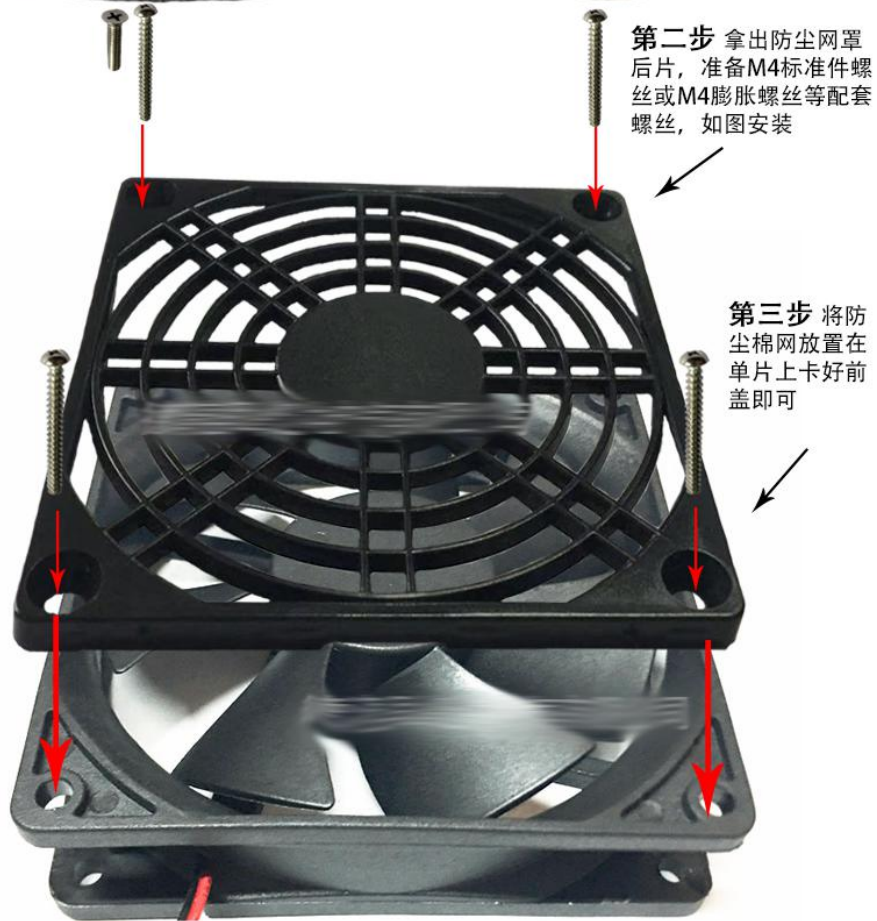
安装指示

Installation instructions



第一步 打开防尘网罩，取出防尘棉

注：本公司不提供安装螺丝，您需自行购买配套



第二步 拿出防尘网罩后片，准备M4标准件螺丝或M4膨胀螺丝等配套螺丝，如图安装

第三步 将防尘棉网放置在单片上卡好前盖即可

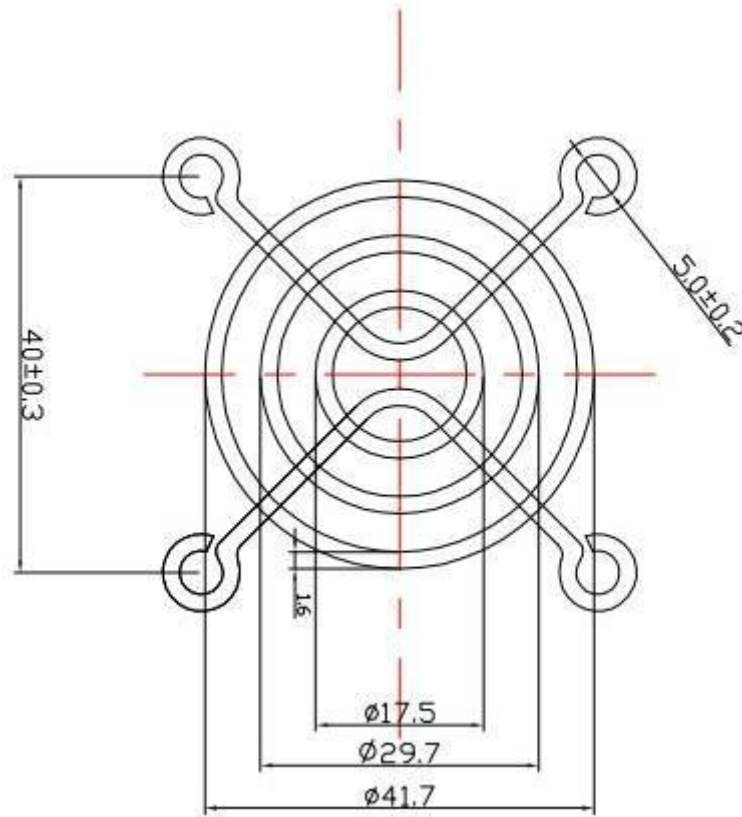
推荐安装方式/Recommendation assembly Direction



配套产品

accessory products

配套金属网罩



5.2 金属网罩 Metal mesh cover

金属网罩的作用主要用于背面的防撞击和防护作用，同时也有一定的防尘作用。

The function of the metal mesh cover is mainly used for the anti-collision and protection of the back, and also has a certain dust-proof function.

包装方式

Packing method

6.1 包装 Packing

如客户对包装没有特殊要求，工厂视为按照工厂出口统一包装，标准外贸纸箱包装确保网罩在运输过程中尽量不会损坏。

If the customer has no special requirements for the packing, the factory shall consider the uniform packing according to the factory's export, and the standard foreign trade carton packing shall ensure that the net cover will not be damaged during the transportation.