





















●Electrical Characteristic Curves

Fig.21 IGBT Transient Thermal Impedance

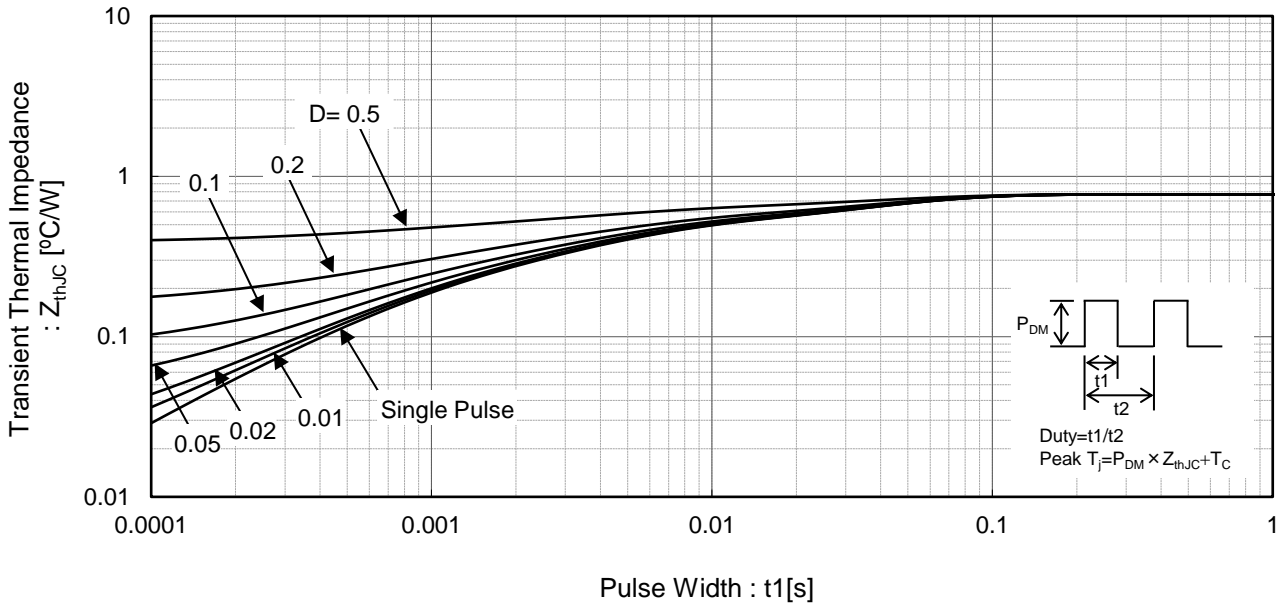
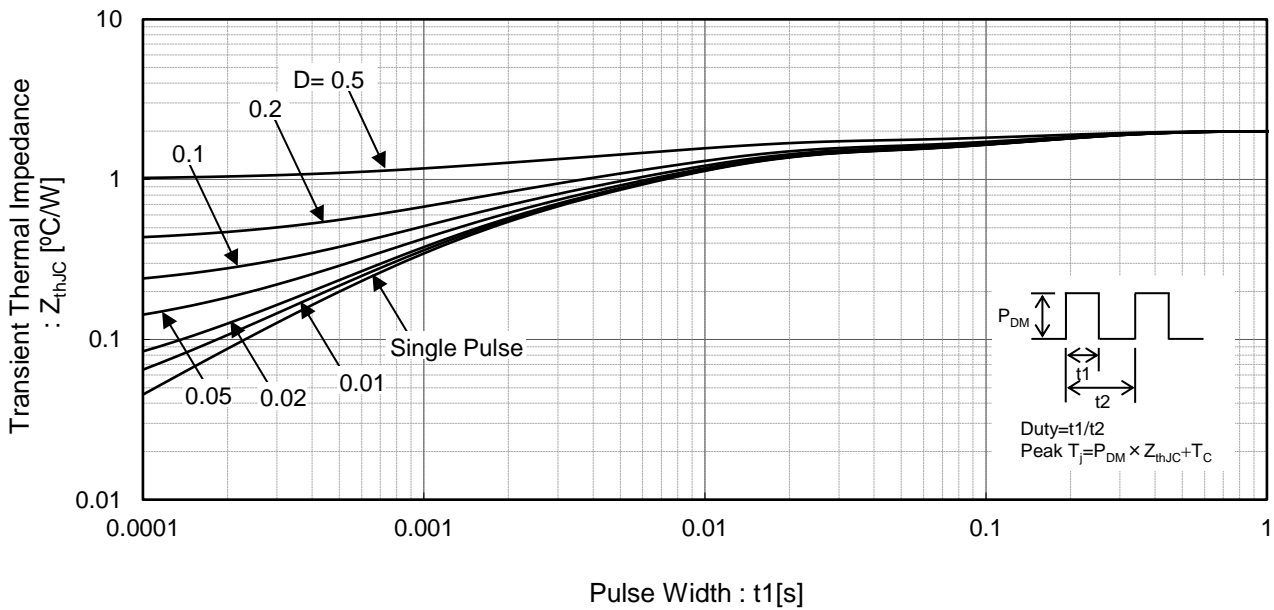


Fig.22 Diode Transient Thermal Impedance



● Inductive Load Switching Circuit and Waveform

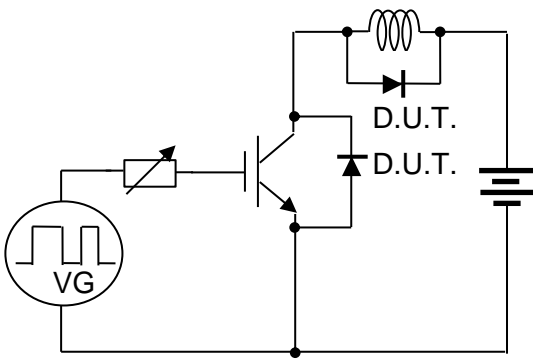


Fig.23 Inductive Load Circuit

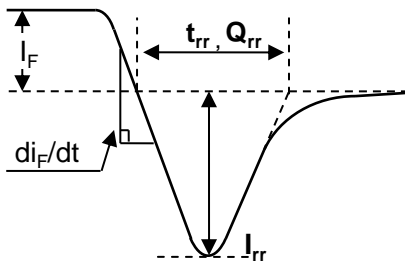


Fig.24 Diode Reverse Recovery Waveform

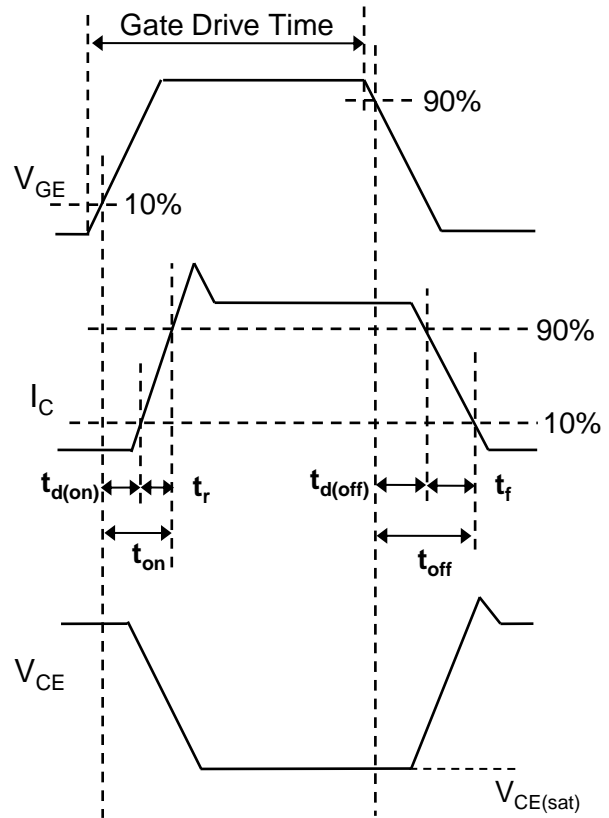


Fig.25 Inductive Load Waveform