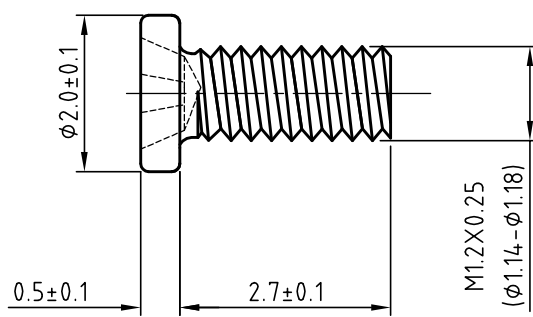
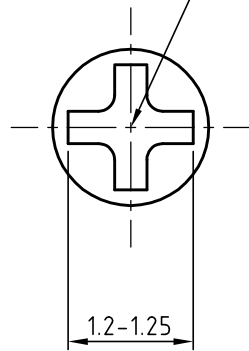


REV	DESCRIPTION	DRAWING	DATE
A	INITIAL RELEASE	LIZIRU	2021.03.24

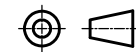
CROSS RECESS No.00



Shenzhen SS-innovation precision hardware CO.,LTD.

General tolerances for linear and angular dimensions without individual tolerance indications: ISO 2768-m

Third angle projection



Drawing		Cust. Code		Name	Screw
Checked		Material	C1018	Description	CM1.2X2.7(HD=2;HT=0.5)
Approval		Finish	NICKEL	Cust. P/N	
		Unit	mm	Scale	10:1
		Page	1 of 1	Draw. No	PL38-019
				Rev.	A