

8

7

6

5

4

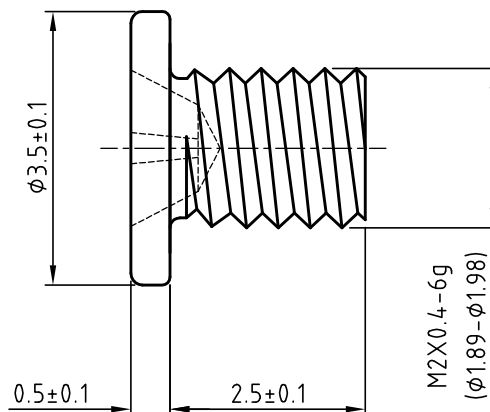
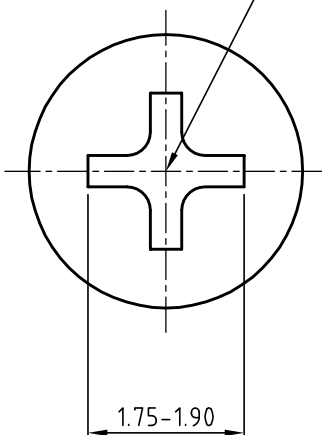
3

2

1

REV	DESCRIPTION	DRAWING	DATE
A	INITIAL RELEASE	LIZIRU	2021.03.24

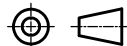
CROSS RECESS No.00



Shenzhen SS-innovation precision hardware CO.,LTD.

General tolerances for linear
and angular dimensions without
individual tolerance indications:
ISO 2768-m

Third angle projection



Drawing		Cust. Code		Name	Screw
Checked		Material	AISI C1018	Description	CM2X2.5(HD=3.5;HT=0.5)
Approval		Finish	Trivalent black zinc	Cust. P/N	
		Unit	mm	Scale	10:1
		Page	1 of 1	Draw. No	PL38-033
				Rev.	A1

8

7

6

5

4

3

2

1

E