

8

7

6

5

4

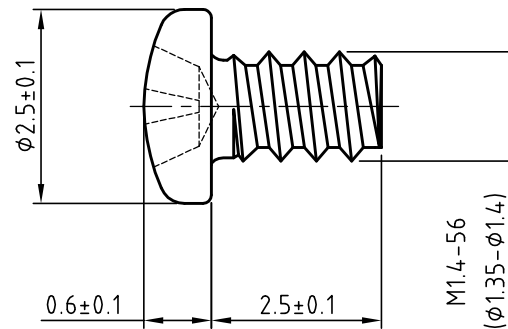
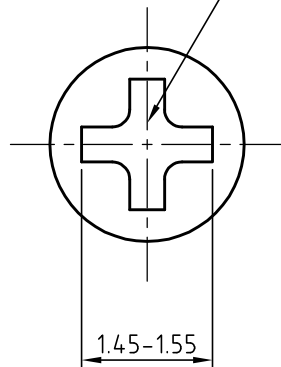
3

2

1

REV	DESCRIPTION	DRAWING	DATE
A	INITIAL RELEASE	LIZIRU	2021.03.24

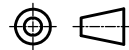
CROSS RECESS No.0



Shenzhen SS-innovation precision hardware CO.,LTD.

General tolerances for linear
and angular dimensions without
individual tolerance indications:
ISO 2768-m

Third angle projection



Drawing		Cust. Code		Name	Screw
Checked		Material	C1018	Description	PB1.4X2.5(HD=2.5;HT=0.6)
Approval		Finish	NICKEL	Cust. P/N	
		Unit	mm	Scale	10:1
		Page	1 of 1	Draw. No	PL38-025
				Rev.	A

8

7

6

5

4

3

2

1

A

B

C

D

E