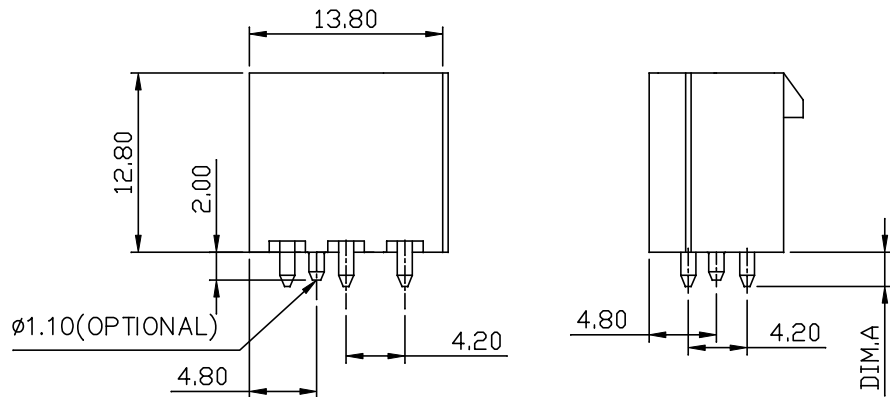
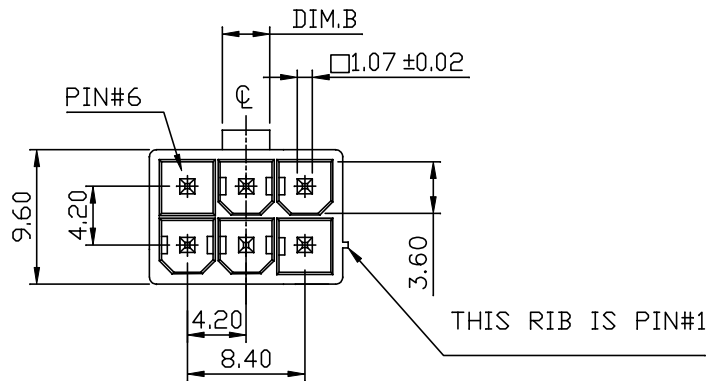
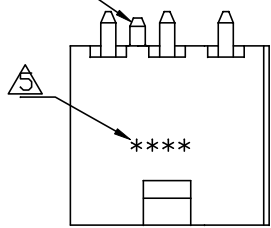


ø1.10(OPTIONAL)



ONLY FOR HM5203*-*****
TYPE I

NOTE: UNLESS OTHERWISE SPECIFIED.

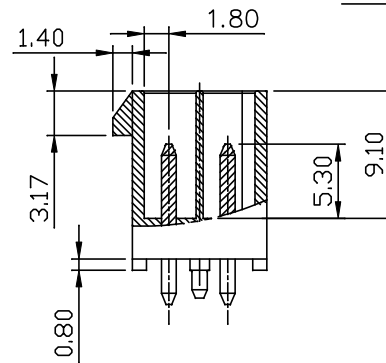
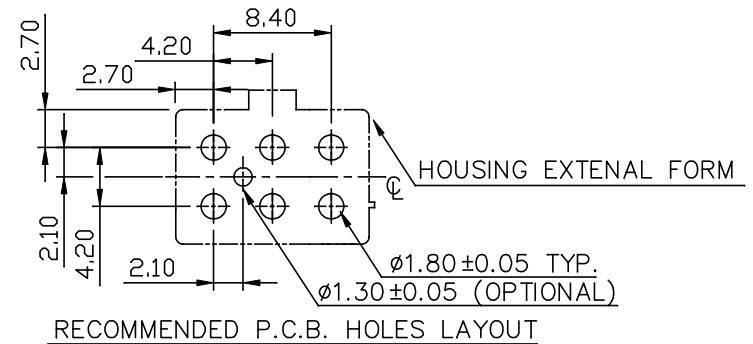
1. DIMENSIONS SHALL BE INTERPRETED PER ASME Y14.5M-1994.
2. SPEC. ARE SHOWN ON DRAWING "307-0300-1028".
3. MATERIALS ARE SHOWN ON DRAWING "307-0500-1028".

△ PRODUCT NO. MATRIX : H M 52 ** * - * * * * *

PLEASE SEE 307-0500-1028

△ DATE CODE: PLEASE REFER TO FOXCONN'S DOC. "SQ-3B0-070".

6. PLEASE CONTACT FOXCONN SALES REPRESENTATIVE TO VERIFY PRODUCT DETAIL&AVAILABILITY.
7. HARMFUL MATERIAL CONTROL PLEASE FOLLOW FOXCONN'S DOC. "EPI12".
8. THE CONCENTRATIONS OF Br&Cl CAN SATISFY THE REQUIREMENTS OF HALOGEN-FREE IN DOCUMENT EPI12.

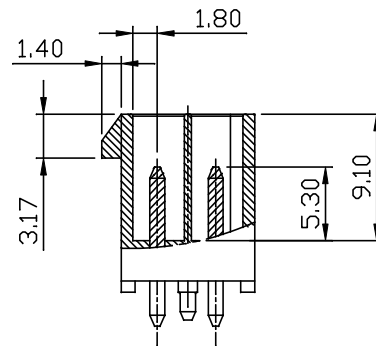
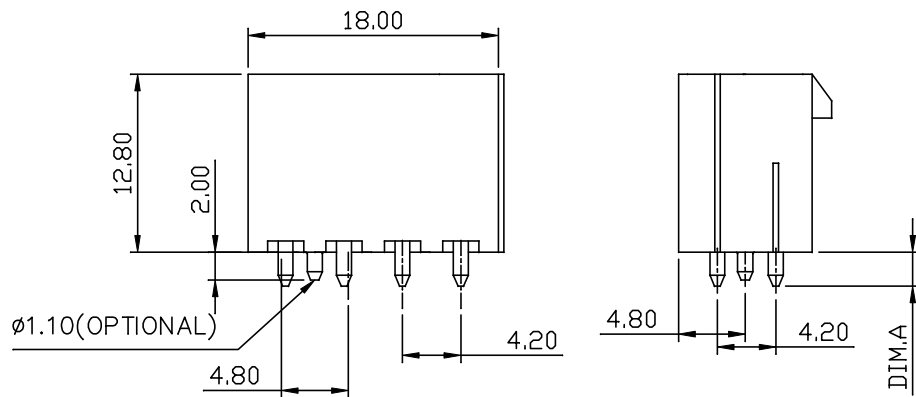
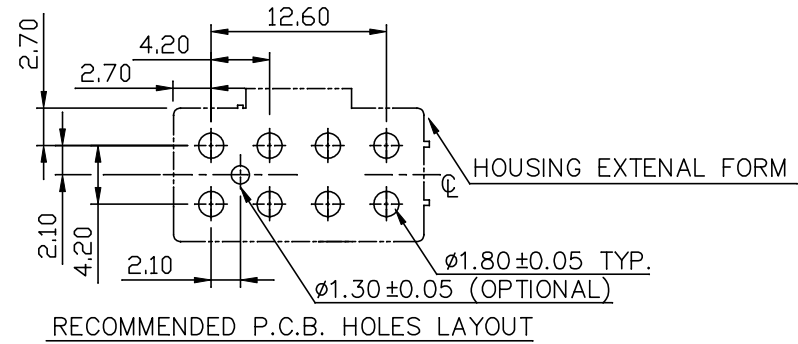
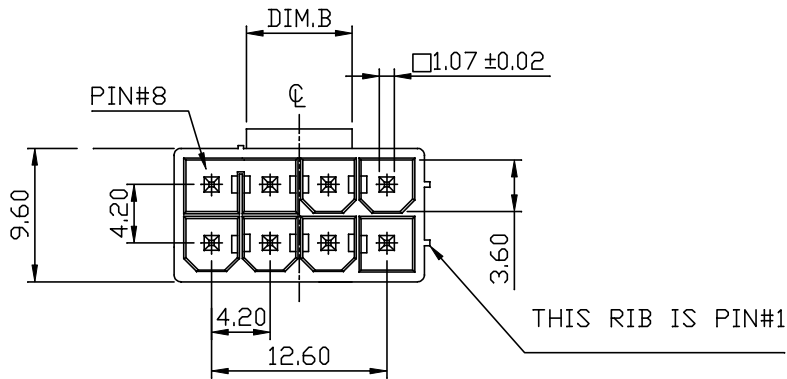
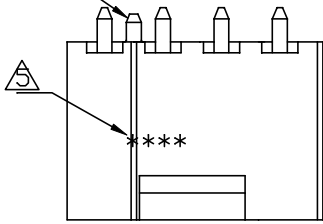


X. ±	X° ±	UNITS mm	NAME(INTENDED USE)	FOXCONN HON HAI PRECISION IND. CO.,LTD. TAIPEI, TAIWAN, R.O.C.
.X ± 0.38	.X° ±	MAT'L	POWER CONN.	
.XX ± 0.25	.XX° ±	FINISH	PART NO.(INTENDED USE)	TITLE:
.XXX ±	.XXX° ±		HM52 SERIES	CUSTOMER DRAWING
THESE DRAWINGS AND SPECIFICATIONS ARE THE PROPERTY OF HON HAI PRECISION IND. CO., LTD. AND SHALL NOT BE REPRODUCED. COPIED OR USED IN ANY MANNER WITHOUT THE PRIOR WRITTEN CONSENT OF HON HAI PRECISION IND. CO., LTD.			APPD: Shih-Wei Hsiao	DWG NO.:
			CHKD: Yusan Hsiao	307-0000-1028
			DR: Xu Liu 08/10'15	SCALE SHEET REV.
				1/1 1/3 DX2

REV.	ECN. No.	APPD.
A	BC077020423	Yusan
B	BC077037013	Yusan
C	BC087037673	Jake W.Yuan
D	BC087050897	Jake W.Yuan

REV.	ECN. No.	APPD.
------	----------	-------

ø1.10(OPTIONAL)

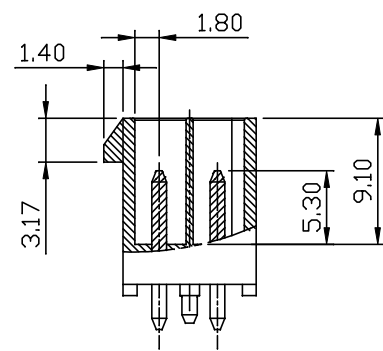
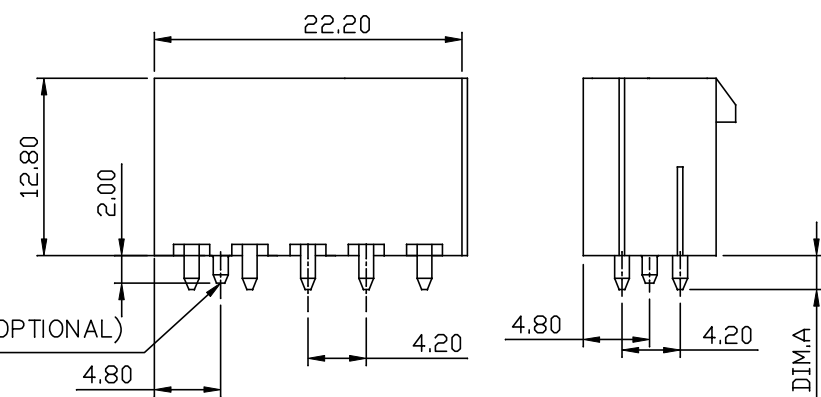
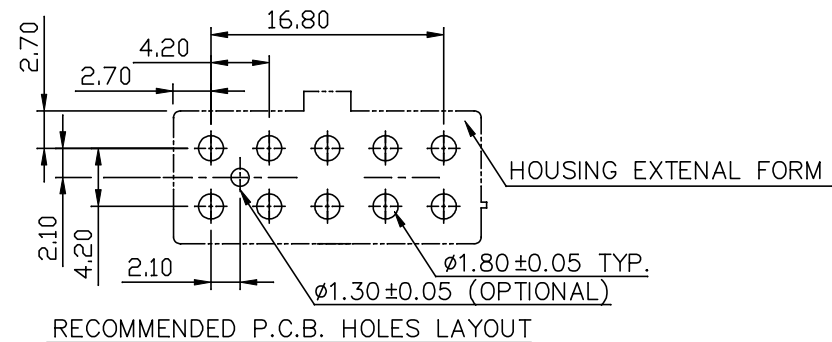
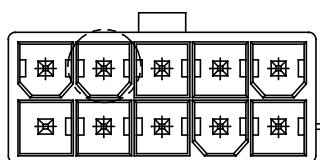
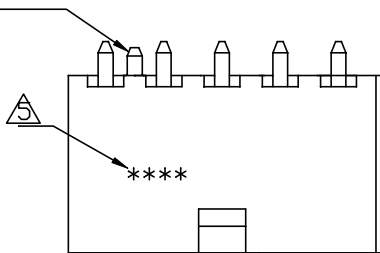


ONLY FOR HM5204*-***Z**
TYPE II

X. ±	X° ±	UNITS mm	NAME(INTENDED USE)	FOXCONN HON HAI PRECISION IND. CO.,LTD. TAIPEI, TAIWAN, R.O.C.		
.X ± 0.38	.X° ±	MAT'L	POWER CONN.			
.XX ± 0.25	.XX° ±	FINISH	PART NO.(INTENDED USE)	TITLE:		
.XXX ±	.XXX° ±		HM52 SERIES	CUSTOMER DRAWING		
THESE DRAWINGS AND SPECIFICATIONS ARE THE PROPERTY OF HON HAI PRECISION IND. CO., LTD. AND SHALL NOT BE REPRODUCED, COPIED OR USED IN ANY MANNER WITHOUT THE PRIOR WRITTEN CONSENT OF HON HAI PRECISION IND. CO., LTD.			APPD: Shih-Wei Hsiao	DWG NO.:		
			CHKD: Yusan Hsiao	307-0000-1028		
			DR: Xu Liu 08/10'15			
				SCALE	SHEET	REV.
				1/1	2/3	DX2

REV.	ECN. No.	APPD.

ø1.10(OPTIONAL)



ø1.10(OPTIONAL)

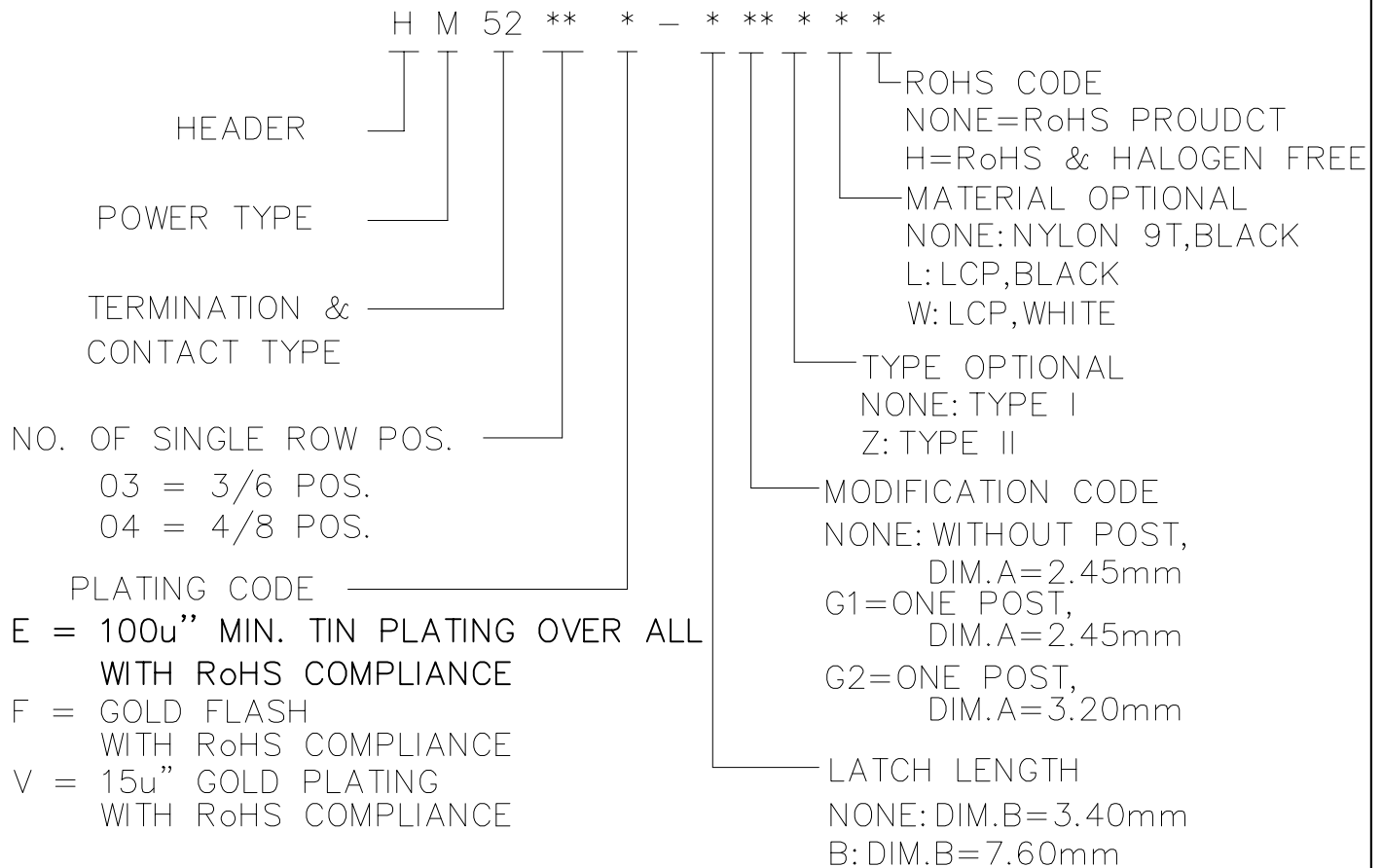
ONLY FOR HM5205*-*-*
TYPE I

X. ±	X° ±	UNITS mm	NAME(INTENDED USE)	FOXCONN HON HAI PRECISION IND. CO.,LTD. TAIPEI, TAIWAN, R.O.C.
.X ± 0.38	.X° ±	MAT'L	POWER CONN.	
.XX ± 0.25	.XX° ±	FINISH	PART NO.(INTENDED USE)	TITLE:
.XXX ±	.XXX° ±		HM52 SERIES	CUSTOMER DRAWING
THESE DRAWINGS AND SPECIFICATIONS ARE THE PROPERTY OF HON HAI PRECISION IND. CO., LTD. AND SHALL NOT BE REPRODUCED, COPIED OR USED IN ANY MANNER WITHOUT THE PRIOR WRITTEN CONSENT OF HON HAI PRECISION IND. CO., LTD.			APPD: Shih-Wei Hsiao	DWG NO.:
			CHKD: Yusan Hsiao	307-0000-1028
			DR: Xu Liu 08/10'15	
				SCALE SHEET REV.
				1/1 3/3 DX2

ITEM	DESC.	Q'TY	MATERIAL	TREATMENT	REMARK
1	HOUSING	1	HIGH TEMP. THERMOPLASTIC UL94 V-0	SEE NOTES	
2	CONTACT	SEE NOTES BELOW	COPPER ALLOY	A) NICKEL PLATING OVER ALL. THICKNESS : 50u" MIN. B) TIN OR GOLD PLATING ON CONTACT AREA SEE NOTES	

NOTES :

- HARMFUL MATERIAL CONTROL PLEASE FOLLOW FOXCONN'S DOC. "EPI12".
- THE CONCENTRATIONS OF Br&Cl CAN SATISFY THE REQUIREMENTS OF HALOGEN-FREE IN DOCUMENT EPI12.
- PRODUCT NO. MATRIX:



- PLEASE CONTACT FOXCONN SALES REPRESENTATIVE TO VERIFY PRODUCT DETAILS&AVAILABILITY.

FOXCONN HON HAI PRECISION IND. CO.,LTD.
TAIPEI, TAIWAN, R.O.C.

D	BC087050911	Jake W.Yuan
C	BC087037601	Jake W.Yuan
B	BC077037018	Yusan
A	BC077023209	Yusan
REV.	ECN NO.	APPD.

APPD. : Shih-Wei Hsiao	TITLE : MATERIAL LIST POWER HEADER,VERTICAL,T/H
CHKD. : Yusan Hsiao	PROD. SERIES : HM52 SERIES
DR. : Xu Liu 07/31'14	DWG. NO : 307-0500-1028
	REV. : DX3 SHEET : 1/1

PRODUCT SPECIFICATIONS:

1. MATERIAL AND FINISH:

1-1. HOUSING :

HIGH TEMPERATURE , THERMOPLASTIC , UL94 V-0 RATING.

1-2. CONTACT:

COPPER ALLOY, 50u" MIN. NICKEL UNDER PLATING, TIN OR GOLD PLATING ON CONTACT AREA WITH RoHS COMPLIANCE.

2. ELECTRICAL CHARACTERISTICS:

2-1. CONTACT CURRENT RATING & APPLICABLE WIRES (UNIT: AMPS) .

Wire \ POS.	2&3	4-6	7-10	12-24
AWG#16	9	8	7	6
AWG#18	9	8	7	6
AWG#20	7	6	5	5
AWG#22	5	4	4	4
AWG#24	4	3	3	3
AWG#26	3	2	2	2
AWG#28	2	1	1	1

2-2. DIELECTRIC WITHSTANDING VOLTAGE: 1500 VAC AT SEA LEVEL.

2-3. INSULATION RESISTANCE: 1000 MEGOHMS MIN. .

3. MECHANICAL CHARACTERISTICS:

3-1. CONTACT RETENTION FORCE: 3 LBS(1.36 Kg) MIN. PER CONTACT.

4. ENVIRONMENTAL DATA:

4-1. SOLDERABILITY: PASSED EIA 364-52.

4-2. OPERATION TEMPERATURE: -40°C TO +105°C

4-3. HARMFUL MATERIAL CONTROL PLEASE FOLLOW FOXCONN'S DOC. "EPI12".

4-4. THE CONCENTRATIONS OF Br&Cl CAN SATISFY THE REQUIREMENTS OF HALOGEN-FREE IN DOCUMENT EPI12.

5. PLEASE CONTACT FOXCONN SALES REPRESENTATIVE TO VERIFY PRODUCT DETAIL&AVAILABILITY.

FOXCONN HON HAI PRECISION IND. CO.,LTD.
TAIPEI, TAIWAN, R.O.C.

APPD. : Jake W.Yuan

TITLE : SPECIFICATION
POWER HEADER,VERTICAL,T/H

CHKD. : D.J.Chen

PROD. SERIES : HM52 SERIES

DR. : Betty Xie
5/27'08

DWG. NO : 307-0300-1028

REV. : B SHEET : 1/1

B	BC087050908	Jake W.Yuan
A	BC077023222	Yusan
REV.	ECN NO.	APPD.