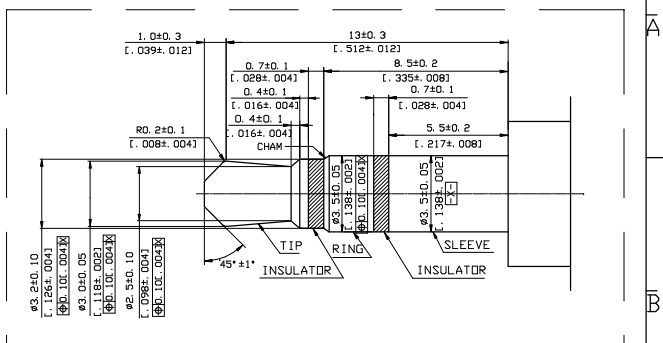
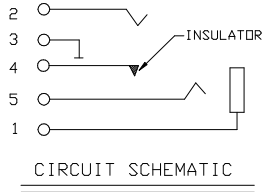
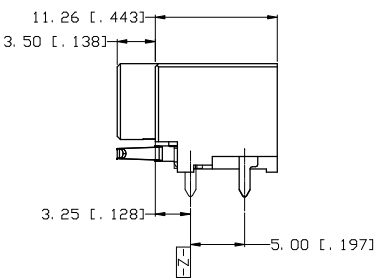
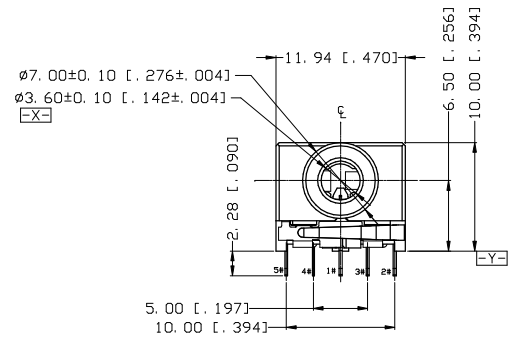
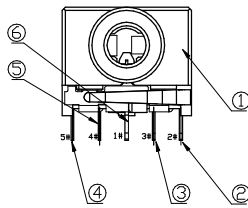
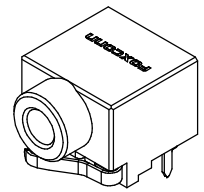
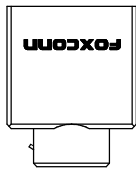
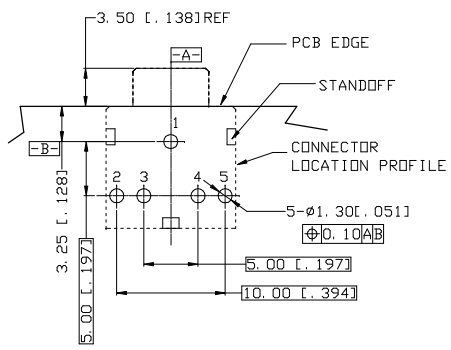
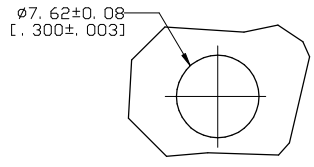
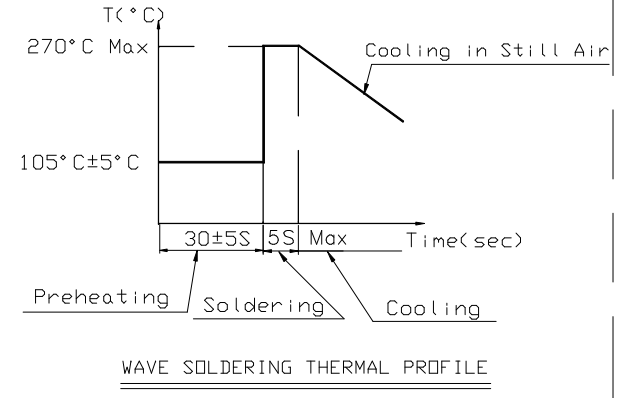


REV.	ECN. NO.	APPD.
A	BC-09-7100839	COREL
B	BC-11-0095529	COREL
C	BC-13-0084712	Adward Zheng
D	BC-14-0017943	Adward Zheng



THE RECOMMENDED MATING PLUG (SCALE 2:1)
COMPLY WITH JIS C 6560, JC-35-P-3



DEFAULT TOLERANCE ± 0.05 [\pm . 002]
 RECOMMENDED PCB'S THICKNESS : 1.57 ± 0.05 [. 062 \pm . 002]

- SPECIFICATION:
- ELECTRICAL CHARACTERISTICS:
 - CURRENT RATING: 1 AMPERE PER CONTACT.
 - DIELECTRIC WITHSTANDING VOLTAGE: 500VAC.
 - INSULATION RESISTANCE: 100MEG OHMS MIN.
 - CONTACT RESISTANCE: 50 MILLIOHMS MAX. (INITIAL), 100 MILLIOHMS MAX. (AFTER LIFE TEST)
 - MECHANICAL CHARACTERISTICS:
 - MATING AND UNMATING FORCE: 0.4~3.0Kgf (INITIAL), 0.3~3.0Kgf (AFTER LIFE TEST).
 - DURABILITY: 1500 CYCLES.
 - ENVIRONMENTAL CHARACTERISTICS:
 - STORAGE TEMPERATURE : -40°C TO +85°C
OPERATION TEMPERATURE : -20°C TO +70°C
 - RoHS COMPLIANT

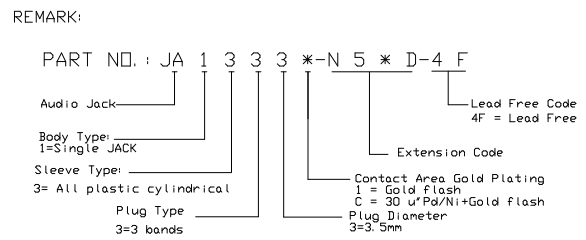


TABLE 1

PART NO.	COLOR
JA1333*-N50D-4F	BLACK
JA1333*-N51D-4F	PINK
JA1333*-N54D-4F	LIME
JA1333*-N53D-4F	LIGHT BLUE

ITEM	DESCRIPTION	Q'TY	MATERIAL	FINISH
⑥	Contact #1	1	COPPER ALLOY	Sn PLATING OVER NICKEL PLATING
⑤	CONTACT #4	1	COPPER ALLOY <INSERT MOLDING PART THERMOPLASTIC UL 94V-0 BLACK>	NICKEL UNDERPLATING GOLD FLASH AT CONTACT AREA GOLD FLASH AT TAIL
④	CONTACT #5	1	COPPER ALLOY	NICKEL UNDERPLATING SEE PART NO REMARK AT CONTACT AREA GOLD FLASH AT TAIL
③	CONTACT #2	1	COPPER ALLOY	NICKEL UNDERPLATING SEE PART NO REMARK AT CONTACT AREA GOLD FLASH AT TAIL
②	CONTACT #3	1	COPPER ALLOY	NICKEL UNDERPLATING GOLD FLASH AT CONTACT AREA GOLD FLASH AT TAIL
①	HOUSING	1	THERMOPLASTIC UL 94V-0	COLOR SEE TABLE1

X. \pm	X*. \pm	UNITS mm [inch]	NAME (INTENDED USE)	FOXCONN®
. X ± 0.3 [. 012]	. X* \pm	MAT'L	CUSTOMER	FOXCONN INTERCONNECT TECHNOLOGY LIMITED.
. XX ± 0.25 [. 010]	. XX* \pm	N/A	PART NO. (INTENDED USE)	CLASS: <input type="checkbox"/> CONFIDENTIAL <input type="checkbox"/> SECRET <input checked="" type="checkbox"/> GENERAL
. XXX \pm	. XXX* \pm	FINISH	JA1333*-N5*D-4F	TITLE: $\phi 3.50$ SINGLE HD AUDIO JACK
THESE DRAWINGS AND SPECIFICATIONS ARE THE PROPERTY OF FOXCONN INTERCONNECT TECHNOLOGY LIMITED, AND SHALL NOT BE REPRODUCED, COPIED OR USED IN ANY MANNER WITHOUT THE PRIOR WRITTEN CONSENT OF FOXCONN INTERCONNECT TECHNOLOGY LIMITED.			APPD: Dean Zhang 04/11'14	DWG NO.: 305-0000-4039
			CHKD: Radar Sun 04/11'14	
			DR: Clay Shao 04/11'14	
				SCALE SHEET REV. 1:1 1/1 D