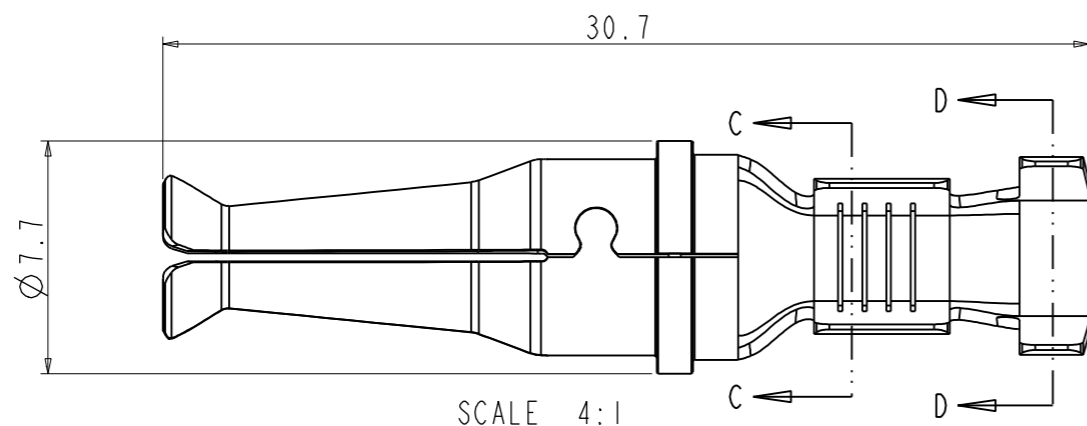
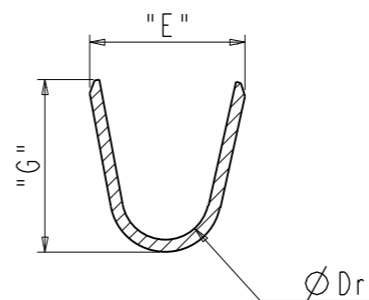
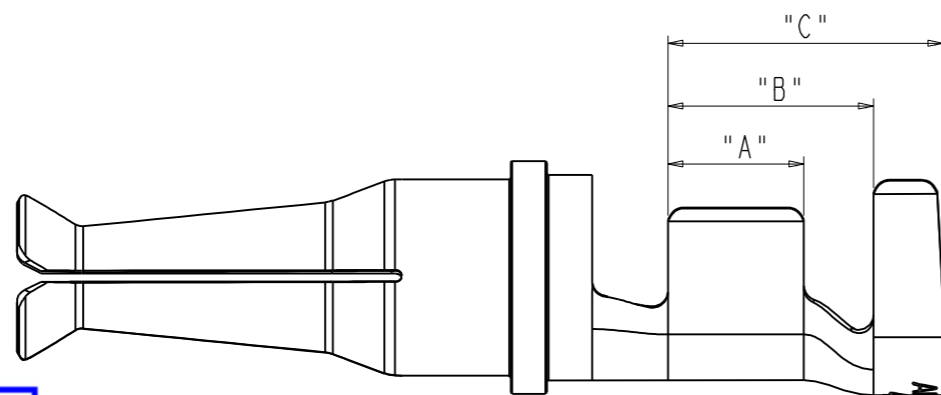
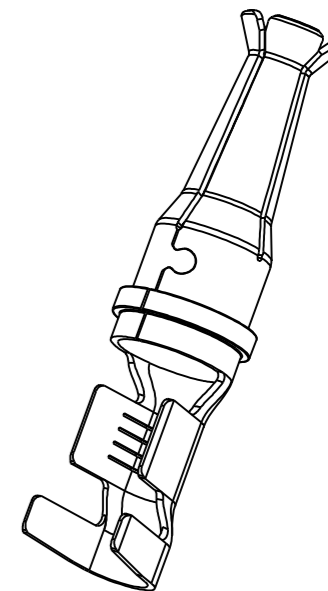
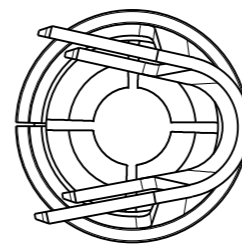


Amphenol PCD SZ
ORIGINAL
PDF Format
R&D

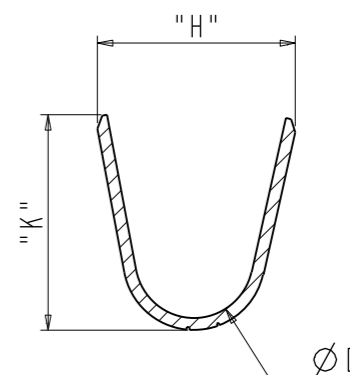
REV	ECN	DESCRIPTION	DATE	MODIFIED
A	C2569	RELEASE	Dec-06-17	Rock
B	C4560N	UPDATE .X TOLERANCES, 0.1 TO 0.5mm	Jul-14-20	LUIK



SCALE 4:1



SECTION C-C



SECTION D-D

C-C310026001

C-C310026001

安费诺精密连接器(深圳)有限公司
Amphenol PCD Shenzhen
受控文件
2020年7月15日

- NOTES:
- ✦ 1. MATERIAL: COPPER ALLOY, T=0.4mm
 - 2. PLATING: SILVER FINISHED
 - 3. CURRENT CARRYING CAPACITY:
40A@ 6mm² WIRE
32A@ 4mm² WIRE
23A@ 2.5mm² WIRE
 - 4. CONTACT RESISTANCE: <5mΩ
 - ✦ 5. ROHS COMPLIANCE

PART NUMBER	WIRE RANGE	INSULATION OD	CRIMP DIMENSION (mm)				
			"A"	"B"	"C"	WIRE CRIMP	INSULATION CRIMP
C310026001	4~6mm ²	∅3.40mm~∅4.30mm	4.5	7.2	9.4	E=5.0 G=5.6 ∅Dr=2.9	H=6.8 K=7.0 ∅D=4.3
C310026003	1.5-2.5mm ²	∅2.20mm~∅3.00mm	3.5	4.7	6.3	E=3.8 G=4.0 ∅Dr=1.7	H=4.7 K=4.9 ∅D=2.6



DIMENSIONS ANSI Y14.5M UNITS: MM Pro/E FILE	TOLERANCES .X ±0.5 .XX ±0.05 ANGLES ±2°	PROJECTION 	Amphenol PCD Shenzhen		8# FEMALE CONTACT		
			ENGR Rock	Dec-06-17			
ORIGINAL	THIS DOCUMENT CONTAINS PROPRIETARY INFORMATION WHICH IS THE CONFIDENTIAL PROPERTY OF AMPHENOL PCD SHENZHEN		CHKD <i>Senbas</i>	SIZE A3	DWG NO. C-C310026001	REV B	
			APPD <i>Rock.chen</i>	CODE: 58982	SCALE: 6:1	SHEET 1 OF 1	