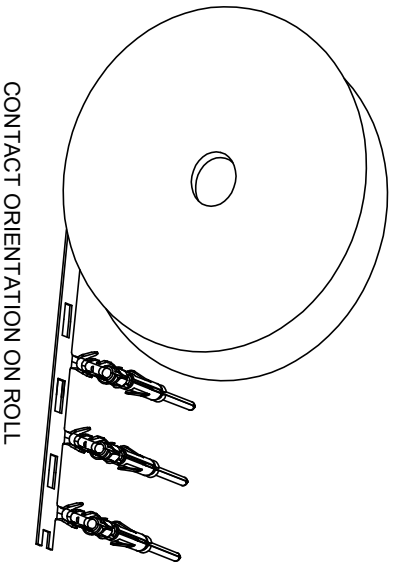


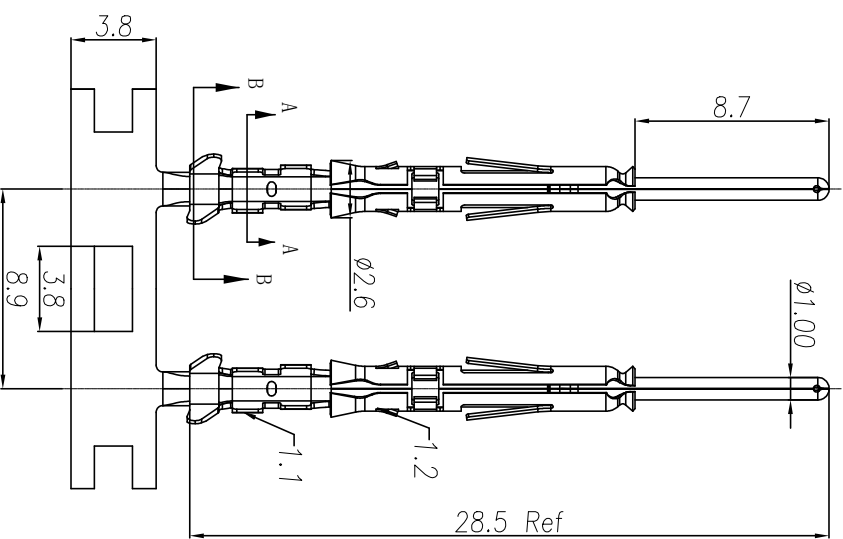
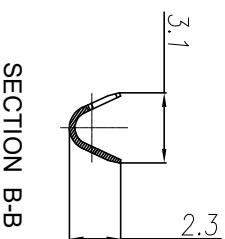
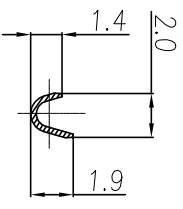
REVISIONS					
REV	ECO	DESCRIPTION	DATE	BY	APPR
B1	-	RELEASED DRAWING	JAN-18-2014	ARROW	TOMMY
B2	-	CHANGE HAND CRIMPER	Nov-8-19	Flan	Tommy



NOTES: (UNLESS OTHERWISE SPECIFIED)

- MATERIAL:
  - CONTACT BODY: COPPER ALLOY.
  - OUTER SPRING: STAINLESS STEEL.
- SPECIFICATIONS:
  - CURRENT RATING: 5A MAX.
  - TERMINATION TYPE: CRIMPING.
  - WIRE RANGE: 24~26AWG.
  - WIRE INSULATION DIA(MAX):  $\varnothing 2.2\text{mm}$ .
- ROHS COMPLIANT.
- ALL DIMENSIONS ARE FOR REFERENCE USE ONLY.
- AVAILABLE TOOLS:
  - HAND CRIMPER: MFX-3958 (B2)
  - CRIMP APPLICATOR: MFX-3957.
  - EXTRACTION TOOL: QXRT20.

P/N	CONTACT PLATING(MATING AREA)
SP24W1T	TIN PLATING OVER NICKEL.
SP24W1F	GOLD FLASH PLATING OVER NICKEL.
SP24W1G10	10 $\mu$ " GOLD PLATING OVER NICKEL.
SP24W1G15	15 $\mu$ " GOLD PLATING OVER NICKEL.
SP24W1G30	30 $\mu$ " GOLD PLATING OVER NICKEL.



QUANTITY	PART NUMBER	DESCRIPTION	ITEM

**MATERIALS LIST**

UNLESS OTHERWISE SPECIFIED			
1) All dimensions are in millimeters.	DRAWN:	DATE:	
2) Tolerances are as follows:	Ill	Nov-8-19	
1 Pt. DEC 24-30	Marin	Nov-8-19	
3 Pt. DEC 20-25	Adrian ST		
3) Note reference = $\Delta$	ENGINEER:	APPROVE:	CUSTOMER:
	Tommy	Tommy	Nov-8-19

PROCESS SPECIFICATIONS		MATERIAL SPECIFICATIONS	

NEXT ASSEMBLY			

ECO-MATE PIN CONTACT			

STAMPED, 24-26AWG, SIZE 20			

Amphenol			

Sine Systems - www.amphenol-sine.com			

44724 Montley Drive			

Clinton Township, MI 48038			

SCALE: NONE			

SHEET 1 OF 1			

TITLE: ECO-MATE PIN CONTACT, STAMPED, 24-26AWG, SIZE 20			

DWG NO.: SP24W1XX			

REV: B2			

SH: 1			

OF: 1			