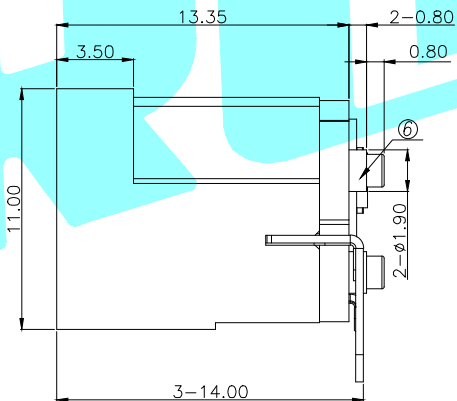
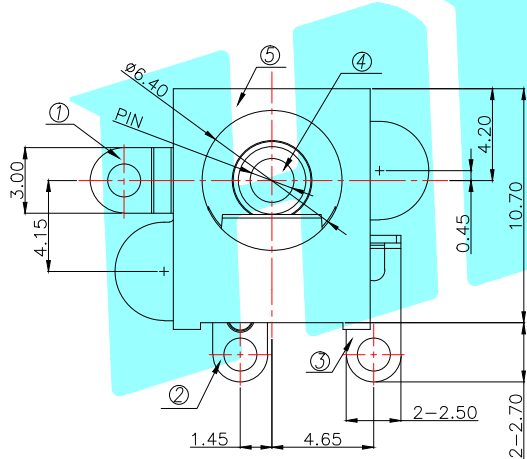
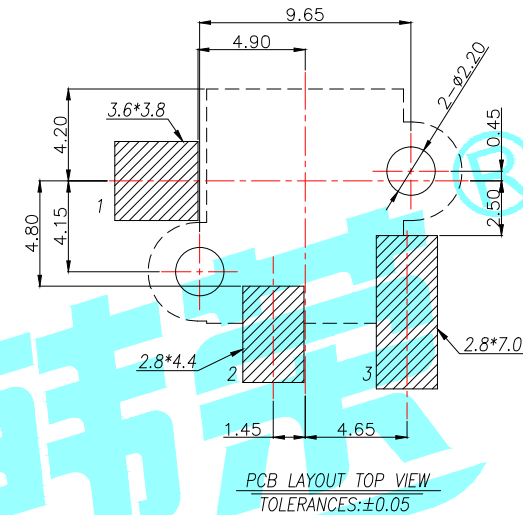
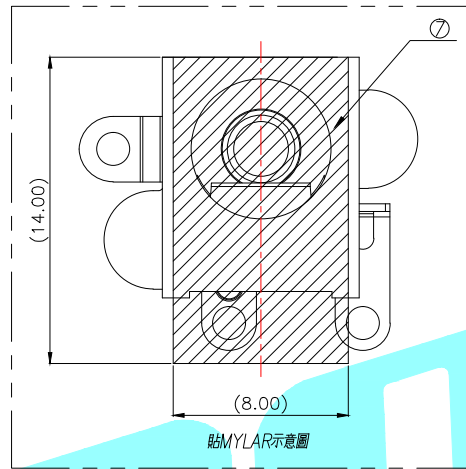
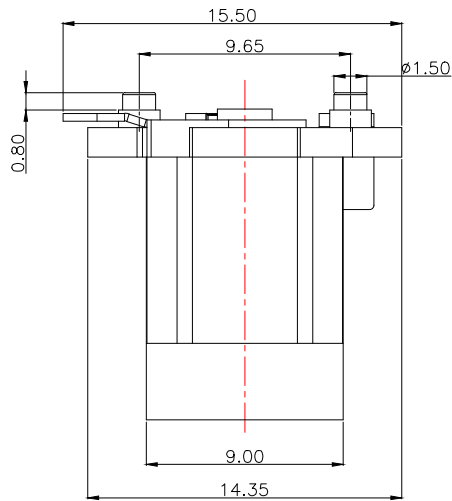
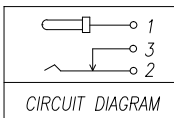


# ROHS



### SPECIFICATIONS:

- ELECTRICAL CHARACTERISTICS:
  - RATING: 20V, 7A Min.
  - CONTACT RESISTANCE: 50 MILLIOHMS Max. FOR INITIAL, 80 MILLIOHMS Max. AFTER 5000 CYCLES.
  - INSULATION RESISTANCE: 100 MEGAOHMS Min. BY 500V DC AFTER 1 MINUTE.
  - DIELECTRIC WITHSTANDING VOLTAGE: 500V RMS AFTER 1 MINUTE.
- MECHANICAL CHARACTERISTICS:
  - INSERTION FORCE : 0.3~3.0 KGF(2.94~29.4N)
  - WITHDRAWAL FORCE : 0.3~3.0 KGF(2.94~29.4N)
- LIFE TEST: 5,000 CYCLES MIN.



Model No.	DC-182-20A	DC-182-25A
PIN	∅2.0	∅2.5

ITEM	PART NAME	TER'NO.	QTY.	MATERIAL	FINISHING	REMARK
⑦	COVER	---	1	N/A	AMBER	---
⑥	COVER	---	1	NYLON	Black	---
⑤	HOUSING	---	1	NYLON	Black	---
④	CENTER PIN	---	1	BRASS	Ni Plating	---
③	TERMINAL 3	---	1	COPPER ALLOY	Ag Plating	---
②	TERMINAL 2	---	1	COPPER ALLOY	Ag Plating	---
①	TERMINAL 1	---	1	COPPER ALLOY	Ag Plating	---

APPROVALS		DATE		HRO 韓綜® ELECTRONICS CO.,LTD			
DRAWN	JKUN.LU	2013/11/11		TITLE:	DC POWER JACK		
CHECKED				PART NO.	DC-182		
APPROVALS				TOLERANCES ARE	30~以上 10~30 5~10 ~ 5	±0.30 ±0.20 ±0.15 ±0.10	ANGLE ±2°
ECN NO.	REV.	DATE.	DESCRIPTION.	CHANGE.	CHECK.	APPRO.	UNIT: mm SCALE: 1:1 DRAWING NO. SHEET 1 OF 1

ECN NO.	REV.	DATE.	DESCRIPTION.	CHANGE.	CHECK.	APPRO.
	A		NEW			