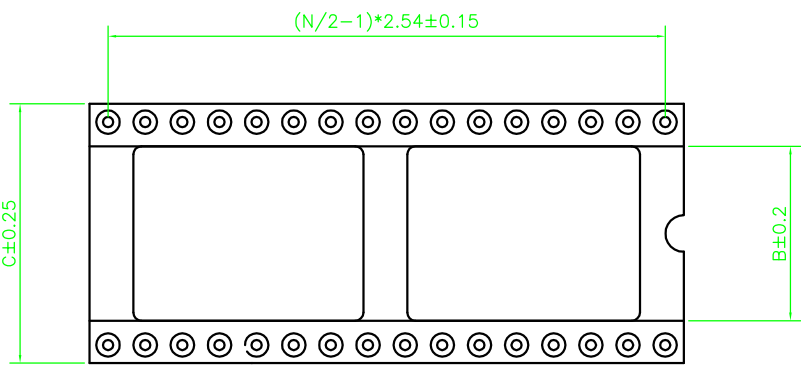
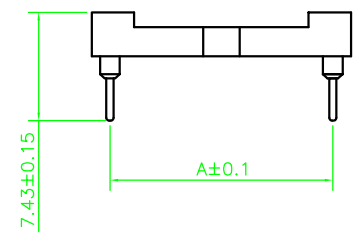
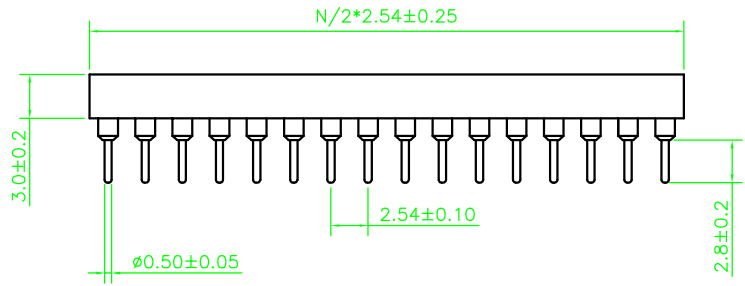


| SIGN | DATE | DESCRIPTION | APPROVER |
|------|------|-------------|----------|
| △    |      |             |          |
| △    |      |             |          |
| △    |      |             |          |



|   | 三型    | 四型    | 六型    | 九型    |
|---|-------|-------|-------|-------|
| A | 7.62  | 10.16 | 15.24 | 22.86 |
| B | 4.14  | 6.68  | 11.76 | 19.38 |
| C | 10.12 | 12.66 | 17.74 | 25.36 |

1.ELECTRICAL:

Current rating:3.0Amps/Contact MAX  
 Contact resistance:20mΩ/ Contact MAX  
 Insulation resistance:1000MΩ at V=100V MIN  
 Operating voltage:60V AC/DC

2.MECHANICAL

Average insertion force with steel pin of ø0.43mm:250g MAX  
 Average with drawal force with steel pin of ø0.43mm:25G MIN  
 Mechanical life cycle:200 cycle MIN  
 Operating temperatures:  
 Gold plated:-55°C to +125°C  
 Tin plated:-40°C ti +105°C  
 Soldering Temperature:PPS:+260°C,10S MAX  
 PBT:+240°C,10S MAX

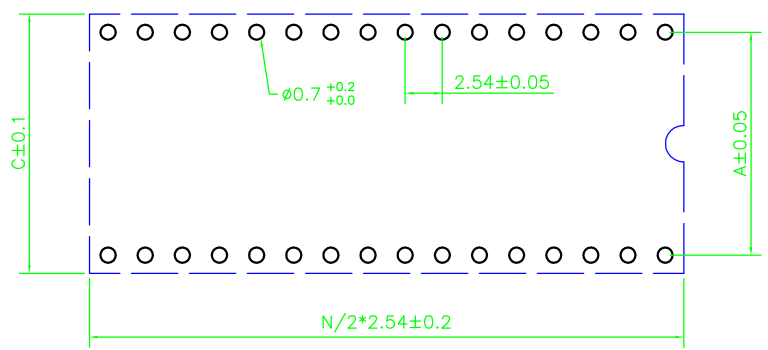
3.Material

PIN: Brass,machined  
 CLIP: Beryllium Copper or Phosphor Bronze  
 Plating(PIN):50u" Ni,100u" Sn(standard)  
 Plating(Clip):50u" Ni,GOLD FLASH(standard)  
 Insulator body(Black):PPS or other(UL94V-0)

## Ordering Information

R - 1 0 0 - X X X - X X - 1 0 0 1 - 0 0

| RoHS  |            | NUMBER OF PIN |               | Dip Spacing |            | Housing type |             | PITCH |            |
|-------|------------|---------------|---------------|-------------|------------|--------------|-------------|-------|------------|
| Code  | Definition | Code          | Number of PIN | Code        | Definition | Code         | Definition  | Code  | Definition |
| Blank | No-RoHS    | 06            | 6Pin          | 3           | 7.62       | 1            | with bar    | 0     | 2.54       |
| R     | RoHS       | ...           | ...           | 4           | 10.16      | 2            | without bar | 7     | 1.778      |
|       |            | 64            | 64Pin         | 6           | 15.24      |              |             |       |            |
|       |            |               |               | 9           | 22.86      |              |             |       |            |



P.C. Board Layout

**JHJM** 深圳市君灏精密工业有限公司  
 SHENZHEN JUNHAO ENGINEERING CO.,LTD

|                                |            |             |          |             |            |
|--------------------------------|------------|-------------|----------|-------------|------------|
| PART. NAME: XX芯X型圆孔IC插座系列      |            |             |          | TITLE:      |            |
| PART. NO.: 100-163-200-1001-00 |            |             |          | DWG NAME:   |            |
| APPROVED BY                    | CHECKED BY | DESIGNED BY | DRAWN BY | CUSTOM NO.: | Tolerance  |
|                                |            |             | Jacky    |             | x. ±0.50   |
|                                |            |             |          | UNITS: mm   | x.x ±0.30  |
|                                |            |             |          | SCALE:      | x.xx ±0.10 |
|                                |            |             |          | REVISION:   | xx° ±1°    |