

REV.	ECN NO.	APPD	DATE
AO	RELEASE	Cheng	10/28/08

NOTES:

1. MATERIALS:

- 1-1. INSULATOR: Polyester UL94V-0.
- 1-2. CONTACT: BRASS.
- 1-3. PLATED: CONTACT GOLD PLATED OVER Ni.

2. ELECTRICAL CHARACTERISTICS:

- 2-1. CURRENT RATING: 3 Amp.
- 2-2. VOLTAGE RATING: 250V AC/DC.
- 2-3. CONTACT RESISTANCE: 20 mOhms MAX.
- 2-4. INSULATION RESISTANCE: 1000 MOhms MIN.
- 2-5. WITHSTANDING VOLTAGE: 500V AC/MINUTE.
- 2-6. Operation Temperature: -25° C~+105° C.

Part NO.

R-213- **1* -002* - **0

NO. Of Positions 04~80

Contact length Dim "A" X "B"

- 1: 3.0x6.0
- 2: 2.4x6.0
- 3: 4.5x6.0
- 5: 2.54x5.84
- 7: 3.2x5.84
- 8: 3.0x10.0
- C: 3.0x4.5
- E: 6.0x6.0

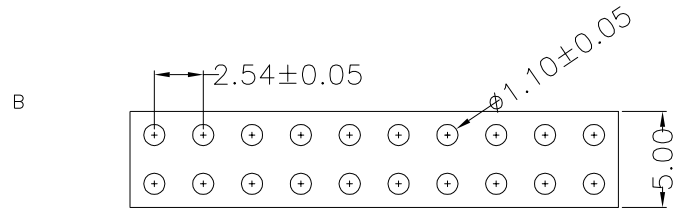
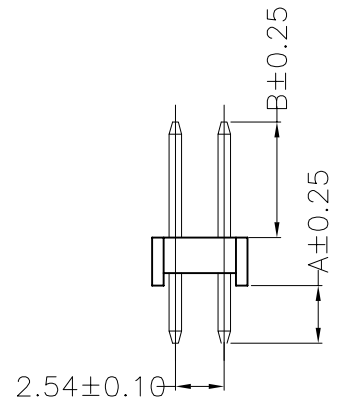
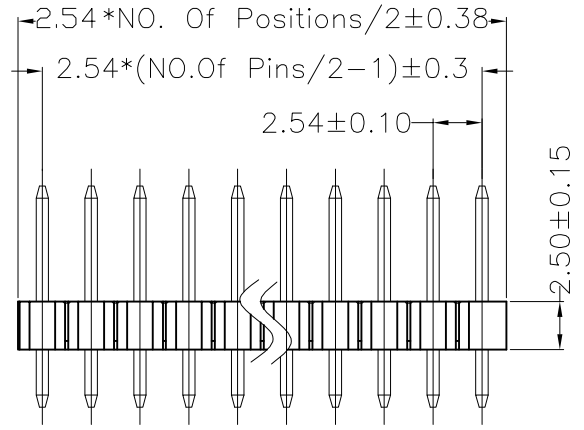
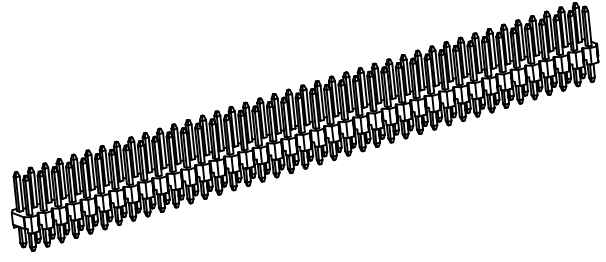
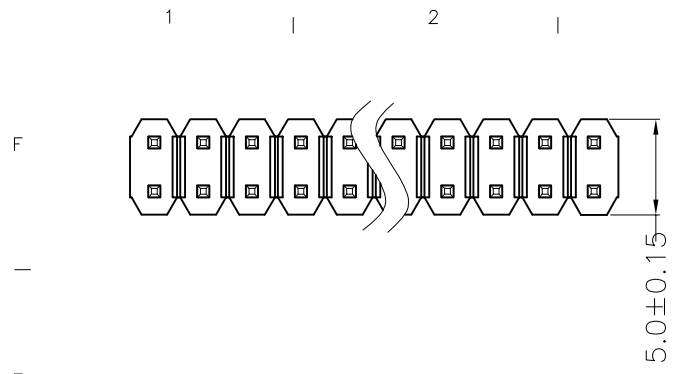
Housing Color

- 0: BLACK
- 2: RED
- 4: YELLOW
- 6: BLUE

Housing Material

- 0: PBT
- 1: LCP
- 4: PA 6T
- 5: PA 9T

Plated See Table (1)



PCB LAYOUT

Table (1)

Code	Definition
1	Gold/Flash
2	Gold 3u"
3	Gold 5u"
4	Gold 10u"
5	Gold 15u"
6	Gold 30u"

X ±0.5	UNITS	NAME:	SHENZHEN SHENLONGFENG INDUSTRY CO.,LTD SHENZHEN JUNHAO ENGINEERING CO.,LTD
.X ±0.38	mm	2.54mm Pin Header Double Row	
.XX ±0.25	MAT'L	PART NO.:	TITLE:
.XXX ±0.08	FINISH	SEE TABLE	2.54mm Pin Header Doble Row Straight Pin
.X" ±2"		APPD: minniehsu	DWG NO.:
		CHKD: jeff	213-8021-4021-001
		DR: cheng	SCALE SHEET REV.
			1:1 1/1 AO

