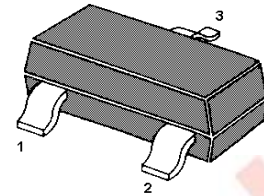


MMBT5551

Features

- ◆ For Switching and Amplifier Applications.
- ◆ Silicon Epitaxial Chip

SOT-23
(TO-236)



1 Base 2. Emitter 3. Collector

Absolute Maximum Ratings ($T_A=25^{\circ}\text{C}$, unless otherwise noted)

Parameter	Symbol	Value	Unit
Collector Base Voltage	V_{CB0}	180	V
Collector Emitter Voltage	V_{CE0}	160	V
Emitter Base Voltage	V_{EB0}	6	V
Collector Current	I_C	600	mA
Power Dissipation	P_D	350	mW
Junction Temperature	T_J	150	$^{\circ}\text{C}$
Storage Temperature Range	T_{STG}	-55 to 150	$^{\circ}\text{C}$

Electrical Characteristics ($T_A=25^{\circ}\text{C}$, unless otherwise noted)

Parameter	Symbol	Min.	Max.	Unit
DC Current Gain at $V_{CE} = 5\text{ V}$, $I_C = 1\text{ mA}$ at $V_{CE} = 5\text{ V}$, $I_C = 10\text{ mA}$ at $V_{CE}=5\text{ V}, I_C=50\text{ mA}$	H_{FE}	80 80 30	- 250 -	- - -
Collector Base Cutoff Current at $V_{CB} = 120\text{ V}$	I_{CB0}	-	50	nA
Emitter Base Cutoff Current at $V_{EB}=4\text{ V}$	I_{EB0}	-	50	nA
Collector Base Breakdown Voltage at $I_C = 100\text{ }\mu\text{A}$	$V_{(BR)CB0}$	180	-	V
Collector Emitter Breakdown Voltage at $I_C = 1\text{ mA}$	$V_{(BR)CE0}$	160	-	V
Emitter Base Breakdown Voltage at $I_E = 10\text{ }\mu\text{A}$	$V_{(BR)EB0}$	6	-	V
Collector Emitter Saturation Voltage at $I_C = 10\text{ mA}$, $I_B = 1\text{ mA}$ at $I_C=50\text{ mA}$, $I_B=5\text{ mA}$	$V_{CE(sat)}$	- -	0.15 0.2	V
Base Emitter Saturation Voltage at $I_C = 10\text{ mA}$, $I_B = 1\text{ mA}$ at $I_C=50\text{ mA}, I_B=5\text{ mA}$	$V_{BE(sat)}$	- -	1 1	V
Transition Frequency at $V_{CE} = 5\text{ V}$, $I_C = 1\text{ mA}$, $f=100\text{ MHz}$	F_T	100	300	MHz
Collector Base Capacitance at $V_{CB}=10\text{ V}, f=1\text{ MHz}$	C_{OB}	-	6	PF

Typical Characteristics Curves

Fig. 1 $h_{FE} - I_C$

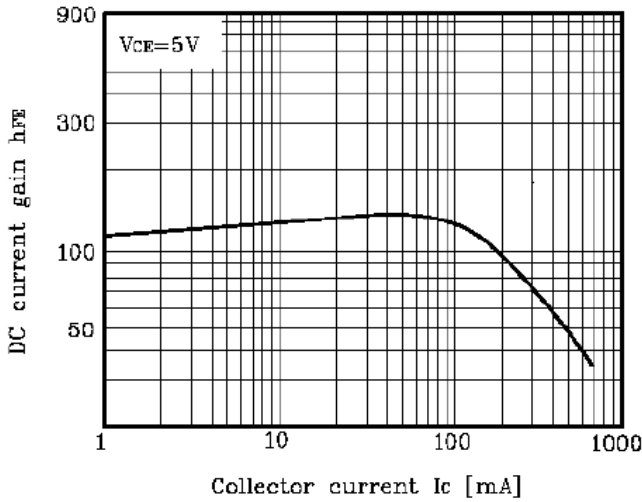


Fig. 2 $I_C - V_{BE}$

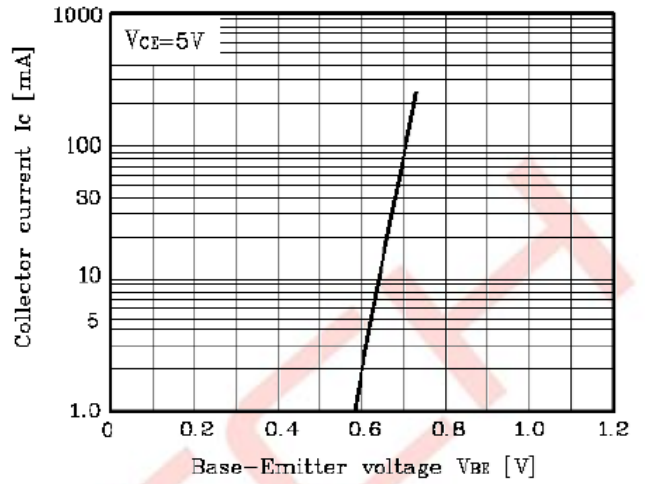


Fig. 3 $f_T - I_C$

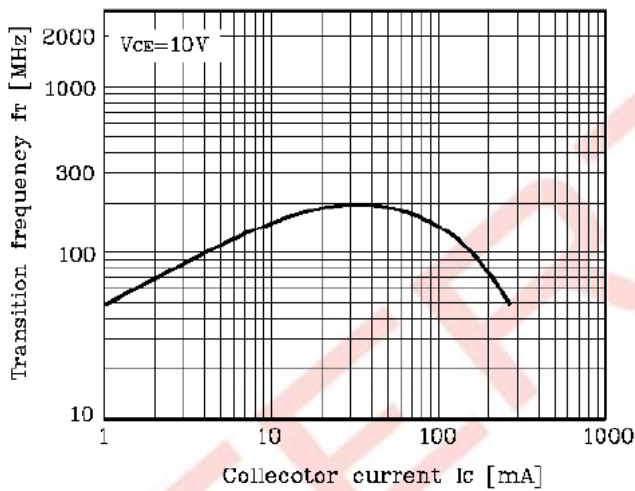


Fig. 4 $V_{CE(sat)}, V_{BE(sat)} - I_C$

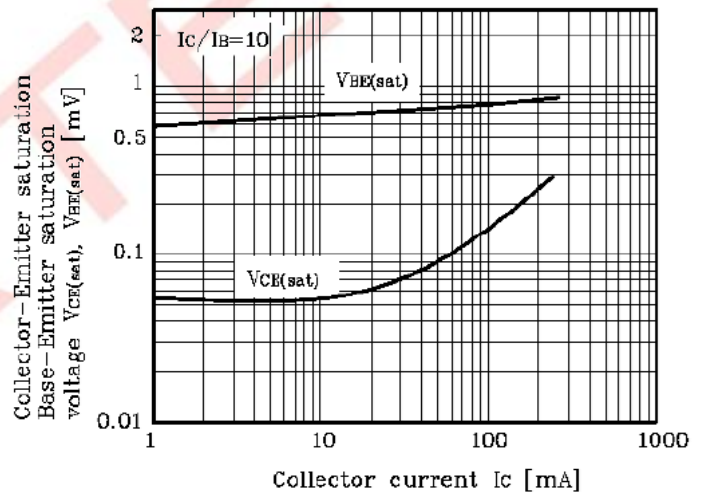


Fig. 5 $C_{ob} - V_{CB}$

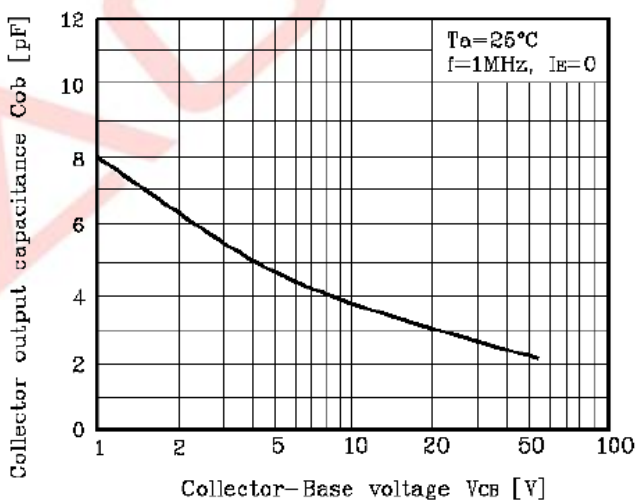
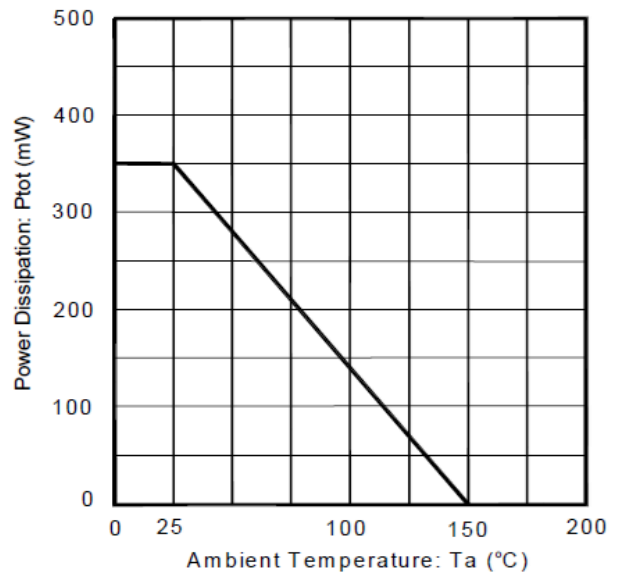


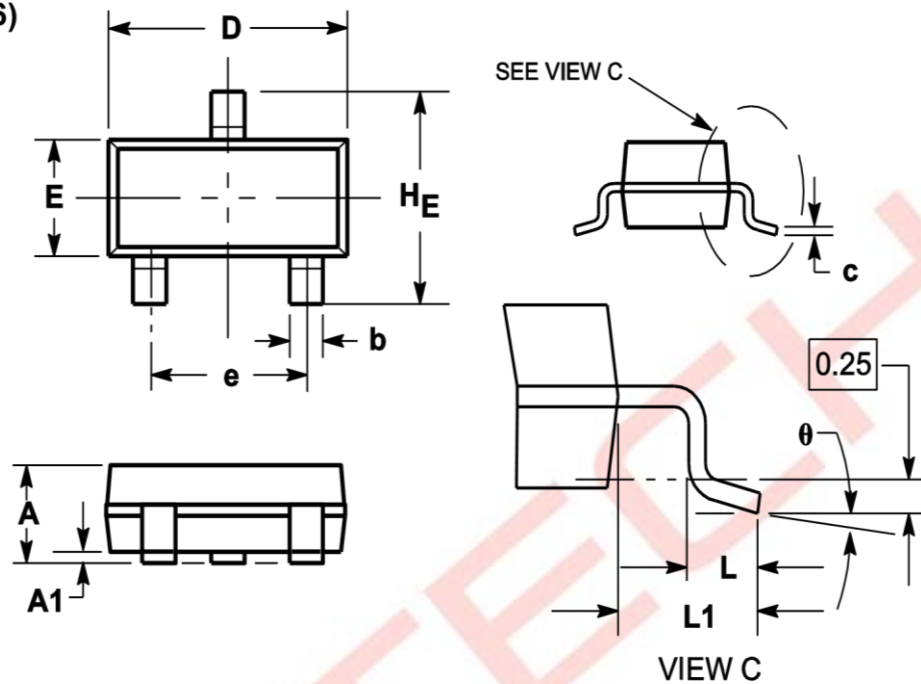
Fig. 6 Power Derating Curve



MMBT5551

Package Outline

SOT-23 (TO-236)



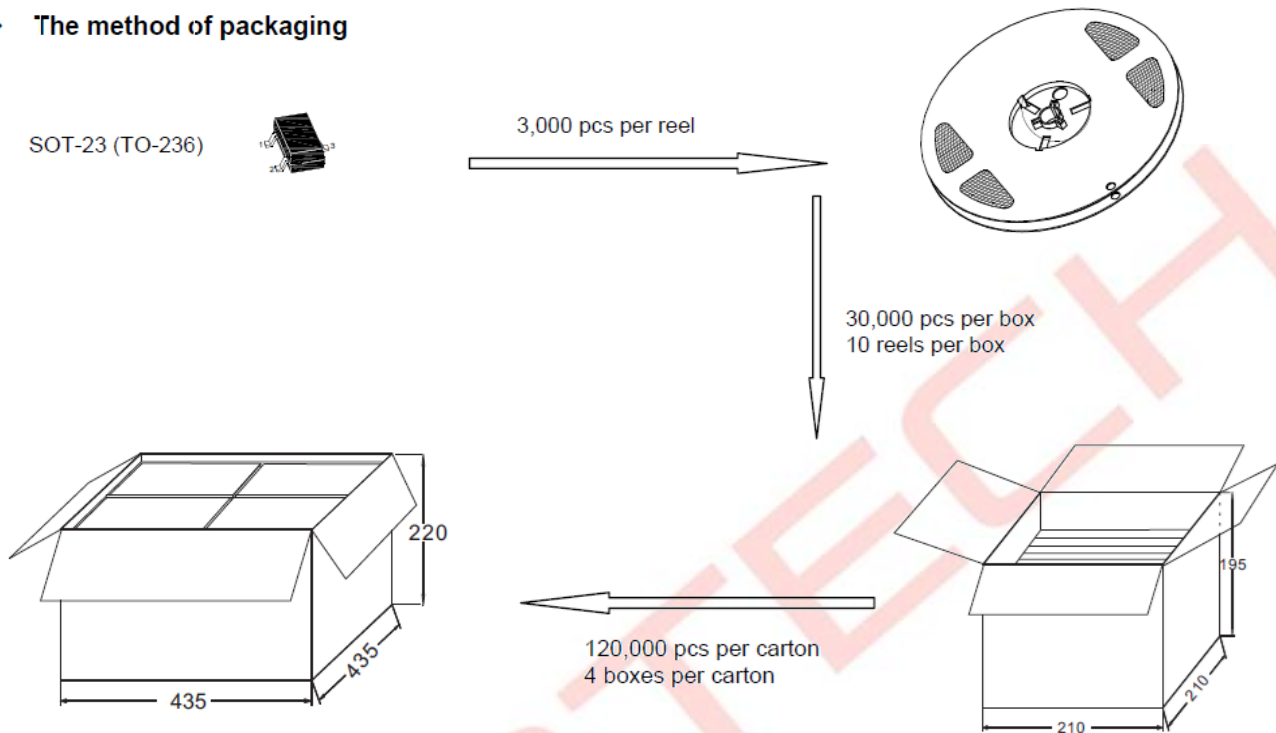
Symbol	Dimensions in millimeter		
	Min.	Typ.	Max.
A	0.900	1.025	1.150
A1	0.000	0.050	0.100
b	0.300	0.400	0.500
c	0.080	0.115	0.150
D	2.800	2.900	3.000
E	1.200	1.300	1.400
HE	2.250	2.400	2.550
e	1.800	1.900	2.000
L1	0.550REF		
L	0.300		0.500
θ	0°		8°

Device	Package	Reel Dimension (inch)	Shipping
MMBT5551	SOT-23	7	3,000

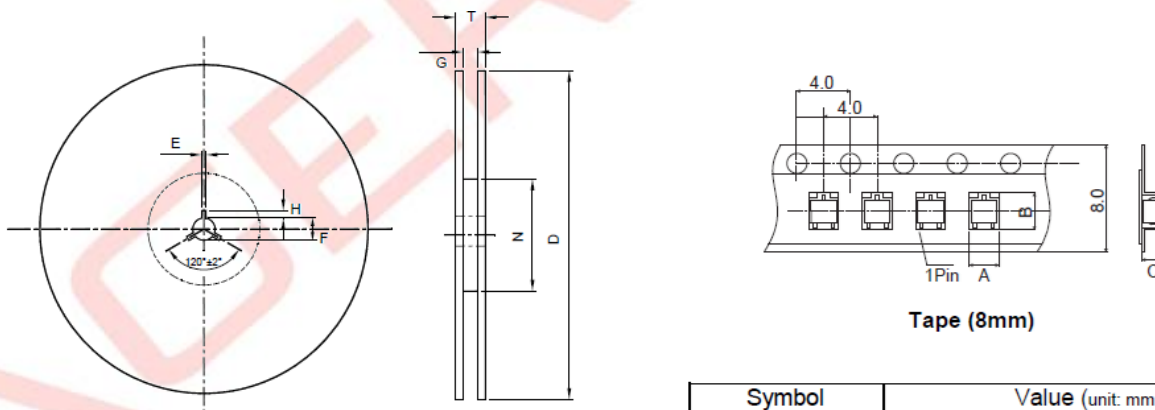
MMBT5551

Package Specifications

◆ The method of packaging



◆ Embossed tape and reel data



Symbol	Value (unit: mm)
A	3.15 ± 0.1
B	2.7 ± 0.1
C	1.25 ± 0.1
E	2 ± 0.5
F	13 ± 0.5
D	178 ± 2.0
G	8.4 ± 1.5
H	4 ± 0.5
N	60
T	< 14.9