

**DUAL LOW POWER CMOS OPERATIONAL AMPLIFIER**
**DESCRIPTION**

The HT6482A is a dual low power CMOS operational amplifiers IC which provides high performance operation at low supply voltages. The basic amplifier can operate at supply voltage as low as 1.4V with very low power consumption and makes it perfect for battery-powered application. The input common-mode voltage extends to the negative rail. The output swings to both rails with light load. The input bias current is inherently low and the input impedance is extremely high. The devices are ideal upgrades for industrial standards operational amplifiers.

**FEATURES**

- Low Power Replacement for Standard OP Amps
- Wide supply operating range (1.4V to 7V)
- Input common-mode voltage range includes negative rail
- Output swing to rail
- Low input bias current (typical 1pA)
- High input impedance
- Single supply operation
- Internal compensated
- Output short circuit protection

**APPLICATIONS**

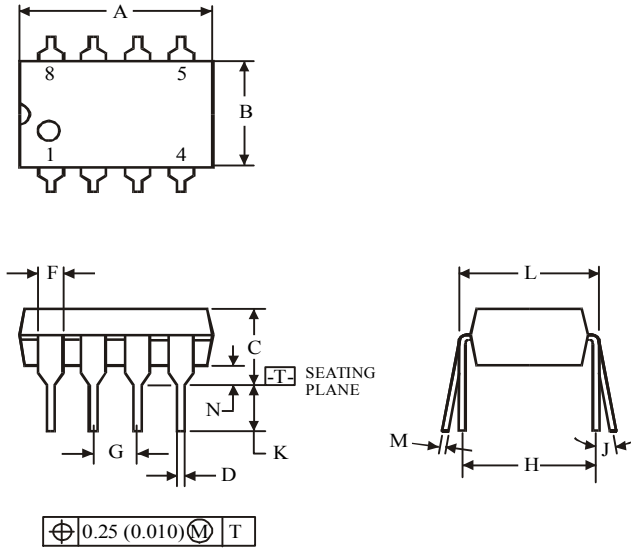
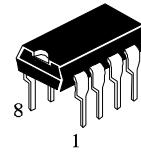
- Portable Instruments
- Battery-Powered Systems
- Transducer Interfacing
- Active Filter
- High Impedance Buffer

**ABSOLUTE MAXIMUM RATINGS**

Characteristic	Symbol	Value	Unit
Power Supply Voltage	$V_{CC}$	8.5	V
Input Voltage	$V_{IN}$	-0.3 to $V_{CC} + 0.3$	V
Output Shot Circuit to GND	$I_{SC}$	Continuous	
Operating Temperature Range	$T_{opr}$	0 ~ +70	°C
Storage Temperature Range	$T_{stg}$	-65 ~ +150	°C

**ELECTRICAL CHARACTERISTICS** ( $V_{CC} = 3.0V$ ,  $T_A = 25^\circ C$ , unless otherwise specified)

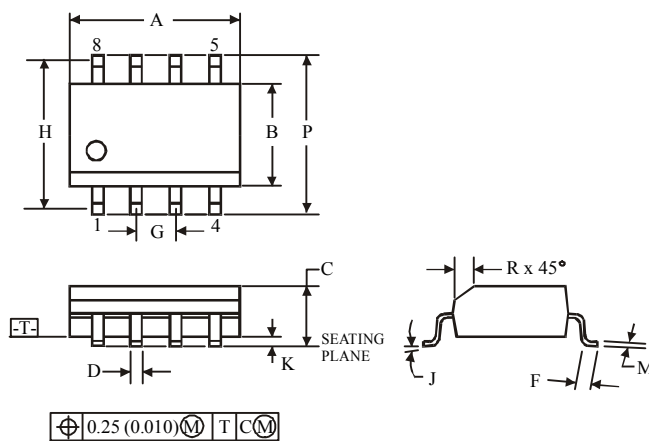
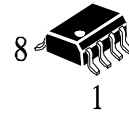
Characteristic	Symbol	Test Condition	Min	Typ	Max	Unit
Input Offset Voltage	$V_{IO}$	$V_{ICM}=0V$ to $V_{CC}-1.5V$		1.5	5.0	mV
Input Offset Voltage Drift	$\Delta V_{IO}/\Delta T$			0.7		$\mu V/^\circ C$
Input Offset Current	$I_{IO}$			1		$\rho A$
Input Bias Current	$I_{IB}$			1		$\rho A$
Input Common Mode Voltage Range	$V_{ICR}$		0		$V_{CC}-1.3$	V
Supply Current (per amplifier)	$I_{CC}$			5	9	$\mu A$
Large Signal Voltage Gain	$A_V$	$V_O=1V$ to $2V$ ; $V_{IN}=1.4V$ ; $R_L=1M\Omega$	20	100		V/mV
Output Voltage Swing	$V_{OH}$	$V_{IN}=10mV$ ; $R_L=1M\Omega$ (to V-)	2.95	2.99		V
		$V_{IN}=10mV$ ; $R_L=10K\Omega$ (to V-)		2.6		
		$V_{IN}=10mV$ ; $R_L=1M\Omega$ (to V+)		0.2	0.5	
Common Mode Rejection Ratio	CMRR	$V_O=1V$ ; $V_{IN}=0V$ to $2.0V$ ;	60	80		dB
Output Current	$I_{source}$		1.5	2.5		mA
	$I_{sink}$		3	5		$\mu A$
Differential Input Voltage	$V_{ID}$				$V_{CC}$	V

**(DIP8)**


Symbol	Dimension, mm	
	MIN	MAX
A	8.51	10.16
B	6.1	7.11
C		5.33
D	0.36	0.56
F	1.14	1.78
G	2.54	
H	7.62	
J	0°	10°
K	2.92	3.81
L	7.62	8.26
M	0.2	0.36
N	0.38	

**NOTES:**

- Dimensions "A", "B" do not include mold flash or protrusions.  
Maximum mold flash or protrusions 0.25 mm (0.010) per side.

**(SOP8)**


Symbol	Dimension, mm	
	MIN	MAX
A	4.8	5
B	3.8	4
C	1.35	1.75
D	0.33	0.51
F	0.4	1.27
G	1.27	
H	5.72	
J	0°	8°
K	0.1	0.25
M	0.19	0.25
P	5.8	6.2
R	0.25	0.5

**NOTES:**

- Dimensions A and B do not include mold flash or protrusion.
- Maximum mold flash or protrusion 0.15 mm (0.006) per side for A; for B - 0.25 mm (0.010) per side.