

Very low offset single bipolar operational amplifier

Features

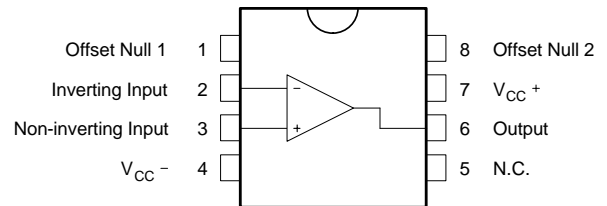
- Extremely low offset: $75\mu\text{V}$ / max.
- Low input bias current: 1.8nA
- LOW V_{io} drift: $0.25\mu\text{V}/^\circ\text{C}$
- Ultra stable with time: $2\mu\text{V}/\text{month}$ max.
- Wide supply voltage range: $\pm 3\text{V}$ to $\pm 22\text{V}$
- Temperature range: 0°C to -105°C

Description

The OP07B is a very high precision op-amp with an offset voltage maximum of $75\mu\text{V}$.

Offering also low input current (1.8nA) and high gain ($400\text{V}/\text{mV}$), the OP07B is particularly suitable for instrumentation applications.

Pin connections
(top view)



1 Schematic diagram

Figure 1. Schematic diagram

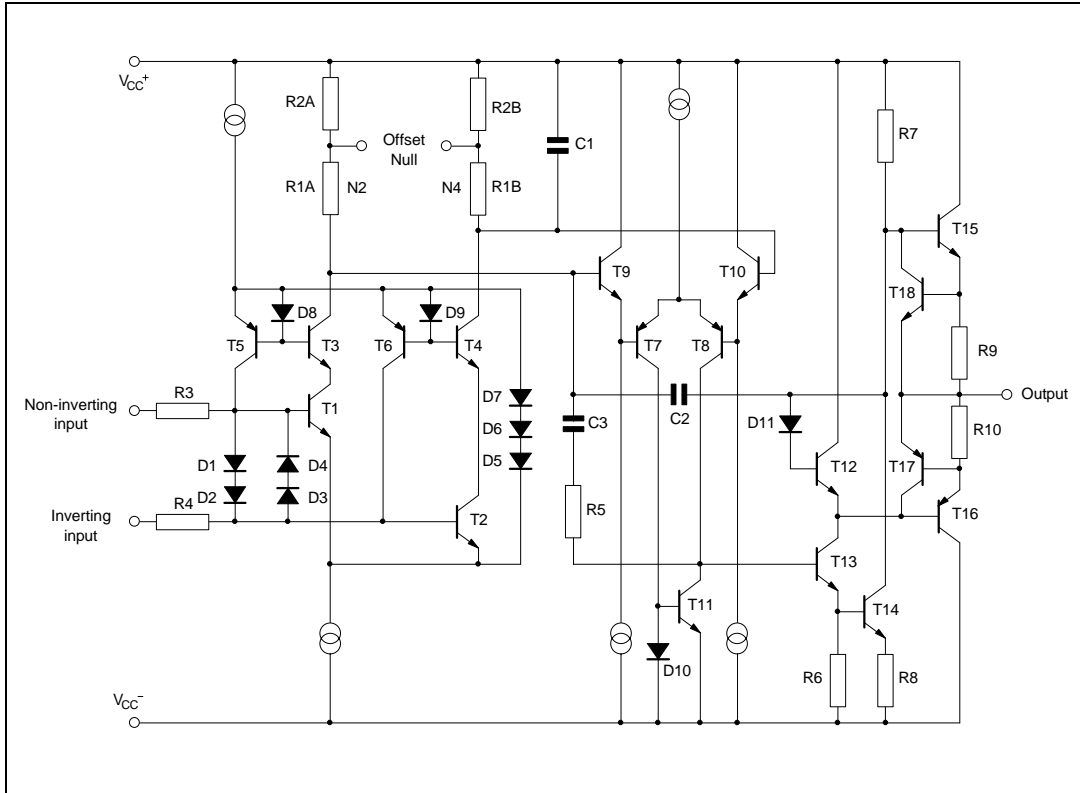
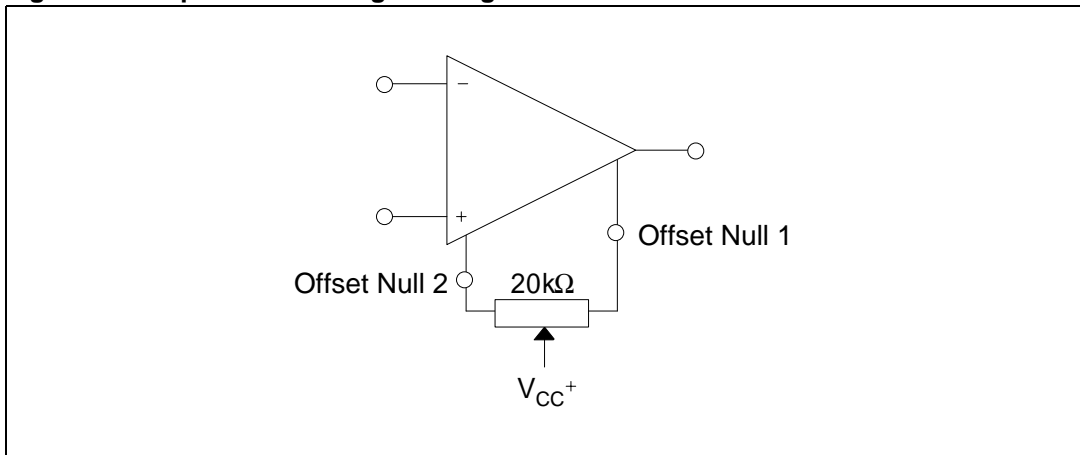


Figure 2. Input offset voltage nulling circuit



2 Absolute maximum ratings

Table 1. Absolute maximum ratings

Symbol	Parameter	Value	Unit
V_{CC}	Supply voltage	± 22	V
V_{id}	Differential input voltage	± 30	V
V_i	Input voltage	± 22	V
T_{oper}	Operating temperature	-40 to 105	°C
T_{stg}	Storage temperature	-65 to 150	°C
R_{thja}	Thermal resistance junction to ambient ^{(1) (2)} DIP8	85	°C/W
R_{thjc}	Thermal resistance junction to case ^{(1) (2)} DIP8	41	°C/W
ESD	HBM: human body model ⁽³⁾	1.5	kV
	MM: machine model ⁽⁴⁾	200	V
	CDM: charged device model ⁽⁵⁾	1.5	kV

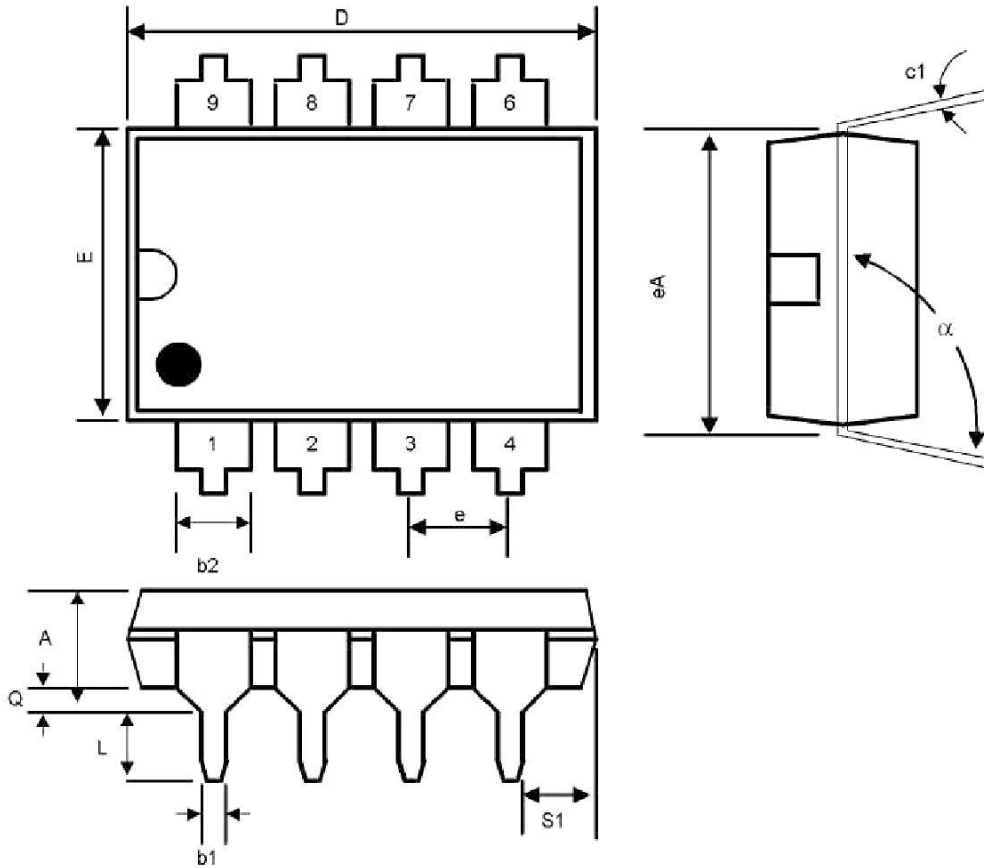
1. Short-circuits can cause excessive heating and destructive dissipation.
2. R_{th} are typical values.
3. Human body model: 100pF discharged through a 1.5k Ω resistor between two pins of the device, done for all couples of pin combinations with other pins floating.
4. Machine model: a 200pF cap is charged to the specified voltage, then discharged directly between two pins of the device with no external series resistor (internal resistor < 5 Ω). Done for all couples of pin combinations with other pins floating.
5. Charged device model: all pins plus package are charged together to the specified voltage and then discharged directly to the ground.

3 Electrical characteristics

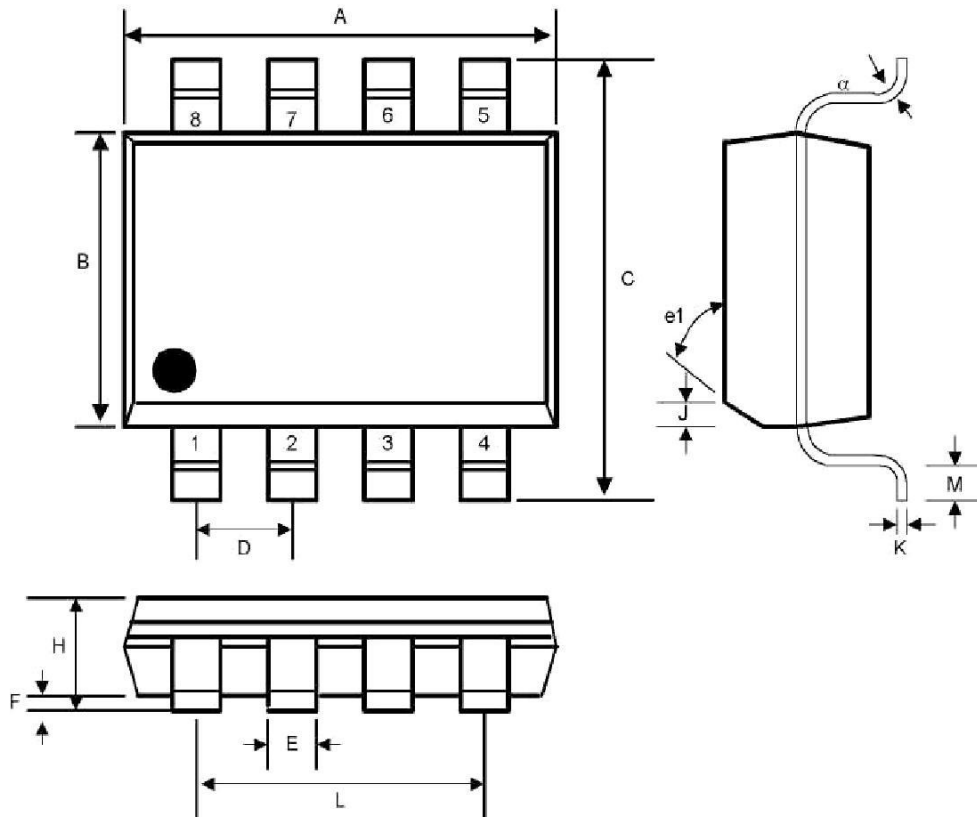
Table 2. $V_{CC^+} = 15\text{ V}$, $V_{CC^-} = \text{Ground}$, $T_{\text{amb}} = 25^\circ\text{ C}$ (unless otherwise specified)

Symbol	Parameter	Min.	Typ.	Max.	Unit
V_{io}	Input offset voltage $0^\circ\text{C} \leq T_{\text{amb}} \leq +105^\circ\text{C}$			25 75	μV
	Long term input offset - voltage stability ⁽¹⁾		0.4	2	$\mu\text{V}/\text{Mo}$
DV_{io}	Input offset voltage drift		0.5	1.8	$\mu\text{V}/^\circ\text{C}$
I_{io}	Input offset current ($V_{ic} = 0\text{V}$) $0^\circ\text{C} \leq T_{\text{amb}} \leq +105^\circ\text{C}$		0.8	3 5	nA
	DI_{io}	Input offset current drift		15	50
DI_{ib}	Input bias current drift		15	50	$\text{pA}/^\circ\text{C}$
R_o	Open loop output resistance		60		Ω
R_{id}	Differential input resistance		33		M Ω
R_{ic}	Common mode input resistance		120		G Ω
V_{icm}	Input common mode voltage range $0^\circ\text{C} \leq T_{\text{amb}} \leq +105^\circ\text{C}$	± 13 ± 13	± 13.5		V
CMR	Common-mode rejection ratio ($V_{ic} = V_{icm\text{-min}}$) $0^\circ\text{C} \leq T_{\text{amb}} \leq +105^\circ\text{C}$	100 97	120		dB
SVR	Supply voltage rejection ratio ($V_{CC} = \pm 3$ to $\pm 18\text{V}$) $0^\circ\text{C} \leq T_{\text{amb}} \leq +105^\circ\text{C}$	90 86	104		dB
A_{vd}	Large signal voltage gain $V_{CC} = \pm 15$, $R_L = 2\text{k}\Omega$, $V_O = \pm 10\text{V}$ $0^\circ\text{C} \leq T_{\text{amb}} \leq +105^\circ\text{C}$ $V_{CC} = \pm 3$, $R_L = 500\Omega$, $V_O = \pm 0.5\text{V}$	120	400		V/mV
		100			
		100			
V_{opp}	Output voltage swing $R_L = 10\text{k}\Omega$ $R_L = 2\text{k}\Omega$ $R_L = 1\text{k}\Omega$ $0^\circ\text{C} \leq T_{\text{amb}} \leq +105^\circ\text{C}$, $R_L = 2\text{k}\Omega$	± 12	± 13		V
		± 11.5	± 12.8		
			± 12		
		± 11			
SR	Slew rate ($R_L = 2\text{k}\Omega$, $C_L = 100\text{pF}$)		0.17		V/ μs
GBP	Gain bandwidth product ($R_L = 2\text{k}\Omega$, $C_L = 100\text{pF}$, $f = 100\text{kHz}$)		0.5		MHz
I_{CC}	Supply current - no load $0^\circ\text{C} \leq T_{\text{amb}} \leq +105^\circ\text{C}$ $V_{CC} = \pm 3\text{V}$		2.7	5	mA
			0.67	6 1.3	
e_n	Equivalent input noise voltage $f = 10\text{Hz}$ $f = 100\text{Hz}$ $f = 1\text{kHz}$		11	20	$\frac{\text{nV}}{\sqrt{\text{Hz}}}$
			10.5	13.5	
			10	11.5	
i_n	Equivalent input noise current $f = 10\text{Hz}$ $f = 100\text{Hz}$ $f = 1\text{kHz}$		0.3	0.9	$\frac{\text{pA}}{\sqrt{\text{Hz}}}$
			0.2	0.3	
			0.1	0.2	

1. Long term input offset voltage stability refers to the average trend line of V_{io} vs time over extended periods after the first 30 days of operation.

Package Outlines: DIP-8


SYMBOL	INCHES		MILLIMETERS		NOTES
	MIN	MAX	MIN	MAX	
A	-	0.200	-	5.08	-
b1	0.014	0.023	0.36	0.58	-
b2	0.045	0.065	1.14	1.65	-
c1	0.008	0.015	0.20	0.38	-
D	0.355	0.400	9.02	10.16	-
E	0.220	0.310	5.59	7.87	-
e	0.100 BSC		2.54 BSC		-
eA	0.300 BSC		7.62 BSC		-
L	0.125	0.200	3.18	5.08	-
Q	0.015	0.060	0.38	1.52	-
s1	0.005	-	0.13	-	-
α	90^0	105^0	90^0	105^0	-

Small Outline SOP-8


SYMBOL	INCHES		MILLIMETERS		NOTES
	MIN	MAX	MIN	MAX	
A	0.188	0.197	4.80	5.00	-
B	0.149	0.158	3.80	4.00	-
C	0.228	0.244	5.80	6.20	-
D	0.050 BSC		1.27 BSC		-
E	0.013	0.020	0.33	0.51	-
F	0.004	0.010	0.10	0.25	-
H	0.053	0.069	1.35	1.75	-
J	0.011	0.019	0.28	0.48	-
K	0.007	0.010	0.19	0.25	-
M	0.016	0.050	0.40	1.27	-
L	0.150 REF		3.81 REF		-
e1	45°		45°		-
α	0°	8°	0°	8°	-

*All specs and applications shown above subject to change without prior notice.