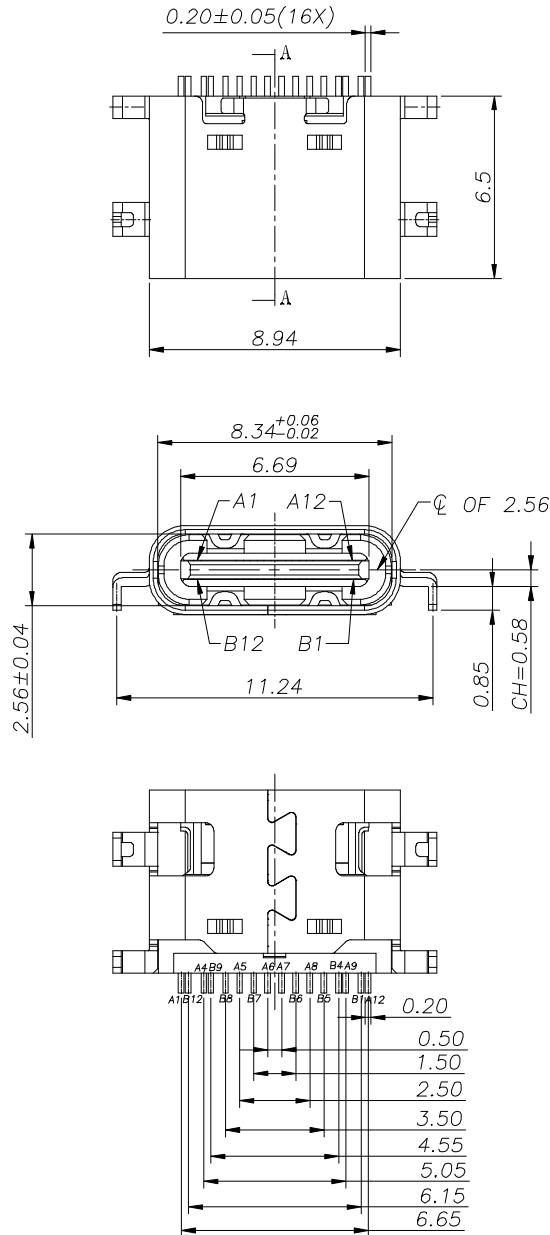
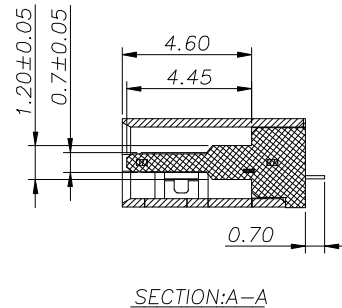
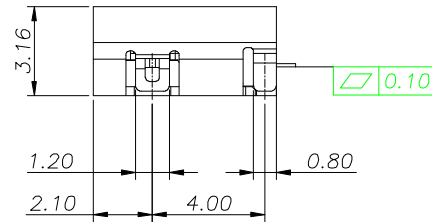
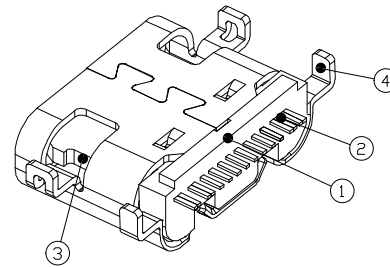


REV.	ECN NO.	DESCRIPTION	DATE	DESIGN
01	---	INITIAL RELEASED	2017.05.10	Hank Pei
A	---	OFFICIAL RELEASE	2019.04.18	Hank Pei

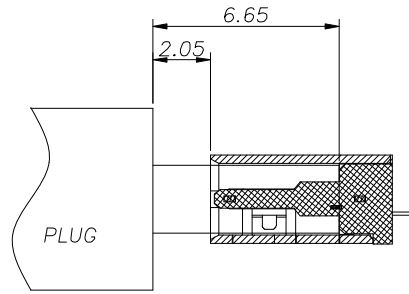
NOTE:

- MATERIAL SPECIFICATION:
 - HOUSING: HIGH TEMPERATURE RESISTANT PLASTIC, UL94 V-0.
 - CONTACTS: COPPER ALLOY
 - MID PLATE: STAINLESS STEEL
 - FRONT SHELL: STAINLESS STEEL
- PLATING SPECIFICATION:
 - CONTACTS:
 - Ni 50u" MIN. UNDER PLATED OVER ALL.
 - Au PLATED ON THE FUNCTIONAL AREA OF CONTACT.
 - (GOLD PLATING THICKNESS FOLLOW THE P/N)
 - PLATING SPECIFICATIONS OF THE SOLDER AREA FOLLOW THE P/N
 - FRONT SHELL:
 - Ni 30u" MIN. UNDER PLATED OVER ALL.
 - MID PLATE:
 - CLEAR ONLY
- MECHANICAL PERFORMANCE,
 - INSERTION FORCE: 0.5~2.0kgf.
 - REMOVAL FORCE: 0.8kgf~2.0kgf.
 - DURABILITY: 10000 CYCLES.
- ELECTRICAL PERFORMANCE,
 - CURRENT RATING: 5.0A
VOLTAGE RATING: 5.0V
 - LLCR:
 - VBUS & GND PINS AND OTHER PINS: 40mΩ/PIN MAX.
 - SHIELD: 50mΩ/MAX.
 - LLCR MAX. CHANGE OF ALL PINS: 10mΩ.
 - INSULATION RESISTANCE: 100MΩ MIN
 - DIELECTRIC WITHSTAND VOLTAGE, AC 100V FOR 1 MINUTE.
- ENVIRONMENTAL PERFORMANCE:
 - OPERATING TEMPERATURE: -25°C~+85°C.
- IR REFLOW:
 - THE PEAK TEMPERATURE ON THE BOARD SHALL BE MAINTAINED FOR 10 SECONDS AT 260°C.



TOLERANCE		NAME (INTENDED USE) CUSTOMER DRAWING	深圳市华灿天禄电子有限公司		
X.X	±0.30	X.* ±10°	PART NO.	TITLE: USB CF 16PIN (L=6.5) MID MOUNT CH=0.58	
.XX	±0.20	.X.* ±8°	SEE TABLE 1	DRAWG NO.	
.XXX	±0.10	.XX.* ±5°	DESIGN: Hank Pei	HC-TYPE-C-16P-CB1.0	
UNITS	mm		CHED:	SCALE	SHEET
MATERILA	----		APPD:	1:1	1/3
FINISH	-----				REV. A

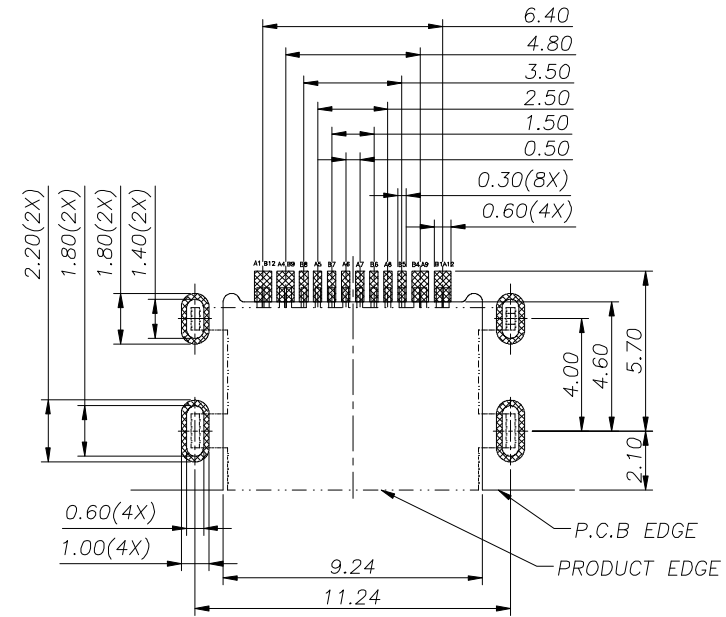
REV.	ECN NO.	DESCRIPTION	DATE	DESIGN
01	---	INITIAL RELEASED	2017.05.10	Hank Pei
A	---	OFFICIAL RELEASE	2019.04.18	Hank Pei



AFTER MATING

USB TYPE-C PIN ASSIGNMENTS

PIN NUMBER	SIGNAL NAME	PIN NUMBER	SIGNAL NAME
A1	GND	B12	GND
A4	VBUS	B9	VBUS
A5	CC1	B8	SBU2
A6	Dp1	B7	Dn2
A7	Dn1	B6	Dp2
A8	SBU1	B5	CC2
A9	VBUS	B4	VBUS
A12	GND	B1	GND



RECOMMENDED PCB LAYOUT(TOP VIEW)
THICKNESS 0.80MM;DEFAULT TOLERANCE:±0.05

TABLE 1

ITEM	P/N	HOUSING COLOR	FUNCTIONAL AREA	SOLDER AREA
1	ACF002-2A1H1A103-OHR	BLACK	Au:3u"	Au:G/F

TOLERANCE		NAME(INTENDED USE) CUSTOMER DRAWING	深圳市华灿天禄电子有限公司		
X.X ±0.30	X.* ±10°	PART NO.	TITLE: USB CF 16PIN (L=6.5) MID MOUNT CH=0.58		
.XX ±0.20	.X* ± 8°	SEE TABLE1	DRAWG NO. HC-TYPE-C-16P-CB1.0		
.XXX ±0.10	.XX* ± 5°	DESIGN: Hank Pei	SCALE SHEET REV.		
UNITS	mm	CHED:	1:1	2/3	A
MATERILA	----	APPD:			
FINISH	-----				