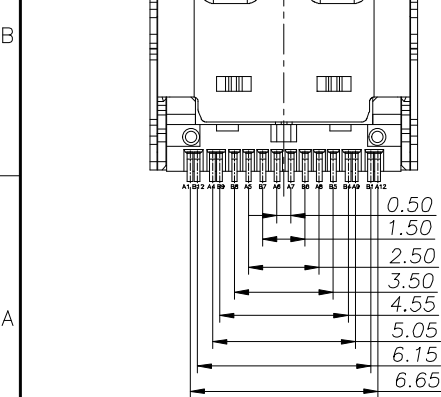
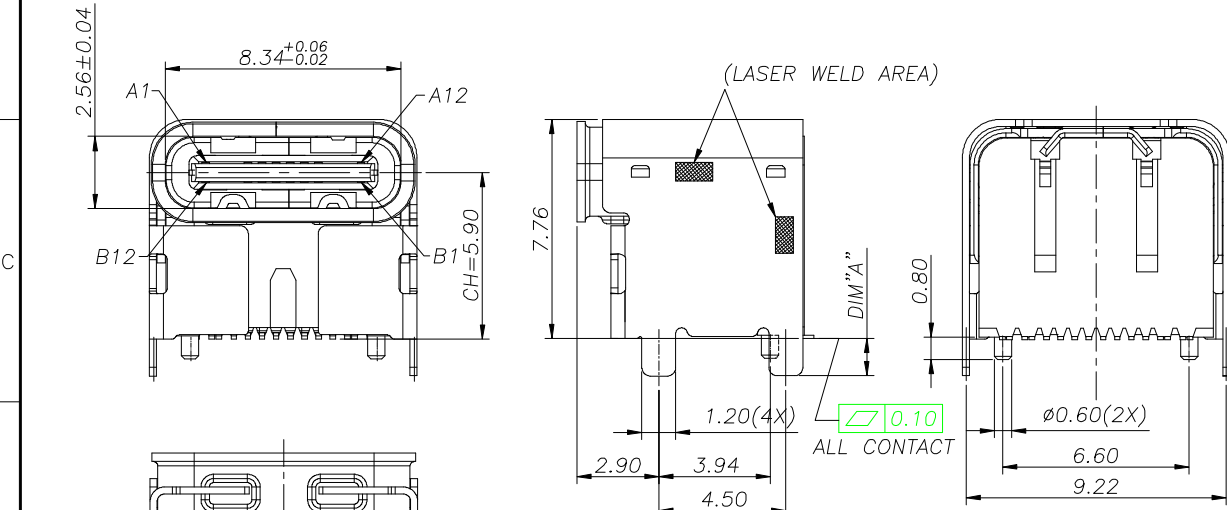
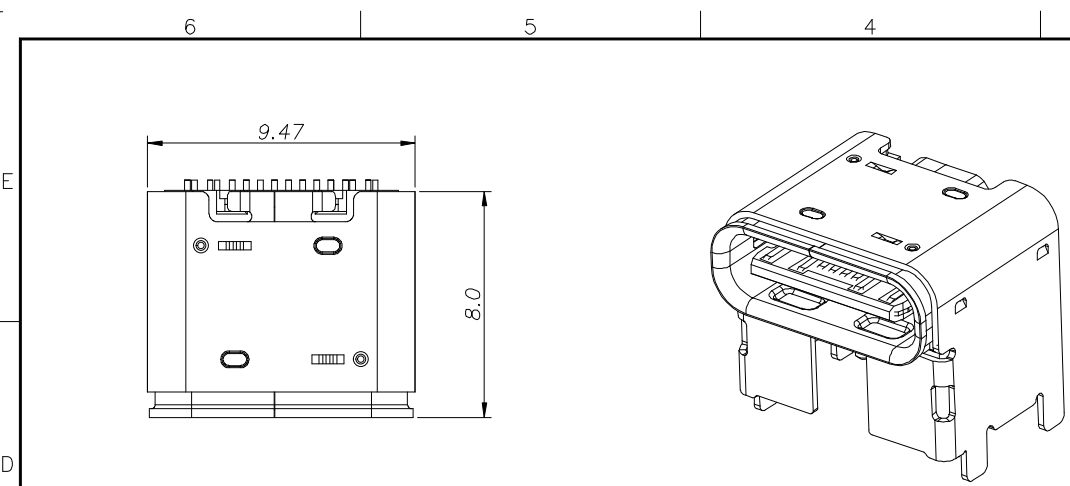


REV.	ECN NO.	DESCRIPTION	DATE	DESIGN
H	ECN NO.	MODIFY THE INSERT-MOLDING	2020.06.11	Neo
J	ECN NO.	UNDATE THE DRAWING	2020.06.23	Neo

NOTE:

- MATERIAL SPECIFICATION:
  - HOUSING: HIGH TEMPERATURE RESISTANT PLASTIC, UL94 V-0.
  - TERMINAL: COPPER ALLOY (C1814)
  - MID PLATE: STAINLESS STEEL (SUS301)
  - FRONT SHELL: STAINLESS STEEL (SUS304)
  - TOP SHELL: STAINLESS STEEL (SUS304)
- PLATING SPECIFICATION:
  - CONTACTS:
    - Ni 50u" MIN. UNDER PLATED OVER ALL.
    - Au PLATED ON THE FUNCTIONAL AREA OF CONTACT.
    - (GOLD PLATING THICKNESS FOLLOW THE P/N)
    - PLATING SPECIFICATIONS OF THE SOLDER AREA FOLLOW THE P/N
  - FRONT SHELL & TOP SHELL:
    - Ni 30u" MIN. UNDER PLATED OVER ALL.
  - MID PLATE:
    - CLEAR ONLY
- MECHANICAL PERFORMANCE,
  - INSERTION FORCE: 0.5~2.0kgf.
  - REMOVAL FORCE: 0.8kgf~2.0kgf.
  - DURABILITY: 10000 CYCLES.
- ELECTRICAL PERFORMANCE,
  - VOLTAGE RATING: 5 V DC/AC (RMS. max)  
 CURRENT RATING: 5 AMPS. FOR TOTAL VBUS/GND PINS;  
 1.25AMPS FOR CC PIN, 0.25 AMPS. FOR ALL OTHER CONTACT.
  - LLCR:
    - VBUS & GND PINS AND OTHER PINS: 40mΩ/PIN MAX.
    - SHIELD: 50mΩ/MAX.
    - LLCR MAX. CHANGE OF ALL PINS: 10mΩ.
  - INSULATION RESISTANCE: 100MΩ MIN
  - DIELECTRIC WITHSTAND VOLTAGE, AC 100V FOR 1 MINUTE.
- ENVIRONMENTAL PERFORMANCE:
  - OPERATING TEMPERATURE: -25°C~+85°C.
- IR REFLOW:
  - THE PEAK TEMPERATURE ON THE BOARD SHALL BE MAINTAINED FOR 10 SECONDS AT 260°C.



TOLERANCE	NAME (INTENDED USE) CUSTOMER DRAWING	深圳市华灿天禄电子有限公司		
X.X ±0.30 X.° ±10°	PART NO.	TITLE: USB C F 16PIN SMT		
.XX ±0.20 .X° ± 8°	SEE TABLE 1	CH=5.9		
.XXX ±0.10 .XX° ± 5°	DESIGN: Dave Ye	DRAWG NO. HCO01-1A1H1A103-OHR		
UNITS mm	CHED:		SCALE	SHEET
MATERILA	APPD:		1:1	1/3
FINISH				REV. J

6

5

4

2

1

6

5

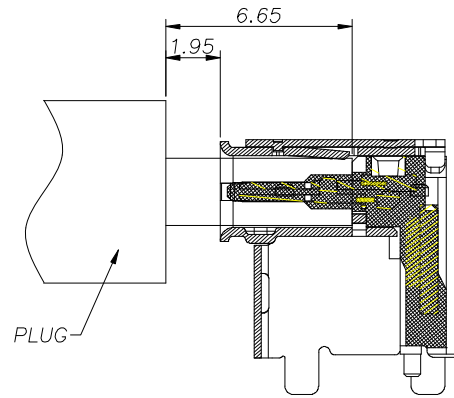
4

3

2

1

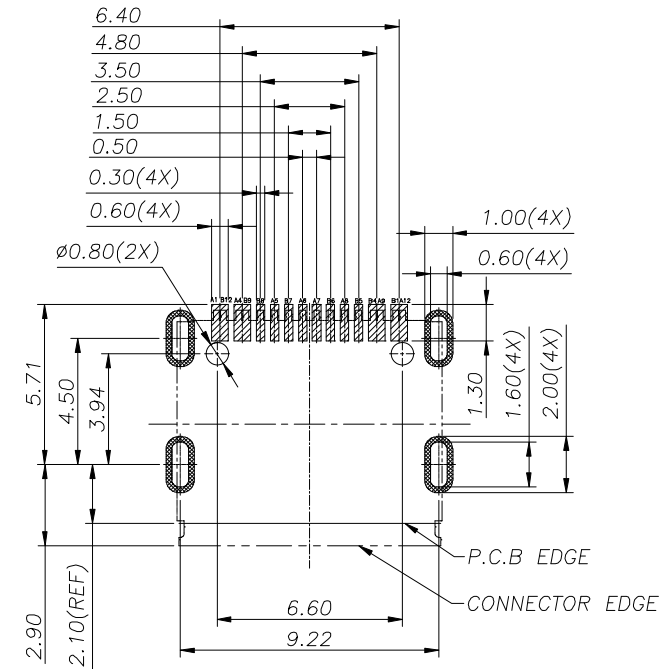
REV.	ECN NO.	DESCRIPTION	DATE	DESIGN
H	ECN NO.	MODIFY THE INSERT-MOLDING	2020.06.11	Neo
J	ECN NO.	UNDATE THE DRAWING	2020.06.23	Neo



AFTER MATING

USB TYPE-C PIN ASSIGNMENTS

PIN NUMBER	SIGNAL NAME	PIN NUMBER	SIGNAL NAME
A1	GND	B12	GND
A4	VBus	B9	VBus
A5	CC1	B8	SBU2
A6	Dp1	B7	Dn2
A7	Dn1	B6	Dp2
A8	SBU1	B5	CC2
A9	VBus	B4	VBus
A12	GND	B1	GND



RECOMMENDED PCB LAYOUT(TOP VIEW)

TABLE 1

ITEM	P/N	HOUSING COLOR	CONTACTS		SHELL PLATING	DIM "A"
			FUNCTIONAL AREA	SOLDER AREA		
1	ACF001-1A1H1A103-0HR	BLACK	Au:3u"	Au:G/F	Ni	1.33
2	ACF001-1A5H1A103-0HR	NATURE	Au:3u"	Au:G/F	Ni	1.33
3	ACF001-1A1H1A103-1HR	BLACK	Au:3u"	Au:G/F	Ni	0.91

TOLERANCE	NAME(INTENDED USE) CUSTOMER DRAWING	深圳市华灿天禄电子有限公司
X.X ±0.30   X.* ±10°	PART NO.	TITLE: USB C F 16PIN SMT
.XX ±0.20   .X* ± 8°	SEE TABLE1	CH=5.9
.XXX ±0.10   .XX* ± 5°	DESIGN: Dave Ye	DRAWG NO.
UNITS: mm	CHED:	HC001-1A1H1A103-0HR
MATERILA	APPD:	SCALE SHEET REV.
FINISH		1:1 2/3 J