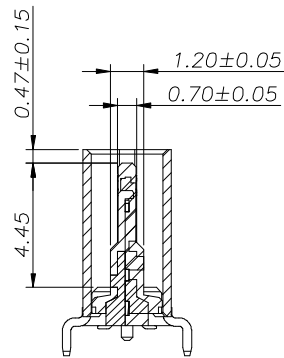
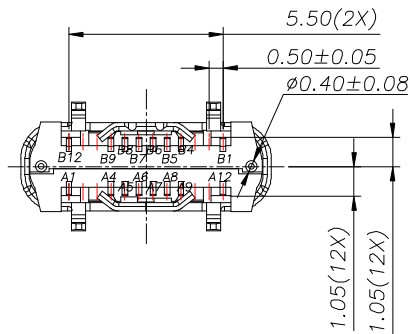
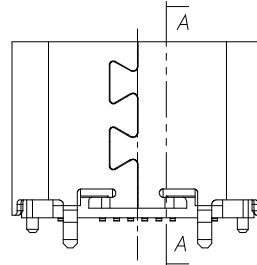
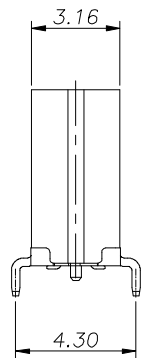
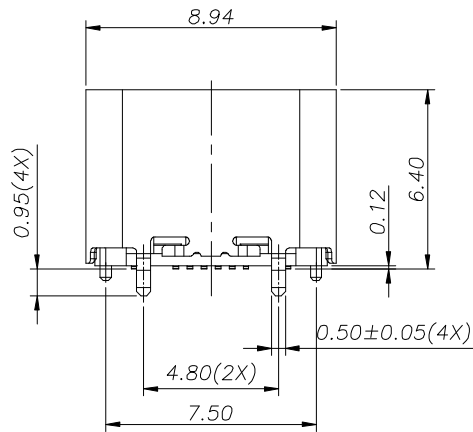
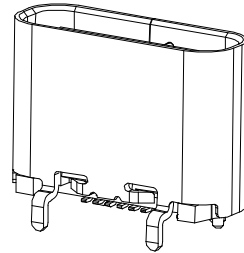
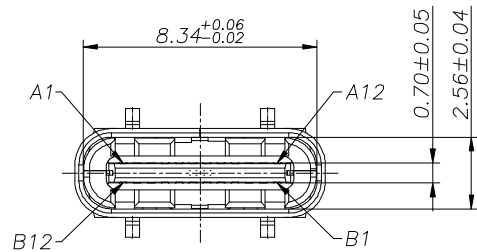


申明:凡是有品料或有“PRELIMINARY”示的品均 面不能生 /DECLARATION: ALL PRODUCT DRAWINGS WITHOUT THE PART NUMBER OR WITH "PRELIMINARY" LABEL ARE TEMPORARY DRAWINGS CAN NOT BE PRODUCED

REV.	ECN NO.	DESCRIPTION	DATE	DESIGN
B	ECN NO.	UPDATE THE DRAWING	2020.08.06	SYJ
C	ECN NO.	UPDATE THE DRAWING	2021.05.19	SYJ

NOTE:

- MATERIAL SPECIFICATION:
 - HOUSING: LCP, UL94 V-0.
 - TERMINAL: COPPER ALLOY (C1814)
 - MID PLATE: STAINLESS STEEL (SUS301)
 - FRONT SHELL: STAINLESS STEEL (SUS304)
- PLATING SPECIFICATION:
 - TERMINAL:
 - Ni 50u" MIN. UNDER PLATED OVER ALL.
 - Au PLATED ON THE FUNCTIONAL AREA OF CONTACT. (GOLD PLATING THICKNESS FOLLOW THE P/N)
 - PLATING SPECIFICATIONS OF THE SOLDER AREA FOLLOW THE P/N
 - FRONT SHELL:
 - Ni 50u" MIN. UNDER PLATED OVER ALL.
 - MID PLATE:
 - CLEAR ONLY
- MECHANICAL PERFORMANCE,
 - INSERTION FORCE: 0.5~2.0kgf.
 - REMOVAL FORCE: 0.8kgf~2.0kgf.
 - DURABILITY: 10000 CYCLES.
- ELECTRICAL PERFORMANCE,
 - VOLTAGE RATING: 5 V DC/AC (RMS. max)
CURRENT RATING: 5 AMPS. FOR TOTAL VBUS/GND PINS;
1.25AMPS FOR CC PIN, 0.25 AMPS. FOR ALL OTHER CONTACT.
 - LLCR:
 - VBUS & GND PINS AND OTHER PINS: 40mΩ/PIN MAX.
 - SHIELD: 50mΩ/MAX.
 - LLCR MAX. CHANGE OF ALL PINS: 10mΩ.
 - INSULATION RESISTANCE: 100MΩ MIN
 - DIELECTRIC WITHSTAND VOLTAGE, AC 100V FOR 1 MINUTE.
- ENVIRONMENTAL PERFORMANCE:
 - OPERATING TEMPERATURE: -25°C~+85°C.
- IR REFLOW:
 - THE PEAK TEMPERATURE ON THE BOARD SHALL BE MAINTAINED FOR 10 SECONDS AT 260°C.



SECTION:A-A

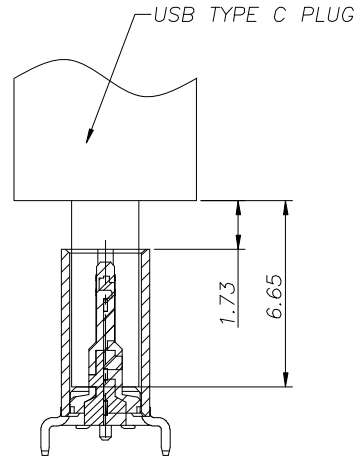
TOLERANCE		NAME (INTENDED USE) CUSTOMER DRAWING	深圳市华灿天禄电子有限公司		
X.X ±0.30	X.* ±10°	PART NO.	TITLE: USB CF 16PIN VERTICAL W/O EMI SPRING, HIGHT 6.4		
.XX ±0.20	.X.* ± 8°	SEE P/N			
.XXX ±0.10	.XX.* ± 5°	DESIGN: SYJ	DRAWG NO. HCO14-1A1H1A103-OHR		
UNITS	mm	CHED:			
MATERILA		APPD:			
FINISH			SCALE	SHEET	REV.
			1:1	1/3	C

申明:凡是有品料或有“PRELIMINARY”示的品均不能生 /DECLARATION: ALL PRODUCT DRAWINGS WITHOUT THE PART NUMBER OR WITH "PRELIMINARY" LABEL ARE TEMPORARY DRAWINGS CAN NOT BE PRODUCED

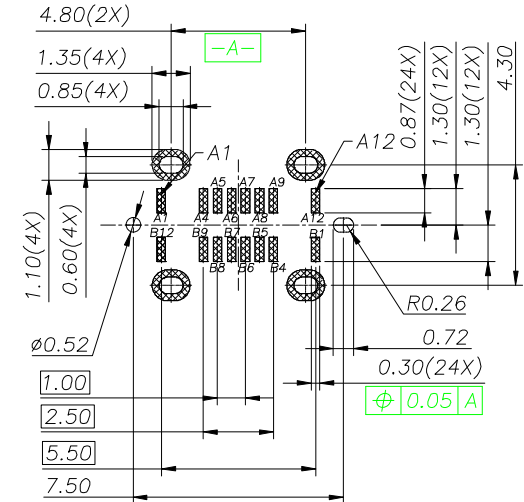
REV.	ECN NO.	DESCRIPTION	DATE	DESIGN
B	ECN NO.	UPDATE THE DRAWING	2020.08.06	SYJ
C	ECN NO.	UPDATE THE DRAWING	2021.05.19	SYJ

USB TYPE-C PIN ASSIGNMENTS

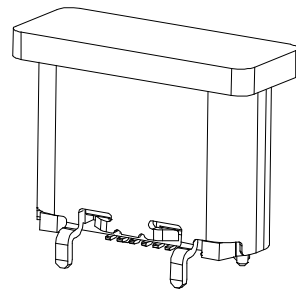
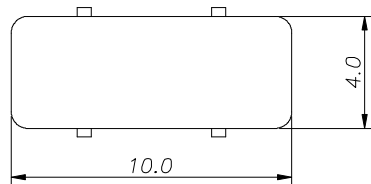
PIN NUMBER	SIGNAL NAME	PIN NUMBER	SIGNAL NAME
A1	GND	B12	GND
A4	VBus	B9	VBus
A5	CC1	B8	SBU2
A6	Dp1	B7	Dn2
A7	Dn1	B6	Dp2
A8	SBU1	B5	CC2
A9	VBUS	B4	VBus
A12	GND	B1	GND



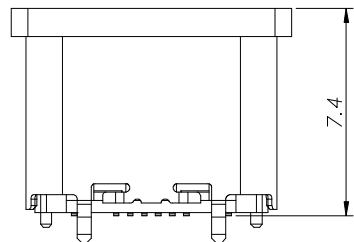
FEMALE AND MALE MATCHING DRAWING



RECOMMENDED PCB LAYOUT(TOP VIEW)
THICKNESS 0.8±0.10MM;DEFAULT TOLERANCE:±0.05



WITH COVER SCHEMATIC



ORDER INFORMATION

P/N: ACF014-1AXHXXXX-0HR

HOUSING MATERIAL	A: LCP	E: PA9T	CONTACT FUNCTIONAL AREA PLATED
HOUSING COLOR	1: BLACK	2: WHITE	5: NATURE
SHELL MATERIAL	H:SUS304	SHELL PLATING	1: Ni
			CONTACT SOLDER AREA PLATED
			CONTACT MATERIAL
			03: Au 3u"
			15: Au 15u"
			30: Au 30u"
			1: Au 1u"
			A: C1814

TOLERANCE		NAME(INTENDED USE)	深圳市华灿天禄电子有限公司
X.X ±0.30	X." ±10°	CUSTOMER DRAWING	
.XX ±0.20	.X" ± 8°	PART NO.	TITLE: USB CF 16PIN VERTICAL
.XXX ±0.10	.XX" ± 5°	SEE P/N	W/O EMI SPRING,HIGHT 6.4
UNITS	mm	DESIGN: SYJ	DRAWG NO.
MATERILA		CHED:	HC014-1A1H1A103-0HR
FINISH		APPD:	SCALE SHEET REV.
			1:1 2/3 C