

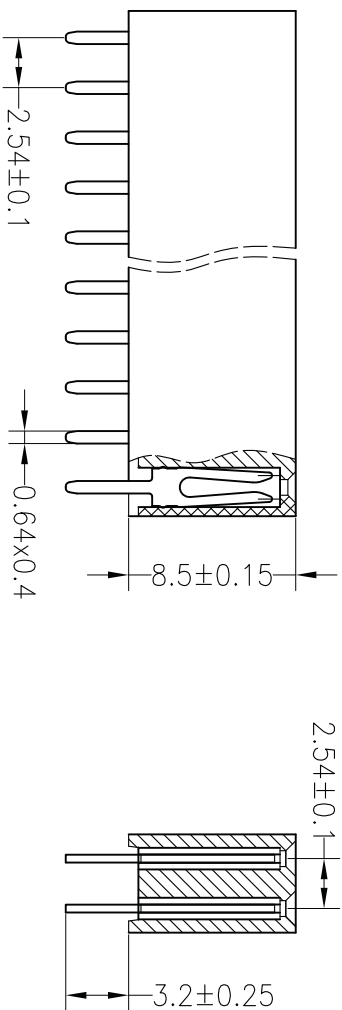
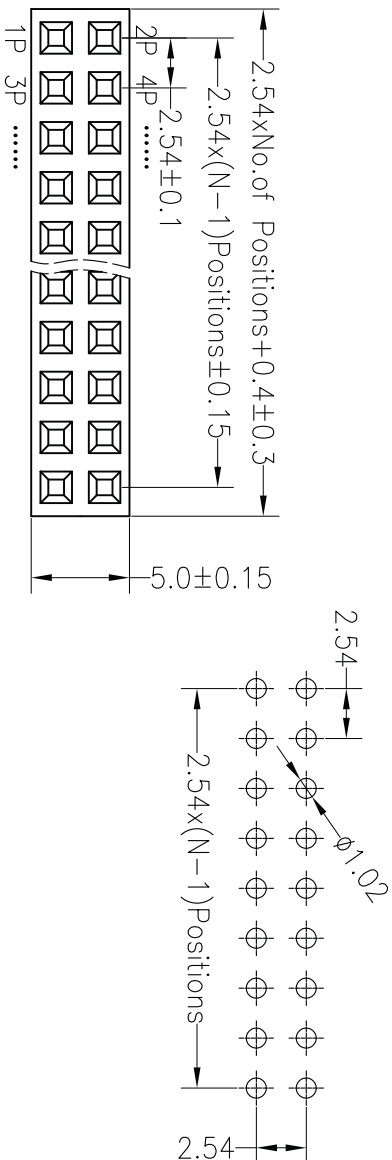


SPECIFICATIONS

Rated Current: 3.0AMP
 Contact Resistance: 20mΩ Max
 Withstand Voltage: 1000V AC/DC
 Insulation Resistance: 1000MΩ Min
 Operation Temperature: -40°C to +105°C

Contact Material: Brass
 Contact Plating: Au Or Sn Over Ni
 Insulator Material: Polyester (UL94V-0)
 Standard: PBT
 Max. Processing Temp: 180°C for 30-60 seconds
 (200°C for 10 seconds)

Recommended P.C.B Layout (Top Side)
 (PCB BOARD TOLERANCE ±0.05)



REV	DATE	MODIFICATION DESCRIPTION	CHANGE	OPERATION	DRAW	YYS	Sheng	12.03.28	SCALE	FIT	PART NO.	TITLE:
A0	2012.03.28	NEW DRAWING		X.X	±0.30				UNIT	mm	PM254-2-N-Z-8.5	2.54PF H8.5mm 2XNpin 180° W5.0mm
				X.XX	±0.20				SIZE	A4		
				X.XXX	±0.10				SHEET	1/1		
				Angle	±3°				PROJ.			
				DIM	TOL							

深圳市华灿天禄电子有限公司