



REV.	ECN NO.	REVISED	DATE

NOTE:

1.MATERIAL:

- a.HOUSING:PA66
- b.CONTACT:BRASS  
(SURFACE PLATING: Sn 100u"-120u")  
SEE ORDERING INFORMATION

2.ELECTRIC:

- a.CONTACT RESISTANCE: 30 MILLIOHMS MAX
- b.INSULATION RESISTANCE: 1000 MEGA OHMS MIN
- c.DIELECTNIC VOLTAGE: 500V AC ONE SEC LEVEL
- d.OPERATING TEMPERATURE: -40°C~ +105°C

ORDERING INFORMATION

BS-05-A\*\*\*017

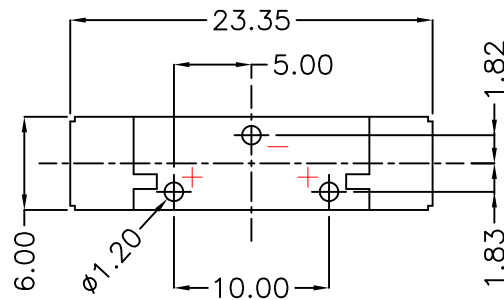
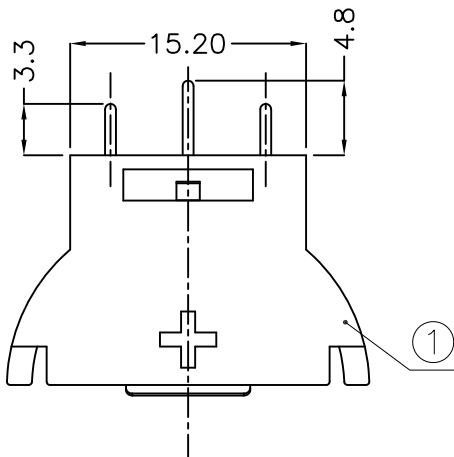
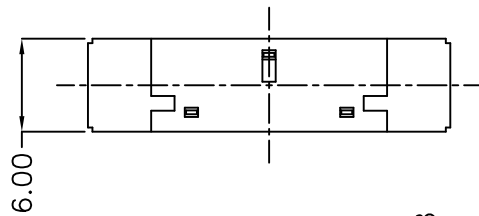
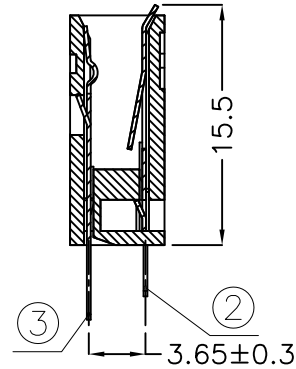
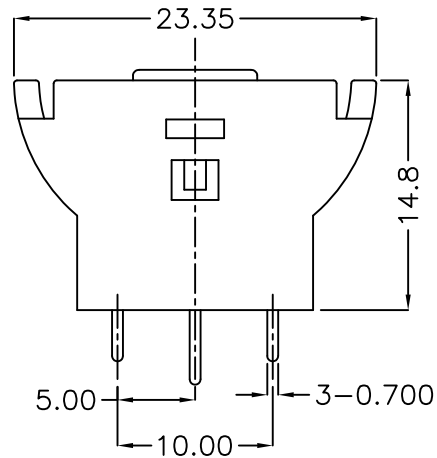
电池座系列

BS-05系列

DIP 90° TYPE

PLATING:  
A-Au1U"  
J-Ni100U"~120U"  
K-Sn100U"~120U"

MATERIAL:  
1A-PBT BLACK  
1B-PA66 BLACK  
2A-PPA BROWN  
2B-PPA BLACK  
3A-PPS BROWN  
3B-PPS BLACK  
4A-LCP WHITE  
4B-LCP BLACK



PCB Layout Diagram  
Top View

3	TERMINAL(-)	1	BRASS, T=0.25mm	Sn-Plating
2	TERMINAL(+)	1	BRASS, T=0.25mm	Sn-Plating
1	HOUSING	1	PA66	BLACK
NO.	PART NAME	Q'TY	MATERIAL	PLATING & COLOR

UNLESS OTHERWISE SPECIFIED TOLERANCES		<b>MYOUNG 美阳</b> <a href="http://www.meiyangdz.com">www.meiyangdz.com</a>	
DECIMALS: X :±0.30 X.X :±0.25 X.XX :±0.20 X.XXX :±0.10	ANGLES: X :±1° X.X :±0.5°	DSND YangFeng	DATE 2019-01-07
WEIGHT: 1.75g		CHKD ZhouRuicia	DATE 2019-01-07
SHEET 1 OF 1		APVD XueShun Yong	DATE 2019-01-07
UNIT: mm	REV.: A/1	SCALE: 2:1	VIEW:
OBJECT: MY	TITLE: BS-2032-5 Sn 平脚	SIZE: A4	PART NO.: BS-05-A1BK017
			DRAW NO.:MY-CP-0179