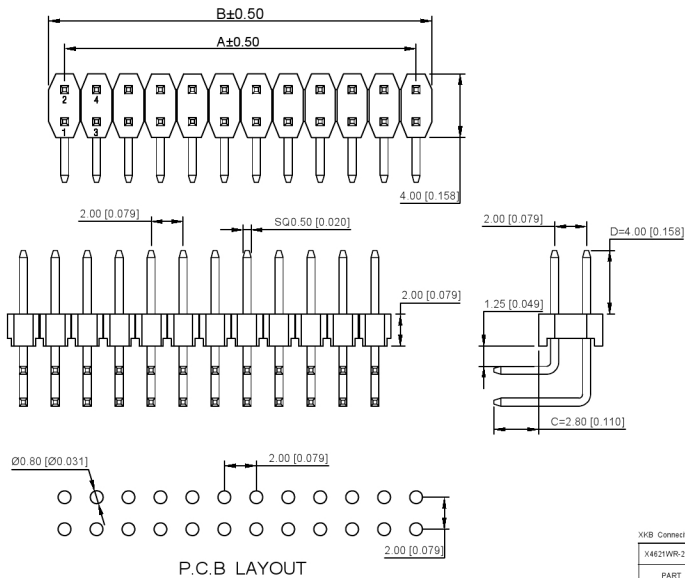


Pin数	尺寸A	尺寸B
1		2
2	2	4
3	4	6
4	6	8
5	8	10
6	10	12
7	12	14
8	14	16
9	16	18
10	18	20
11	20	22
12	22	24
13	24	26
14	26	28
15	28	30
16	30	32
17	32	34
18	34	36
19	36	38
20	38	40
21	40	42
22	42	44
23	44	46
24	46	48
25	48	50
26	50	52
27	52	54
28	54	56
29	56	58
30	58	60
31	60	62
32	62	64
33	64	66
34	66	68
35	68	70
36	70	72
37	72	74
38	74	76
39	76	78
40	78	80



XXIB Connectivity

- 规格 Specifications:
 - 额定电压 Voltage rating:250VAC/DC.
 - 额定电流 Current rating:2A AC/DC
 - 耐电压 Withstanding voltage:1000V AC/minute
 - 温度区间 Temperature range:-40℃to+105℃
 - 绝缘电阻 Insulation resistance:≥1000MΩ Min
 - 接触电阻 Contact resistance:≤20MΩ Max
- 材料 Material: PA6T 94V-0
- 镀层 Plating Category: 1U*Gold
- 颜色 Color: Blank-Natural color

XXIB Connectivity

X4621 W R-2*XX I- C28 D40
 ①②③④⑤⑥⑦

- ① Series No.
- ② Category:W-Wafer
- ③ Welding Board Angle:V-Stright 90°
- ④ Row No -Pin No:2*XX-2*01P-40P
- ⑤ Plastic height: l=2.0mm
- ⑥ Plastic length:C=2.8mm
- ⑦ Pin length:D=4.0mm

XXIB Connectivity

PART NO	Material	Material(Pin)	Finish(Pin)	Suitable XXIB Terminal
X4621WR-2*XXI-C28D40	PA6T 94V-0	Brass	1U*Gold	X4621F

广东星坤科技股份有限公司

生		日	
期		期	

文件工程章

REVISIONS
 DATE REVISED APPROVED UNSPECIFIED TOLERANCES

www.xxib.com www.hellxxib.com

DSND	DATE	SCALE: N/A	MODEL TYPE:
DWNN	DATE	VIEW:	X4621WR-2*XXI-C28D40
CHKD	DATE	UNIT: mm/in	PART NO.: 2.00mm Crimp Style Connector
APPD	DATE	SIZE: A4	DWG NO.:
XXB INDUSTRIAL PRECISION CO., LIMITED			WEIGHT SHEET REVISION 1.0g 1/1 A0