

ROHS COMPLIANCE

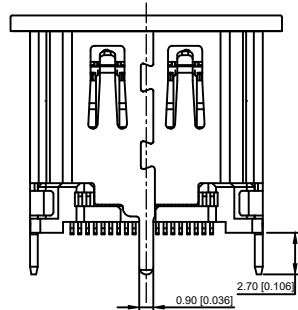
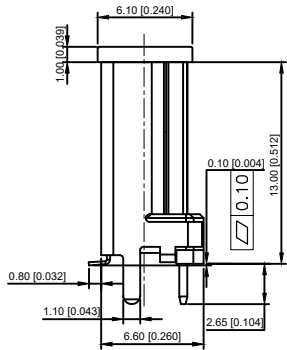
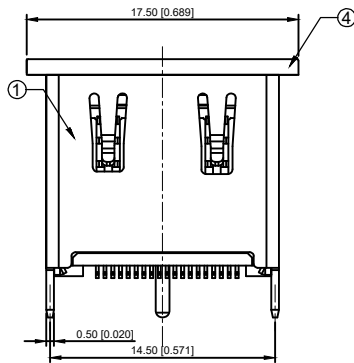
RECOMMENDED P.C.B. LAYOUT (T:1.20~1.60mm)
TOLERANCE UNSPECIFIED ±0.05mm

SPECIFICATIONS

1. OPERATING CURRENT: 0.5A MAX.
2. OPERATION TEMPERATURE: -25 TO +85
3. DIELECTRIC WITHSTANDING VOLTAGE:
500Volts AC BETWEEN ADIACENT TERMINAL (UNMATE)
300Volts AC BETWEEN ADIACENT TERMINAL (MATE)
4. INSULATION RESISTANCE:
100Mohm MIN (UNMATED); 10Mohm MIN. (MATED)
5. HDMI SPECIFICATION COMPLIANCE

A71-05H6-1X1N1

1: Au 1U"
5: Au 15U"
6: Au 30U"



4	DUST COVER	1	THERMOPLASTIC UL94V-0
3	CONTACTS	19	COPPER ALLOY, GOLD PLATED OVER NICKEL ON CONTACT AREA AND 100U" MIN. TIN PLATED OVER NICKEL ON SOLDER TAILS
2	HOUSING	1	THERMOPLASTIC UL94V-0
1	SHELL	1	COPPER ALLOY OR SPCC, NICKEL PLATED

					ANGLAR	±5°	DSND	DATE	SCALE: N/A	MODEL TYPE: HDMI CONNECTOR	
					L ≤ 4	±0.2	DWN	DATE	VIEW:	PART NO.: A71-05H6-1X1N1	
					4 < L ≤ 16	±0.3	CHKD	DATE	UNIT: mm/in	DWG NO.: A71-05H6-1X1N1	
					16 < L ≤ 63	±0.4	APPD	DATE	SIZE: A4		
					L > 63	±0.5					
					UNSPECIFIED TOLERANCES		KKB INDUSTRIAL PRECISION CO., LIMITED			WEIGHT 1.0g	
REVISIONS											SHEET 1/1
www.xk-dg.cn www.helloxkb.com www.helloxkb.cn											REVISION A0