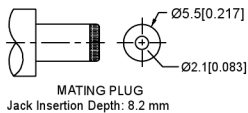
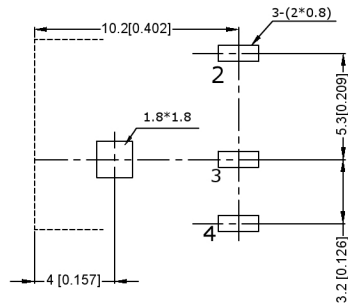


P.C.B LAYOUT
TOP VIEW



SCHEMATIC	
Model	DC-0440-2.5A
Center Pin	Ø1.65 mm
	Ø2.0 mm
	Ø2.5 mm

	MATERIAL	PLATING
center pin	Brass	silver
terminal 1	Brass	silver
terminal 2	Phosphor Bronze	silver
terminal 3	Brass	silver
plastic	Pbt	

广东星坤科技股份有限公司

生	日				
效	期				
Δ					
Δ					
Δ					
MARK	DESCRIPTION	REVISIONS	DATE	REVISED	APPROVED
文件	工程				

DSND		DATE		SCALE: N/A	MODEL TYPE: DC POWER JACK	
DWN		DATE		VIEW:	PART NO.:	
CHKD		DATE		UNIT: mm/in	DWG NO.:	
APPD		DATE		SIZE: A4	DC-0440-2.5A-2.0	
UNSPECIFIED TOLERANCES				WEIGHT	SHEET	REVISION
XKB INDUSTRIAL PRECISION CO., LIMITED				1.0g	1/1	A0