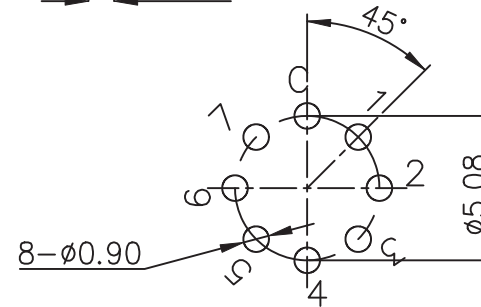
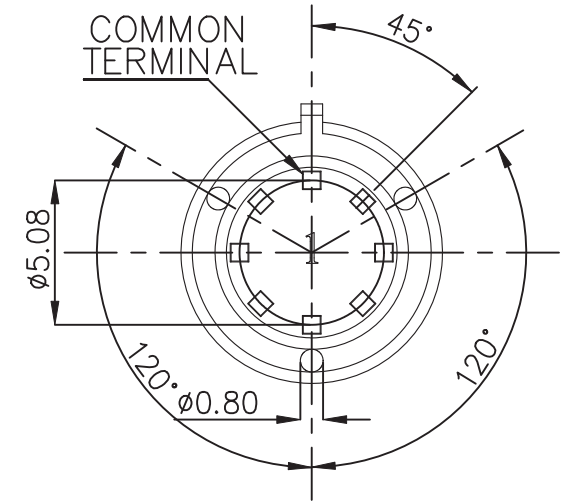
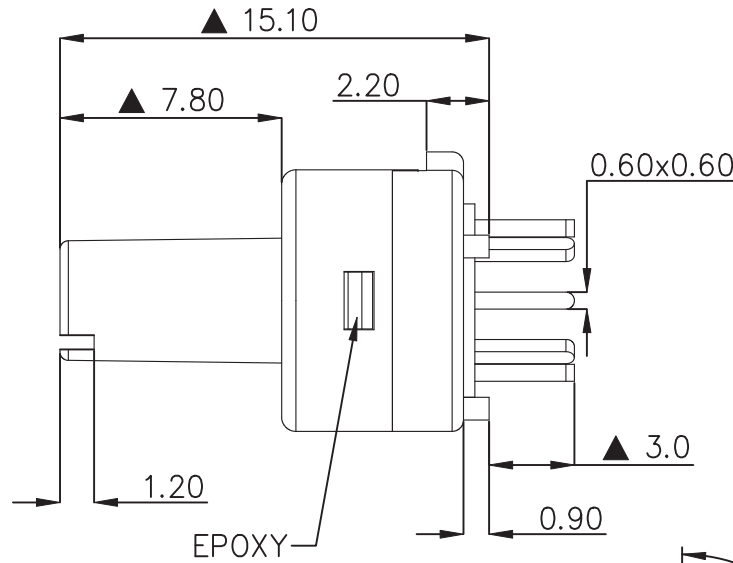
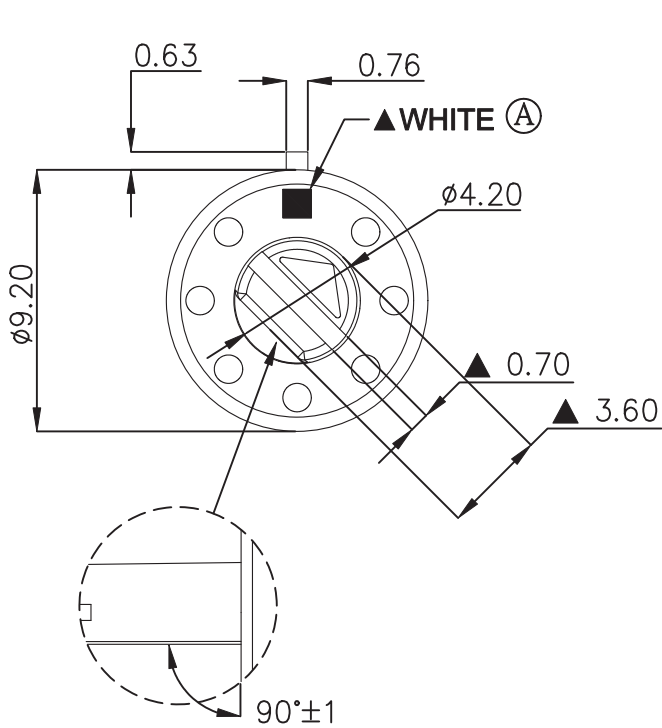


本公司智慧財產，未經同意不得複製
DAILYWELL copyright, may not be used
without permission from DAILYWELL



TRAVEL	SWITCH POSITION (B)
45°	C-1
90°	C-2
135°	C-3
180°	C-4
225°	C-5
270°	C-6
315°	C-7

SPECIFICATIONS

ELECTRICAL RATING: 0.5A 24VDC; 0.2A 48VDC
CONTACT RESISTANCE: 100 mΩ MAX.
INSULATION RESISTANCE: 100 MΩ MIN. 500VDC
DIELECTRIC STRENGTH: 500VAC for 1 minute
OPERATING FORCE: 350±150g (A)
OPERATING LIFE: 2,000 cycles
OPERATING TEMPERATURE RANGE : -20°C ~ 70°C

MATERIAL
HOUSING: NYLON 6/6
BASE: LCP
ACTUATOR: NYLON 6/6
TERMINAL: Brass gold plating.
RoHS: 2002/95/EC

P.C.B. LAYOUT

德利威電子股份有限公司
DAILYWELL ELECTRONICS CO.,LTD.

符號	原尺寸	修改後尺寸	變更日期
1 (A)	CONN標示變更參照ECN GC11081,350±100g變更±150g		SEP-05-2011
2 (B)	修正SWITCH POSITION,增加重點尺寸▲標示		SEP-23-2011
3 (C)			
4 (D)			
5 (E)			

SCALE (比例): 4 : 1
TOLERANCE (公差):
0.00 mm ± 0.25mm
0.0 mm ± 0.40mm
ANGULAR : ± 5°
FILE NAME : RT0006

TITLE 圖名		ROTARY SWITCH			SIZE 圖紙
DWG NO. 圖號		RT-007			UNIT 單位
REV. 版本		C	DATE 日期	NOV - 05 - 2010	SHEET 張數
CHECKED BY 審核		RICHARD		DRAWN BY 製圖	IRENE