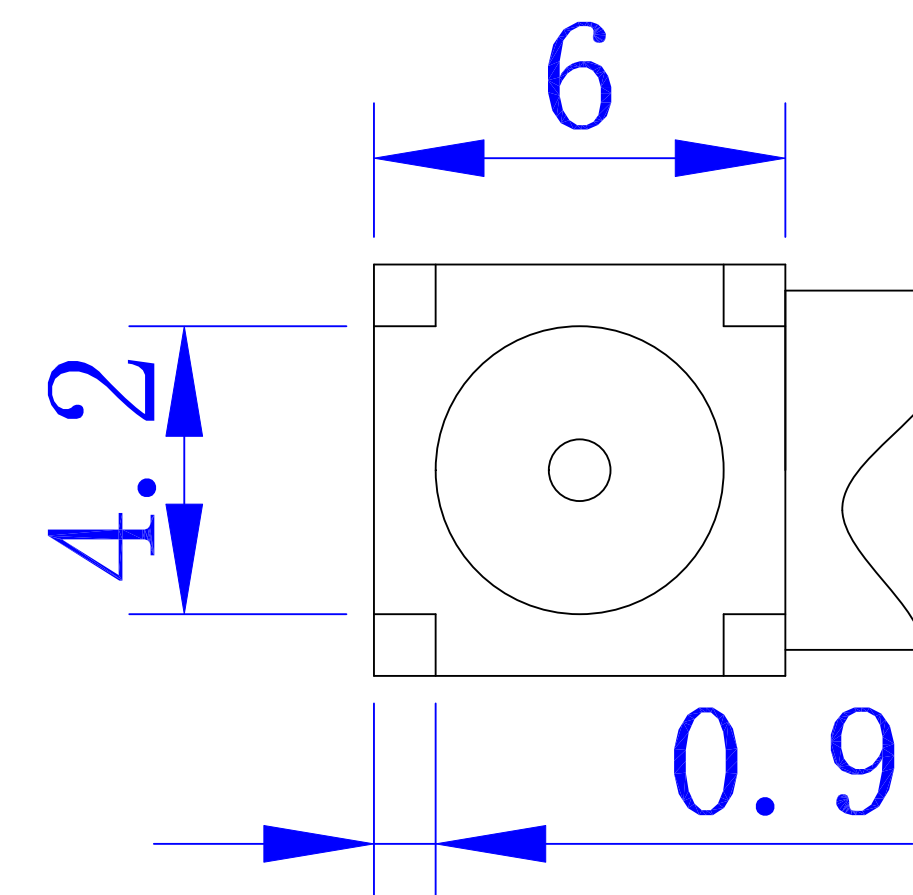
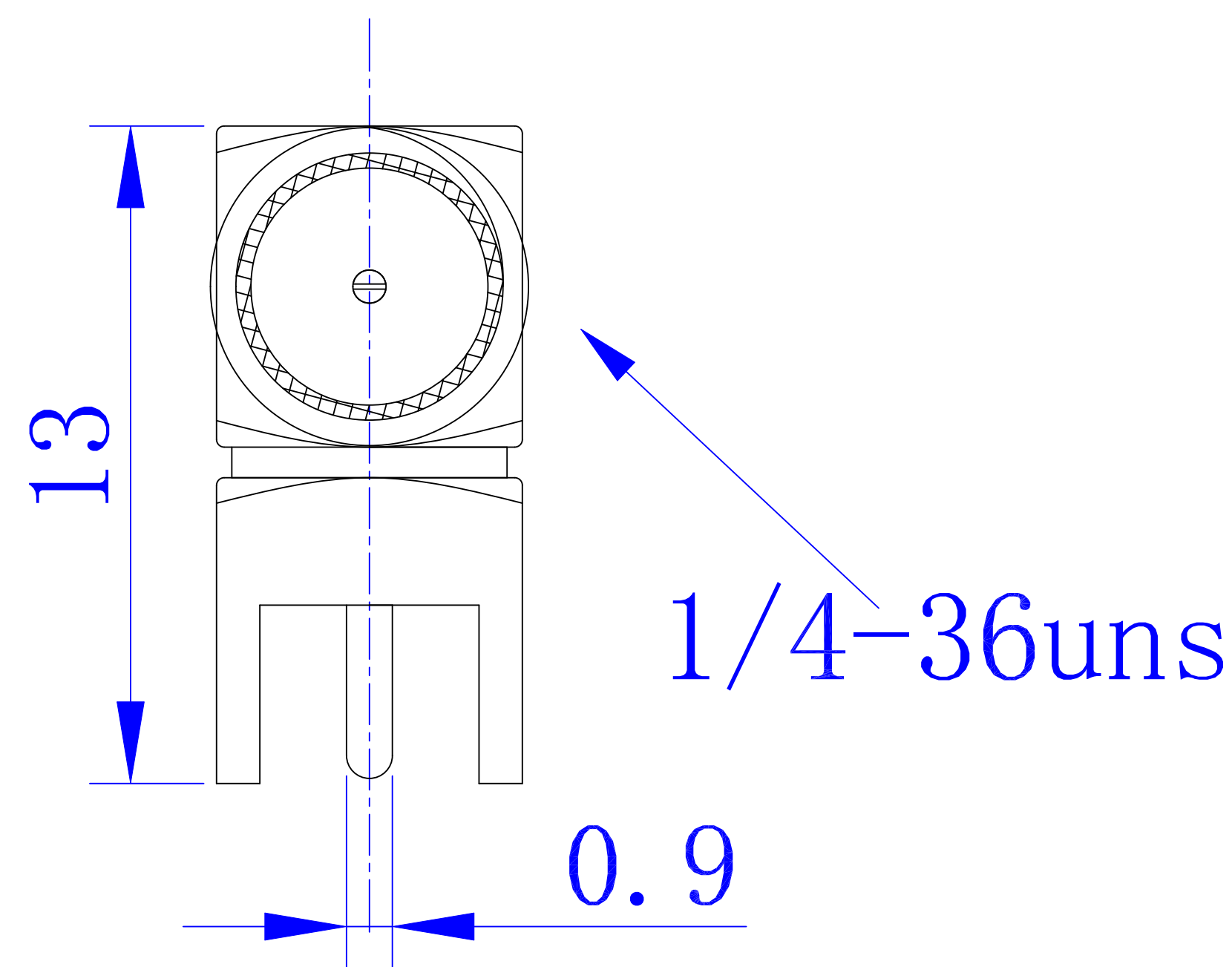
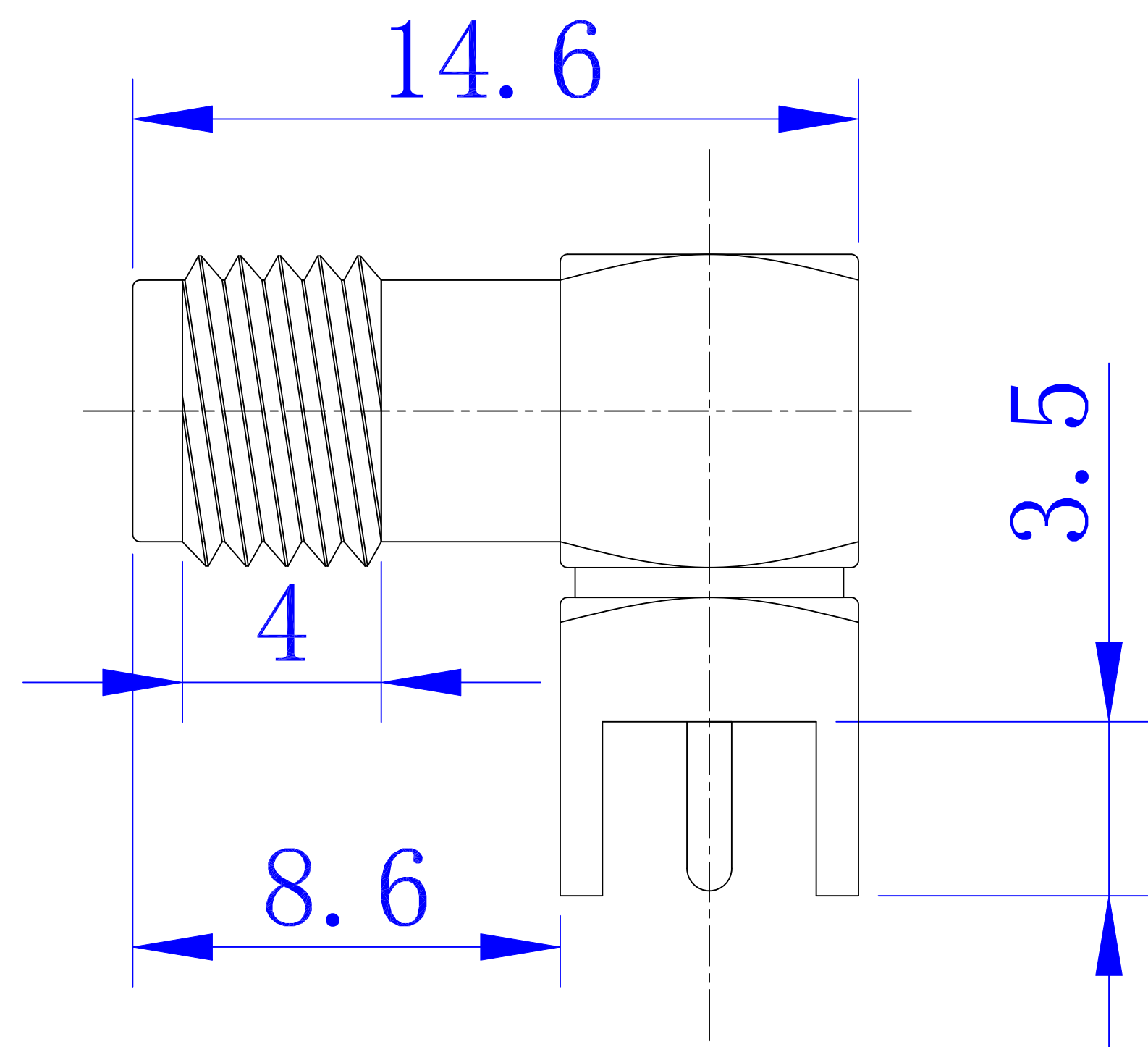


D:21-10-15


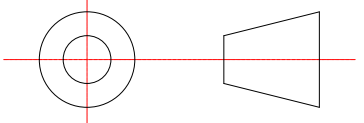


技术特性

温度范围: Temp.range -65~+165° C (PE Cable -40~+85° C)
 振动: Vibration MIL-STD-202,Method 213
 特性阻抗: Impedance 50 Ω
 频率范围: Frequency Range DC~0-6GHz
 工作电压: Working Voltage 335V max (有效值)
 耐压: Withstand Voltage 1000V rms (海平面最小值)
 接触电阻: Contact resistance
 内导体之间: Center Contact ≤ 3 mΩ
 外导体之间: Outer Contact ≤ 2 mΩ
 绝缘电阻: Insulation resistance ≥ 5000 MΩ
 插入损耗: Insertion loss ≤0.15 dB/6GHz

产品包装方式:

- 1, PE袋套装 每包100PCS
- 2, 外箱封装 每箱2K-5K 按照实际需求来定

GENERAL TOLERANCE (UNLESS SPECIFIED)	DWN		
	CHK		
≤10 ±0.1	APVD		TITLE
<10~≤20 ±0.2	UNIT	REV	PART NO
<20~≤50 ±0.5	MM	A	SMA-KWE
Angle ±3°	SIZE	SHEET	DRAWING NO
 THIRD ANGLE	A4	1 OF 1	STA-10203