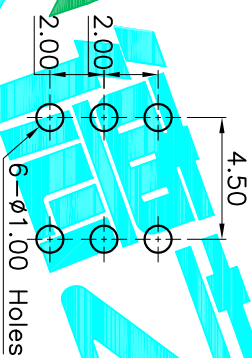
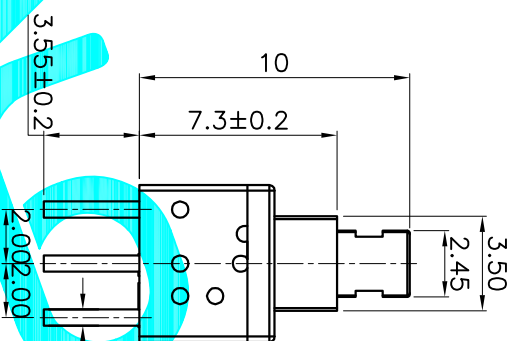
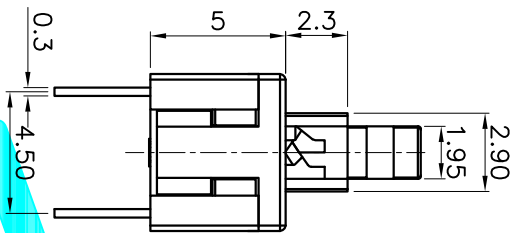
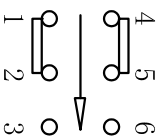
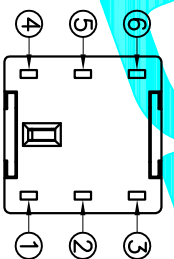


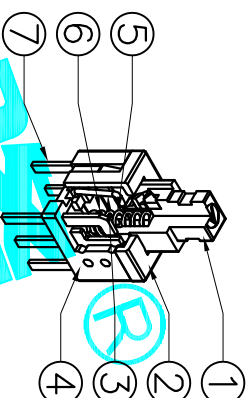
NOTE:
 1. Operating Force: 180gf±50gf
 2. Travel : 2.0±0.2mm
 Push To Lock



PCB Layout(Pattern Side)



Circuit Diagram



ITEM	PART NAME	QTY.	MATERIAL	FINISHING
⑦	Terminal	6	Brass strip	Plating silver
⑥	Contact	2	Phosphor bronze	Plating silver
⑤	Spring	1	SUS	Natural
④	Base	1	Nylon	Gray
③	Crochet Needle	1	SUS	Natural
②	Cover	1	POM	Black
①	Knob	1	POM	White

APPROVALS		DATE	TITLE:		PART NO.	SCALE:	SHEET
DRAWN	G.M.Chen	2015/4/16	ELECTRONICS CO.,LTD		PB-22E60	1:1	1 OF 1
CHECKED			PUSH SWITCH				
APPROVALS			PUSH SWITCH				
TOLEARNCES ARE		30 ^{±0.15}	±0.30	ANGLE	UNIT: mm	SCALE: 1:1	SHEET 1 OF 1
		10 ^{±0.10}	±0.20		DRAWING NO.		PROJ.
		5 ^{±0.10}	±0.15	±2°			

ECN NO.	REV.	DATE.	DESCRIPTION.	CHANGE.	CHECK.	APPRO.
	A		NEW			