

**SOT-23 Encapsulate Adjustable Reference Source**

**CJ432** Adjustable Accurate Reference Source

**DEVICE DESCRIPTION**

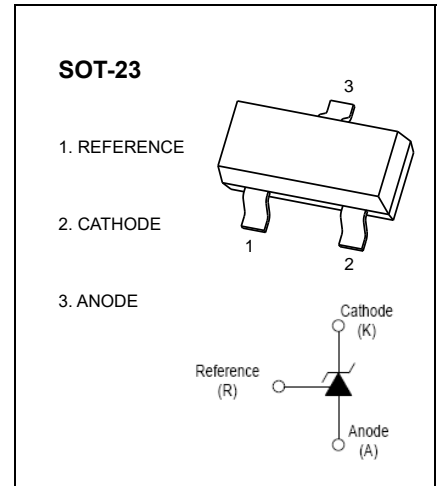
The CJ432 is a three-terminal Shunt Voltage Reference providing a highly accuracy 1.24V. The CJ432 thermal stability and wide operating current, makes is suitable for all variety of applications that are looking for a low cost solution with high performance.

**FEATURES**

- Low dynamic output impedance
- The effective temperature compensation in the working range of full temperature
- Low output noise voltage
- Fast on -state response
- Sink current capability of 0.1mA to100mA

**APPLICATION**

- Shunt Regulator
- High-Current Shunt Regulator
- Precision Current Limiter



**ABSOLUTE MAXIMUM RATINGS (Operating temperature rangeapplies unless otherwise specified)**

Parameter	Symbol	Value	Units
Cathode Voltage	$V_{KA}$	18	V
Cathode Current Range (continuous)	$I_{KA}$	100	mA
Reference Input Current Range	$I_{ref}$	6	$\mu A$
Power Dissipation	$P_D$	350	mW
Thermal Resistance from Junction to Ambient	$R_{\theta JA}$	357	$^{\circ}C/W$
Operating Junction Temperature Range	$T_J$	-40~+125	$^{\circ}C$
Storage Temperature Range	$T_{stg}$	-65~+150	$^{\circ}C$

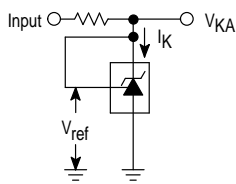
**ELECTRICAL CHARACTERISTICS (T<sub>a</sub>=25°C unless otherwise specified)**

Parameter	Symbol	Test conditions	Min	Typ	Max	Unit
Reference input voltage (Fig 1)	V <sub>ref</sub>	V <sub>KA</sub> =V <sub>REF</sub> , I <sub>KA</sub> =10mA	1.2214		1.2586	V
Deviation of reference voltage over full temperature range (Fig 1)	ΔV <sub>ref(DEV)</sub>	V <sub>KA</sub> =V <sub>REF</sub> , I <sub>KA</sub> =10mA 0°C≤T <sub>a</sub> ≤70°C			16	mV
Ratio of change in reference input voltage to the change in cathode voltage (Fig 2)	ΔV <sub>ref</sub> /ΔV <sub>KA</sub>	I <sub>KA</sub> =10mA, ΔV <sub>KA</sub> =1.25V~15V			2.4	mV/V
Deviation of reference input current over full temperature range (Fig 2)	ΔI <sub>ref</sub> /ΔT	I <sub>KA</sub> =10mA, R <sub>1</sub> =10kΩ, R <sub>2</sub> =∞, 0°C≤T <sub>a</sub> ≤70°C			0.6	μA
Minimum cathode current for regulation (Fig 1)	I <sub>KA(min)</sub>	V <sub>KA</sub> =V <sub>REF</sub>			0.1	mA
Off-state cathode current(Fig 3)	I <sub>off</sub>	V <sub>KA</sub> =15V, V <sub>REF</sub> =0			0.5	μA
Dynamic impedance	Z <sub>KA</sub>	V <sub>KA</sub> =V <sub>REF</sub> , I <sub>KA</sub> =0.1 ~20mA, f≤1.0kHz			0.5	Ω

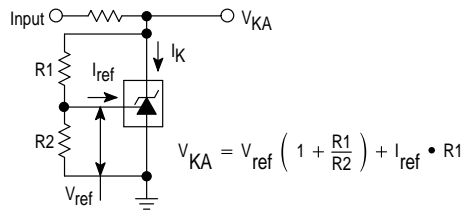
**CLASSIFICATION OF V<sub>ref</sub>**

Rank	1%	1.5%
Range	1.2276~1.2524	1.2214~1.2586

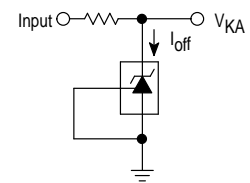
**Figure 1. Test Circuit for V<sub>KA</sub> = V<sub>ref</sub>**



**Figure 2. Test Circuit for V<sub>KA</sub> > V<sub>ref</sub>**

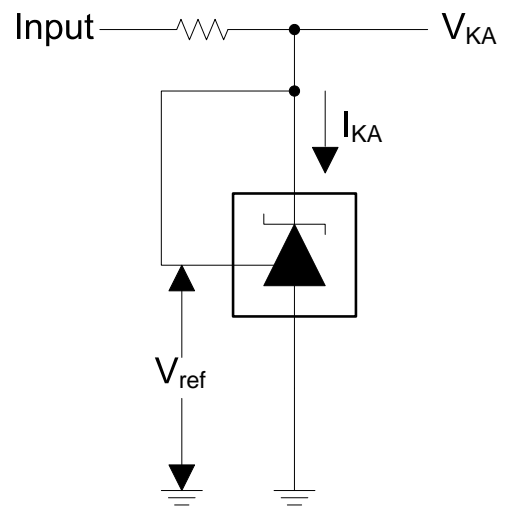
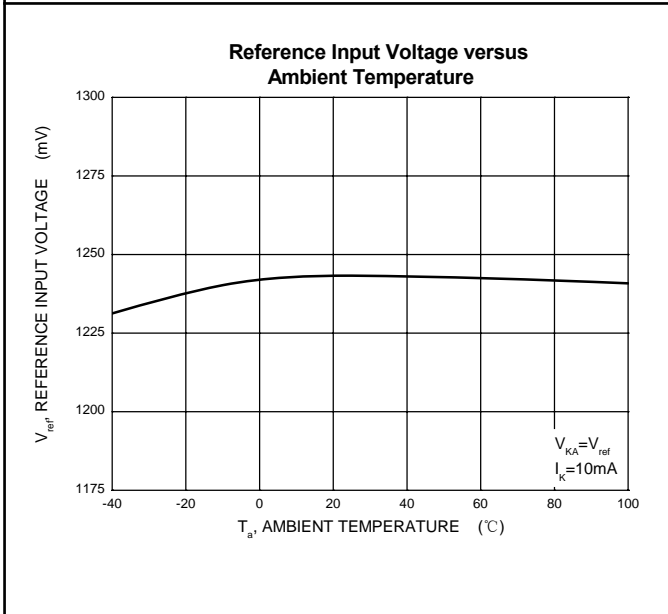
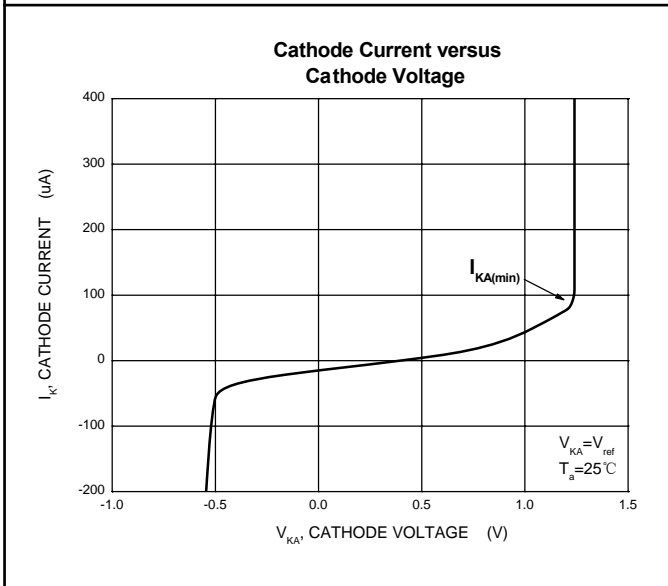
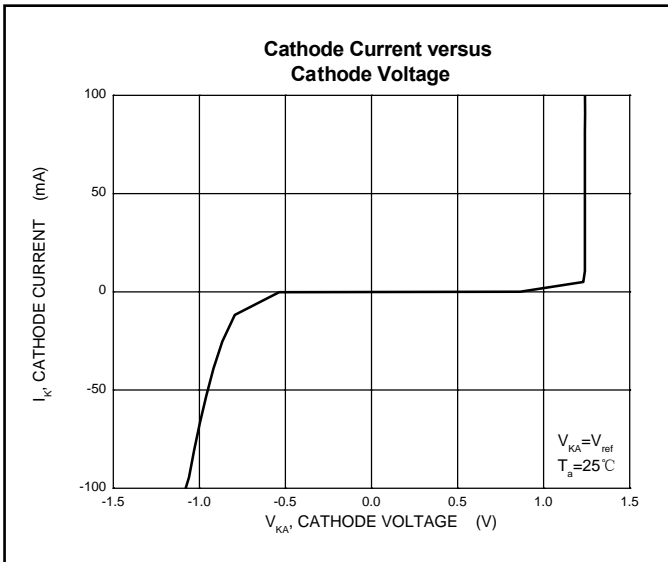


**Figure 3. Test Circuit for I<sub>off</sub>**



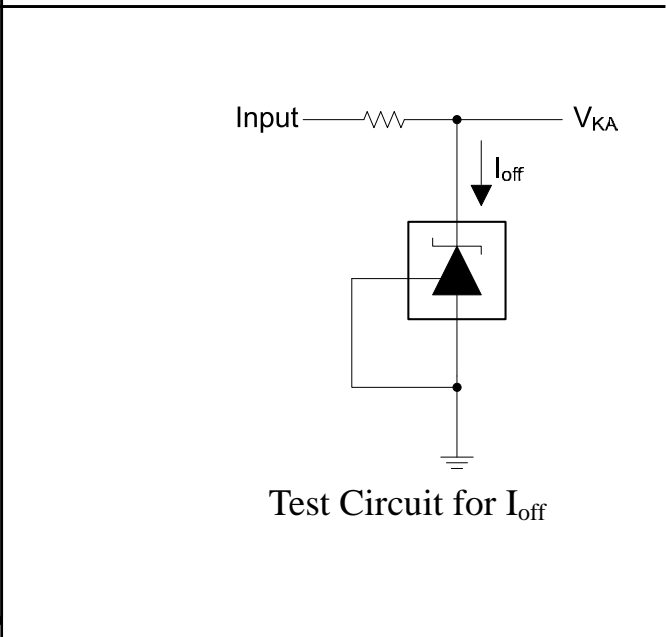
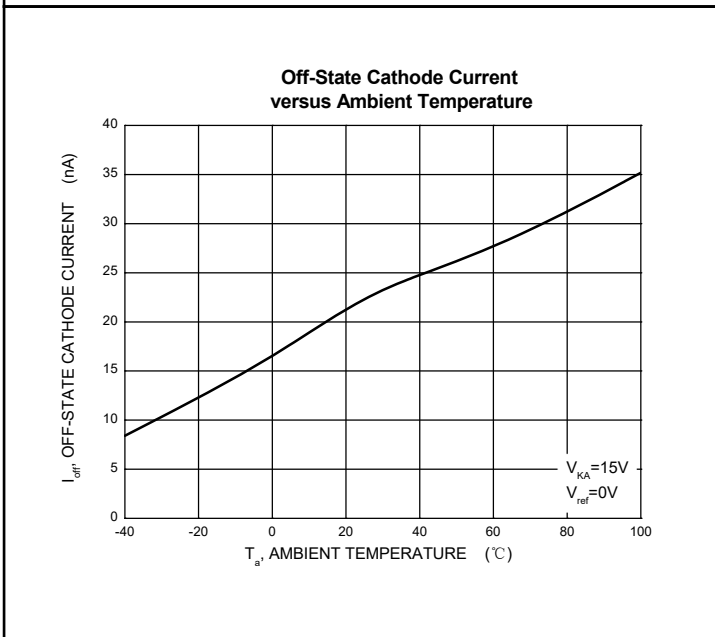
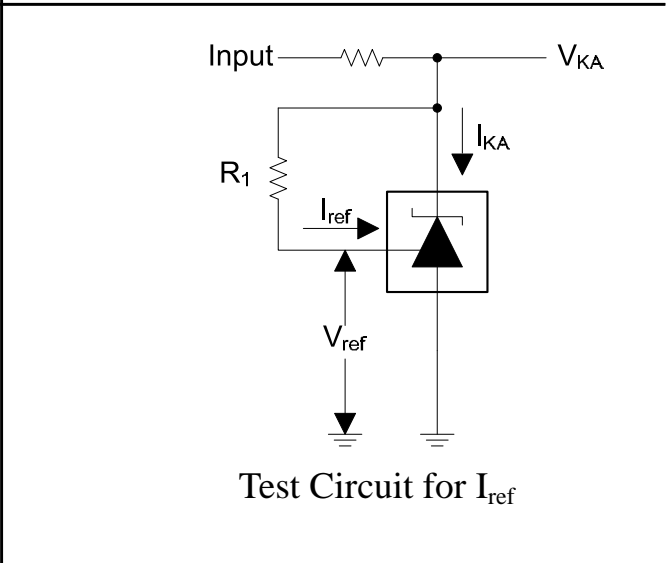
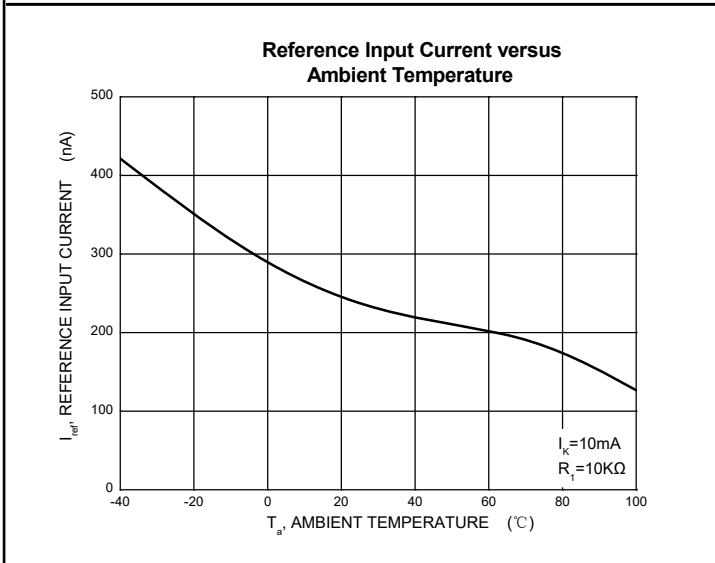
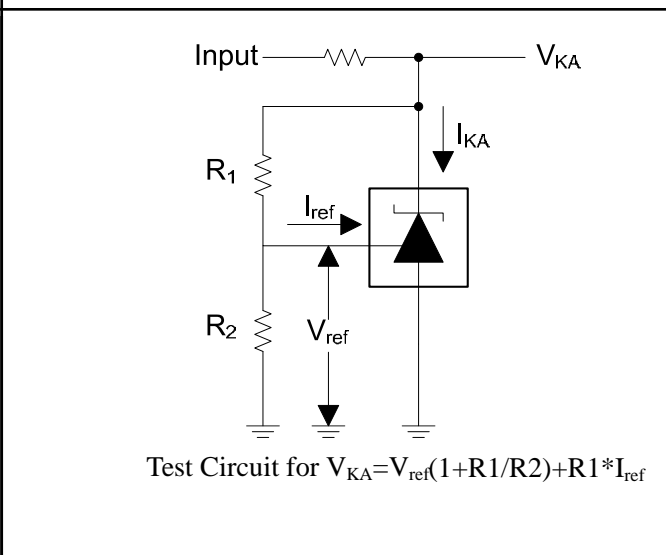
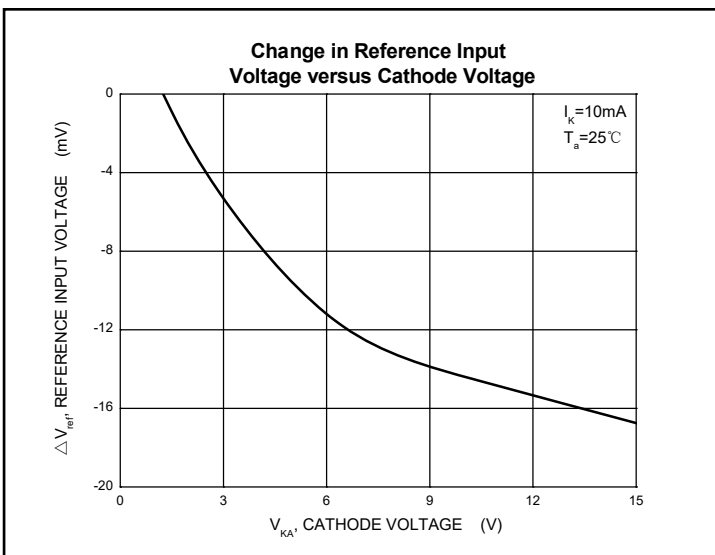
**NOTE:** It is strongly recommended to connect a capacitor(value more than 0.1μF) at the output pin to smooth the output. The capacitor should be placed as close as possible to the output pin, with the shortest path to GND.

# Typical Characteristics

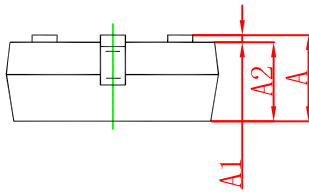
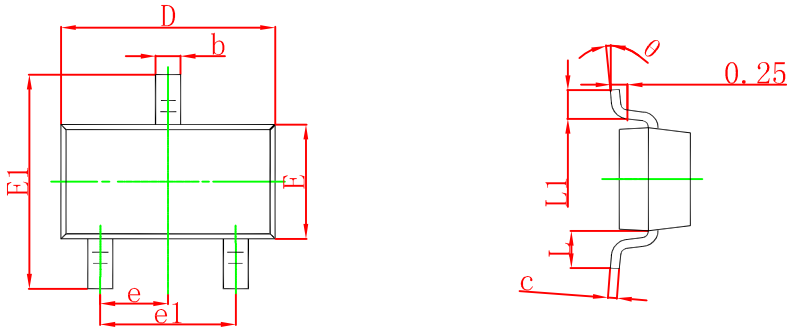


Test Circuit for  $V_{KA} = V_{ref}$

# Typical Characteristics

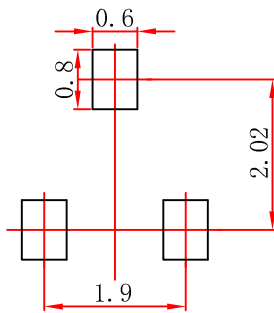


## SOT-23 Package Outline Dimensions



Symbol	Dimensions In Millimeters		Dimensions In Inches	
	Min	Max	Min	Max
A	0.900	1.150	0.035	0.045
A1	0.000	0.100	0.000	0.004
A2	0.900	1.050	0.035	0.041
b	0.300	0.500	0.012	0.020
c	0.080	0.150	0.003	0.006
D	2.800	3.000	0.110	0.118
E	1.200	1.400	0.047	0.055
E1	2.250	2.550	0.089	0.100
e	0.950 TYP		0.037 TYP	
e1	1.800	2.000	0.071	0.079
L	0.550 REF		0.022 REF	
L1	0.300	0.500	0.012	0.020
$\theta$	0°	8°	0°	8°

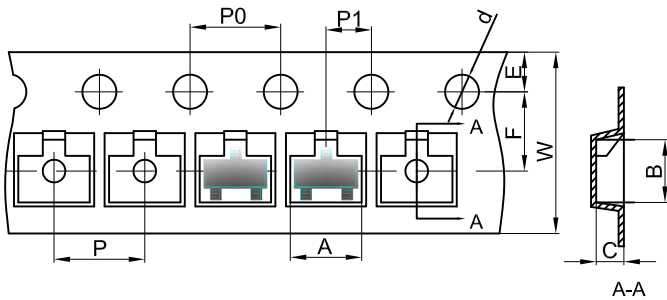
## SOT-23 Suggested Pad Layout



- Note:
1. Controlling dimension: in millimeters.
  2. General tolerance:  $\pm 0.05\text{mm}$ .
  3. The pad layout is for reference purposes only.

# SOT-23 Tape and Reel

## SOT-23 Embossed Carrier Tape



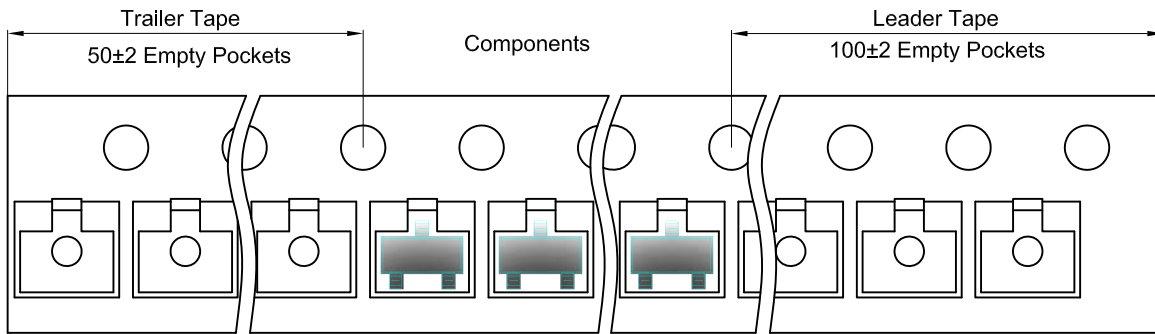
### Packaging Description:

SOT-23 parts are shipped in tape. The carrier tape is made from a dissipative (carbon filled) polycarbonate resin. The cover tape is a multilayer film (Heat Activated Adhesive in nature) primarily composed of polyester film, adhesive layer, sealant, and anti-static sprayed agent. These reeled parts in standard option are shipped with 3,000 units per 7" or 17.8cm diameter reel. The reels are clear in color and is made of polystyrene plastic (anti-static coated).

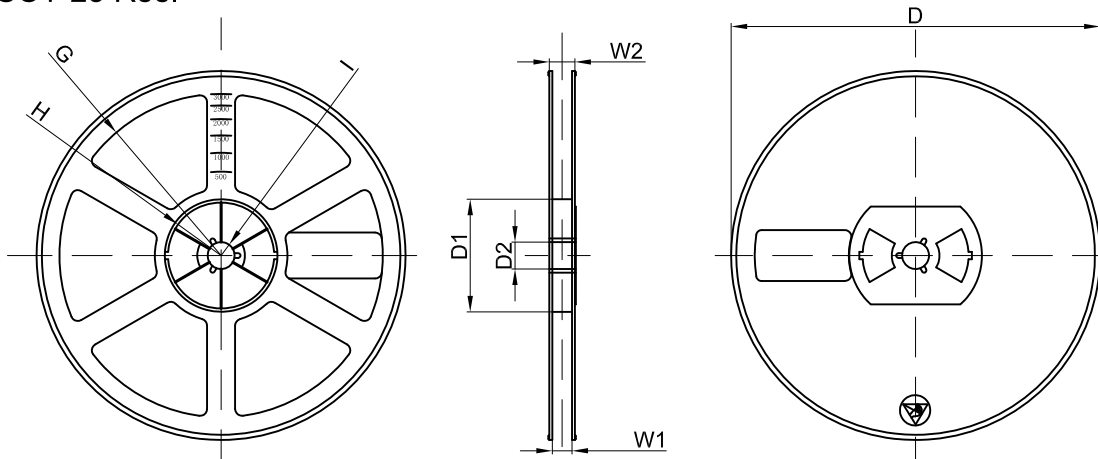
Dimensions are in millimeter

Pkg type	A	B	C	d	E	F	P0	P	P1	W
SOT-23	3.15	2.77	1.22	Ø1.50	1.75	3.50	4.00	4.00	2.00	8.00

## SOT-23 Tape Leader and Trailer



## SOT-23 Reel



Dimensions are in millimeter

Reel Option	D	D1	D2	G	H	I	W1	W2
7"Dia	Ø178.00	54.40	13.00	R78.00	R25.60	R6.50	9.50	12.30

REEL	Reel Size	Box	Box Size(mm)	Carton	Carton Size(mm)	G.W.(kg)
3000 pcs	7 inch	45,000 pcs	203×203×195	180,000 pcs	438×438×220	

# DISCLAIMER

## **IMPORTANT NOTICE, PLEASE READ CAREFULLY**

The information in this data sheet is intended to describe the operation and characteristics of our products. JSCJ has the right to make any modification, enhancement, improvement, correction or other changes to any content in this data sheet, including but not limited to specification parameters, circuit design and application information, without prior notice.

Any person who purchases or uses JSCJ products for design shall: 1. Select products suitable for circuit application and design; 2. Design, verify and test the rationality of circuit design; 3. Procedures to ensure that the design complies with relevant laws and regulations and the requirements of such laws and regulations. JSCJ makes no warranty or representation as to the accuracy or completeness of the information contained in this data sheet and assumes no responsibility for the application or use of any of the products described in this data sheet.

Without the written consent of JSCJ, this product shall not be used in occasions requiring high quality or high reliability, including but not limited to the following occasions: medical equipment, automotive electronics, military facilities and aerospace. JSCJ shall not be responsible for casualties or property losses caused by abnormal use or application of this product.

Official Website: [www.jscj-elec.com](http://www.jscj-elec.com)

Copyright © JIANGSU CHANGJING ELECTRONICS TECHNOLOGY CO., LTD.