

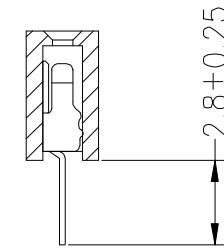
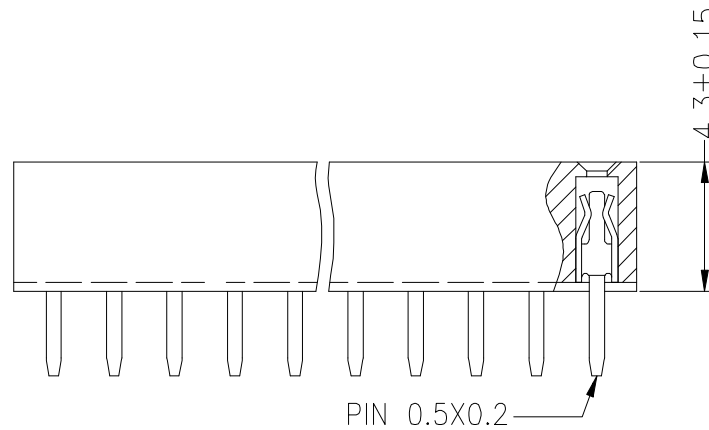
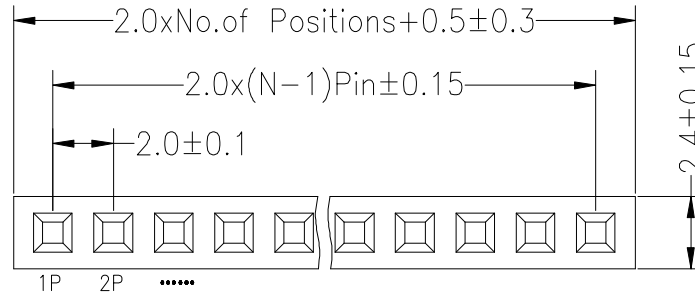
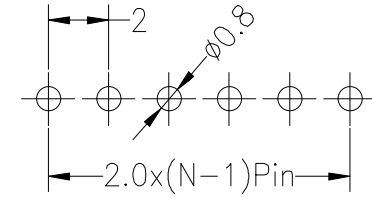


SPECIFICATIONS

Rated Current:1.5AMP
 Contact Resistance:20mΩ Max
 Withstand Voltage:500V AC/DC
 Insulation Resistance:1000MΩ Min
 Operation Temperature:-40°C to +105°C

Contact Material:Brass
 Contact Plating:Au or Sn Over Ni
 Insulator Material:Polyester(UL94V-0)
 Standard: PA6T
 Max.Processing Temp: 230°C for 30-60 seconds
 (260°C for 10 seconds)

Recommended P.C.B Layout(Top Side)
 (PCB BOARD TOLERANCE±0.05)



OPERATION

X.X	±0.30
X.XX	±0.20
X.XXX	±0.10
Angle	±3°
DIM	TOL

DRAW

CHECK

APPROVE

YiYuSheng 12.04.18

SCALE

UNIT

SIZE

SHEET

PROJ.

FIT

mm

A4

1/1

1/1

1/1

SCALE

UNIT

SIZE

SHEET

PROJ.

FIT

mm

A4

1/1

1/1

1/1

深圳市华灿天禄电子有限公司

PART NO.

PM200-1-N-Z-4.3

TITLE:

2.00PF H4.30mm 1xNpin 180°

A0	2012.04.18	NEW DRAWING							
REV	DATE	MODIFICATION DESCRIPTION		CHANGE					