

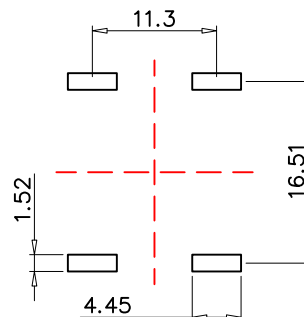
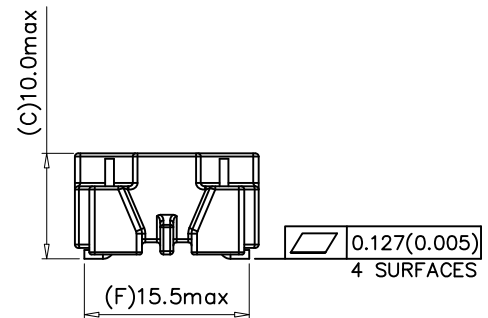
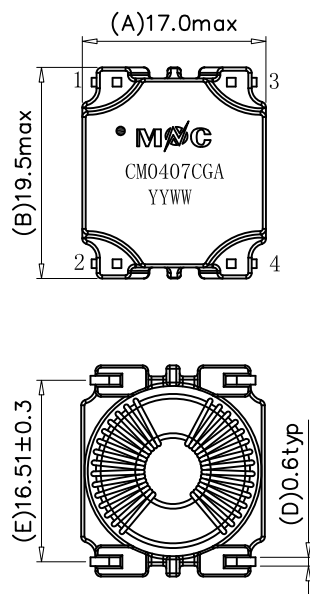
- Common mode chokes for AC Power lines
- High impedance to minimize common mode noise
- Excellent EMI performance
- Operate temperature range: -40 °C to +125 °C (Including self temperature rise)
- Storage temperature range: -40 °C to +125 °C



Electrical Specifications @25 °C

Part Number	OCL @10KHz, 0.03V	DCR	Turns Ratio	Rated Current	Hi-Pot 1mA/6S/60Hz
	1-2, 3-4	1-2, 3-4	1-2:3-4		1-2 TO 3-4
CM0407CGA	1.32mH ± 35%	60mΩ Max.	1:1 ± 3%	3.3A	1000Vac

MECHANICAL(UNIT:mm)



SUGGESTED PAD LAYOUT

SCHEMATICS

