

AMS1117

800MA Bipolar Linear Regulator

General Description

AMS1117 is a series of low dropout three-terminal regulators with a dropout of 1.3V at 800mA load current. AMS1117 features a very low standby current 2mA compared to 5mA of competitor.

Other than a fixed version, $V_{out} = 1.2V, 1.8V, 2.5V, 2.85V, 3.3V,$ and $5V,$ AMS1117 has an adjustable version, which can provide an output voltage from 1.25 to 12V with only two external resistors.

AMS1117 offers thermal shut down function, to assure the stability of chip and power system. And it uses trimming technique to guarantee output voltage accuracy within 2%. Other output voltage accuracy can be customized on demand, such as 1%.

AMS1117 is available in SOT-223, TO-252 power package.

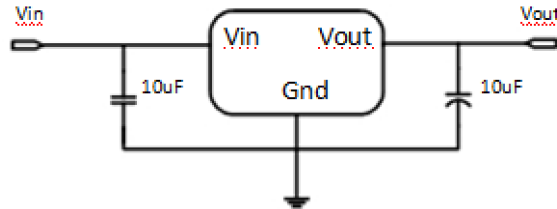
Features

- Maximum output current is 1.2A
- Range of operation input voltage: Max 15V
- Line regulation: 0.03%/V (typ.)
- Standby current: 2mA (typ.)
- Load regulation: 0.2%/A (typ.)
- Environment Temperature: $-20^{\circ}C \sim 85^{\circ}C$

Applications

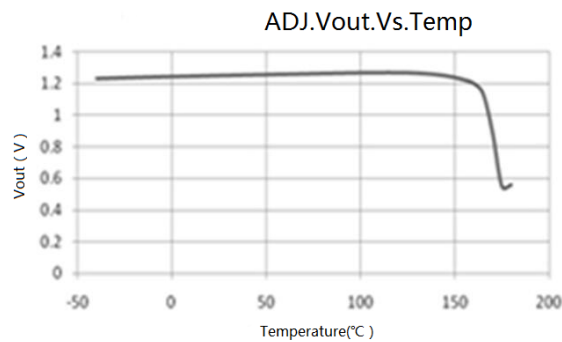
- Power Management for Computer Mother Board, Graphic Card
- LCD Monitor and LCD TV
- DVD Decode Board
- ADSL Modem
- Post Regulators For Switching Supplies

Typical Application



Application circuit of AMS1117 fixed version

Typical Electrical Characteristic



AMS1117

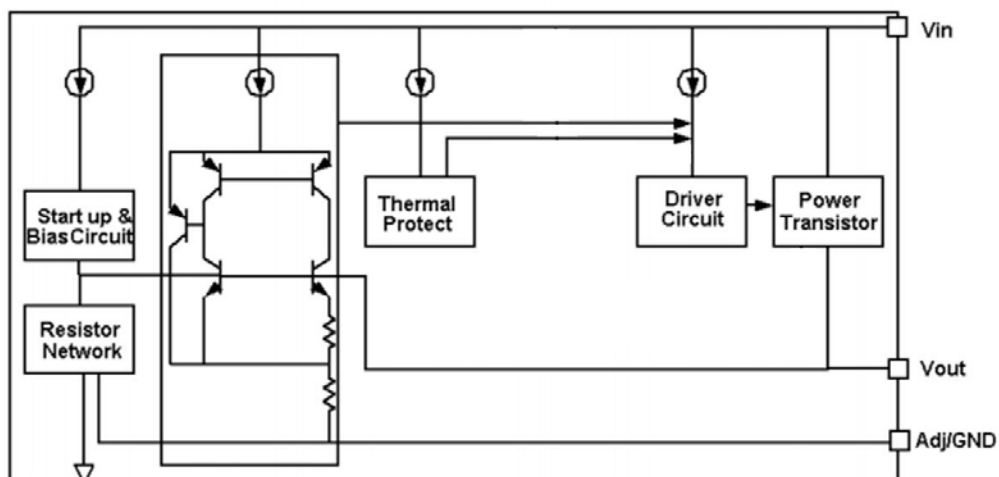
800MA Bipolar Linear Regulator

Selection Table

| Marking | Part No. | Output Voltage | Package |
|--------------------|----------|----------------|---------|
| AMS1117 XX YYWW | XX=12 | 1.2V | SOT-223 |
| | XX=18 | 1.8V | |
| | XX=28 | 2.85V | |
| | XX=25 | 2.5V | |
| | XX=33 | 3.3V | |
| | XX=50 | 5.0V | |
| | XX=AD | Adj | |

| Parameters | Description |
|--------------------|-------------------------------|
| Temperature & Rohs | C:-40~85°C ,Pb Free Rohs Std. |
| Package type | L:SOT-223 O:TO-252 |
| Packing type: | TR: Tape & Reel (Standard) |
| Voltage accuracy | 2%(Customized) |

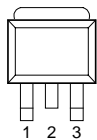
Block Diagram



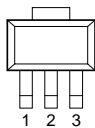
Pin Configuration

TO-252 Top View

SOT-223 Top View



1: GND/ADJ
2: VOUT
3: VIN



1: GND/ADJ
2: VOUT
3: VIN

Absolute Maximum Ratings

| | | | | | |
|---|-------|-------|-------|-----|-----------|
| Max Input Voltage | ----- | ----- | ----- | --- | - 30V |
| Max Operating Junction Temperature (Tj) | ----- | ----- | ----- | --- | - 150 |
| Ambient Temperature (Ta) | ----- | ----- | ----- | --- | -40 ~ 85 |
| Storage Temperature (Ts) | ----- | ----- | ----- | --- | -40 ~150 |
| Lead Temperature & Time | ----- | ----- | ----- | --- | - 260 10S |

Caution: Exceed these limits to damage to the device. Exposure to absolute maximum rating conditions may affect device reliability.

Recommended Work Conditions

| | | | | | |
|---|-------|-------|-------|-----|---------|
| Recommended maximum input voltage | ----- | ----- | ----- | --- | 15V |
| Recommended operating junction temperature (Tj) | ----- | ----- | ----- | --- | -20~125 |

Thermal Information

| Parameter | Package | Rating | Unit |
|----------------------------|---------|--------|------|
| Package thermal resistance | SOT-223 | 20 | °C/W |
| | TO-252 | 12.5 | °C/W |

AMS1117

800mA Bipolar Linear Regulator

Electrical Characteristics

T_A=25°C, unless otherwise noted.

| Symbol | Parameter | Condition | Min. | Typ. | Max. | Unit |
|------------------|-------------------|--|----------------|--------------|----------------|------|
| V _{ref} | Reference voltage | I _{out} =10mA, V _{in} -V _{out} =2V 10mA ≤ I _{out} ≤ 1A, 1.5V ≤ V _{in} -V _{out} ≤ 12V | 1.238 1.225 | 1.25 1.25 | 1.262 1.275 | V |
| V _{out} | Output voltage | AMS1117-1.8V I _{out} =10mA, V _{in} =3.8V, T _j =25°C 0 ≤ I _{out} ≤ 800mA, 3.2V ≤ V _{in} ≤ 12V | 1.782 1.764 | 1.80 1.80 | 1.818 1.836 | V |
| | | AMS1117-2.5V I _{out} =10mA, V _{in} =4.5V, T _j =25°C 0 ≤ I _{out} ≤ 800mA, 3.9V ≤ V _{in} ≤ 12V | 2.475 2.45 | 2.5 2.5 | 2.525 2.55 | V |
| | | AMS1117-2.85V I _{out} =10mA, V _{in} =4.85V, T _j =25°C 0 ≤ I _{out} ≤ 800mA, 4.25V ≤ V _{in} ≤ 12V | 2.822 2.793 | 2.85 2.85 | 2.878 2.907 | V |
| | | AMS1117-3.3V I _{out} =10mA, V _{in} =5V, T _j =25°C 0 ≤ I _{out} ≤ 800mA, 4.75V ≤ V _{in} ≤ 12V | 3.267 3.234 | 3.3 3.3 | 3.333 3.366 | V |
| | | AMS1117-5.0V I _{out} =10mA, V _{in} =7V, T _j =25°C 0 ≤ I _{out} ≤ 800mA, 6.5V ≤ V _{in} ≤ 12V | 4.95 4.9 | 5 5 | 5.05 5.1 | V |

| | | | | | | |
|-------------------|-------------------------|---|--|-------|-----|----|
| ΔV _{out} | Line regulation (note1) | AMS1117-ADJ I _{out} =10mA, 1.5V ≤ V _{in} -V _{out} ≤ 13.775V | | 0.035 | 0.2 | % |
| | | AMS1117-1.8V I _{out} =10mA, 3.2V ≤ V _{in} ≤ 15V | | 9 | 18 | mV |
| | | AMS1117-2.5V I _{out} =10mA, 3.9V ≤ V _{in} ≤ 15V | | 9 | 18 | mV |
| | | AMS1117-2.85V I _{out} =10mA, 4.25V ≤ V _{in} ≤ 15V | | 9 | 18 | mV |
| | | AMS1117-3.3V I _{out} =10mA, 4.75V ≤ V _{in} ≤ 15V | | 9 | 18 | mV |
| | | AMS1117-5.0V I _{out} =10mA, 6.5V ≤ V _{in} ≤ 15V | | 9 | 18 | mV |

AMS1117

800MA Bipolar Linear Regulator

| | | | | | | |
|------------------|----------------------|---|--|------|-----|----|
| ΔV_{out} | Load regulation | AMS1117-2.5V $V_{in}=3.9V, 10mA \leq I_{out} \leq 800mA$ | | 3 | 18 | mV |
| | | AMS1117-2.85V $V_{in}=4.25V, 0 \leq I_{out} \leq 800mA$ | | 3 | 18 | mV |
| | | AMS1117-3.3 $V_{in}=4.75V, 0 \leq I_{out} \leq 800mA$ | | 3 | 18 | mV |
| | | AMS1117-5.0 $V_{in}=6.5V, 0 \leq I_{out} \leq 800mA$ | | 3 | 18 | mV |
| Vdrop | Dropout voltage | $I_{out}=100mA$ | | 1.11 | 1.3 | V |
| | | $I_{out}=500mA$ | | 1.18 | 1.4 | V |
| Imin | Minimum load current | AMS1117-ADJ | | 5 | 10 | mA |
| Iq | Quiescent Current | AMS1117-1.8V, $V_{in}-V_{out}=1.25V$ | | 4 | 8 | mA |
| | | AMS1117-2.5V, $V_{in}-V_{out}=1.25V$ | | 4 | 8 | mA |
| | | AMS1117-2.85V, $V_{in}-V_{out}=1.25V$ | | 4 | 8 | mA |
| | | AMS1117-3.3V, $V_{in}-V_{out}=1.25V$ | | 4 | 8 | mA |
| | | AMS1117-5.0V, $V_{in}-V_{out}=1.25V$ | | 4 | 8 | mA |

| | | | | | | |
|---------------|---|--|--|-----|-----|-----------------|
| IAdj | Adjust Pin Current (Adjustable Version) | | | 55 | 120 | uA |
| Ichange | Adjust Pin Current Change | | | 0.2 | 10 | uA |
| | Temperature Stability | | | | 0.5 | % |
| θ_{JC} | Thermal resistor | | | 20 | | $^{\circ}C / W$ |

Note1: All test are conducted under ambient temperature 25° C and within a short period of time 20ms

Note2: Load current smaller than minimum load current ofAMS1117-ADJ will lead to unstable or oscillation output.

AMS1117

800MA Bipolar Linear Regulator

Detailed Description

AMS1117 is a series of low dropout voltage, three terminal regulators. Its application circuit is very simple: the fixed version only needs two capacitors and the adjustable version only needs two resistors and two capacitors to work. It is composed of some modules including start-up circuit, bias circuit, bandgap, thermal shutdown, power transistors and its driver circuit and so on.

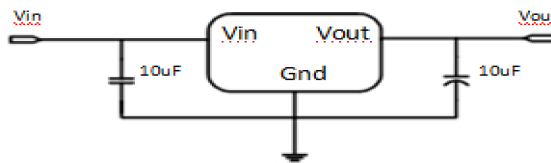
The thermal shut down modules can assure chip and its application system working safety when the junction temperature is larger than 140°C.

The bandgap module provides stable reference voltage, whose temperature coefficient is compensated by careful design considerations. The temperature coefficient is under 100 ppm/°C. And the accuracy of output voltage is guaranteed by trimming technique.

Typical Application

has an adjustable version and six fixed versions (1.2V, 1.8V, 2.5V, 2.85V , 3.3V and 5V)

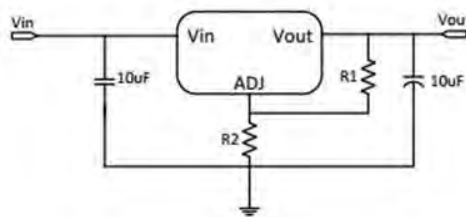
Fixed Output Voltage Version



Application circuit of AMS1117 fixed version

- 1) Recommend using 10uF tan capacitor as bypass capacitor (C1) for all application circuit.
- 2) Recommend using 10uF tan capacitor to assure circuit stability.

Adjustable Output Voltage Version



Application Circuit of AMS1117-ADJ

The output voltage of adjustable version follows the equation: $V_{out} = 1.25 \times (1 + R_2/R_1) + I_{Adj} \times R_2$. We can ignore I_{Adj} because I_{Adj} (about 50uA) is much less than the current of R_1 (about 2~10mA).

1) To meet the minimum load current (>10mA) requirement, R_1 is recommended to be 125ohm or lower. As AMS1117ADJ can keep itself stable at load current about 2mA, R_1 is not allowed to be higher than 625ohm.

2) Using a bypass capacitor (C_{ADJ}) between the ADJ pin and ground can improve ripple rejection. This bypass capacitor prevents ripple from being amplified as the output voltage is increased. The impedance of C_{ADJ} should be less than R_1 to prevent ripple from being amplified. As R_1 is normally in the range of 100Ω~500Ω, the value of C_{ADJ} should satisfy this equation: $1/(2\pi \times f_{ripple} \times C_{ADJ}) < R_1$.

AMS1117

800MA Bipolar Linear Regulator

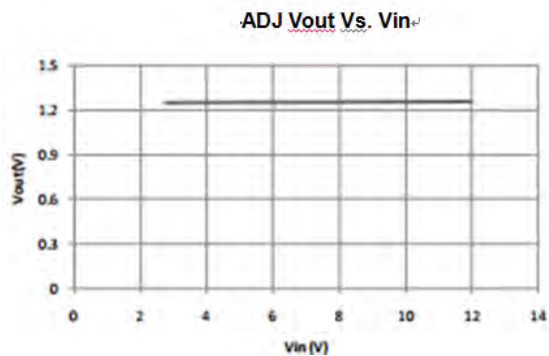
Thermal Considerations

We have to take heat dissipation into great consideration when output current or differential voltage of input and output voltage is large. Because in such cases, the power dissipation consumed by AMS1117 is very large. AMS1117 series uses SOT-223 package type and its thermal resistance is about 20°C/W. And the copper area of application board can affect the total thermal resistance. If copper area is 5cm*5cm (two sides), the resistance is about 30°C/W. So the total thermal resistance is about 20°C/W + 30°C/W. We can decrease total thermal resistance by increasing copper area in application board. When there is no good heat dissipation copper area in PCB, the total thermal resistance will be as high as 120°C/W, then the power dissipation of AMS1117 could allow on itself is less than 1W. And furthermore, AMS1117 will work at junction temperature higher than 125°C under such condition and no lifetime is guaranteed.

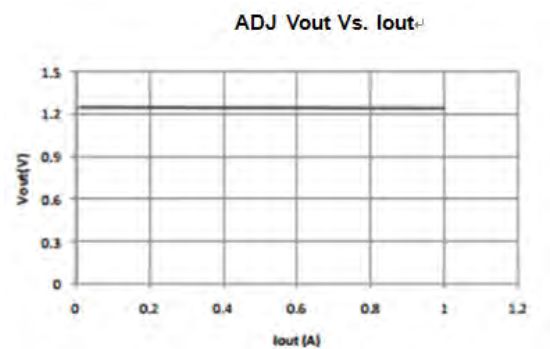
Typical Performance Characteristics

T_A=25°C, unless otherwise noted.

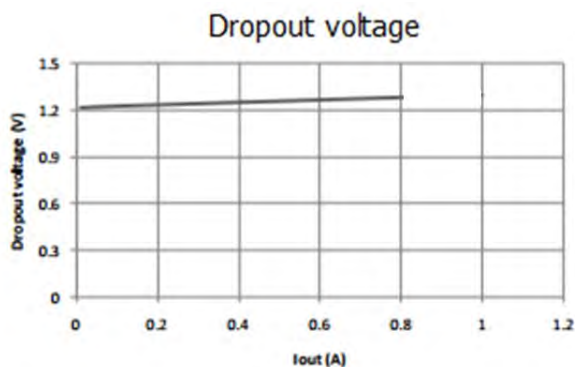
Line regulation



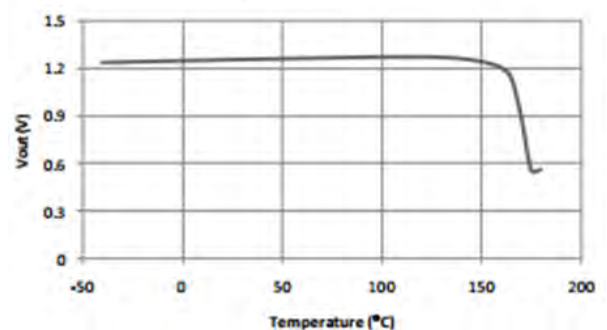
Load regulation



Dropout voltage

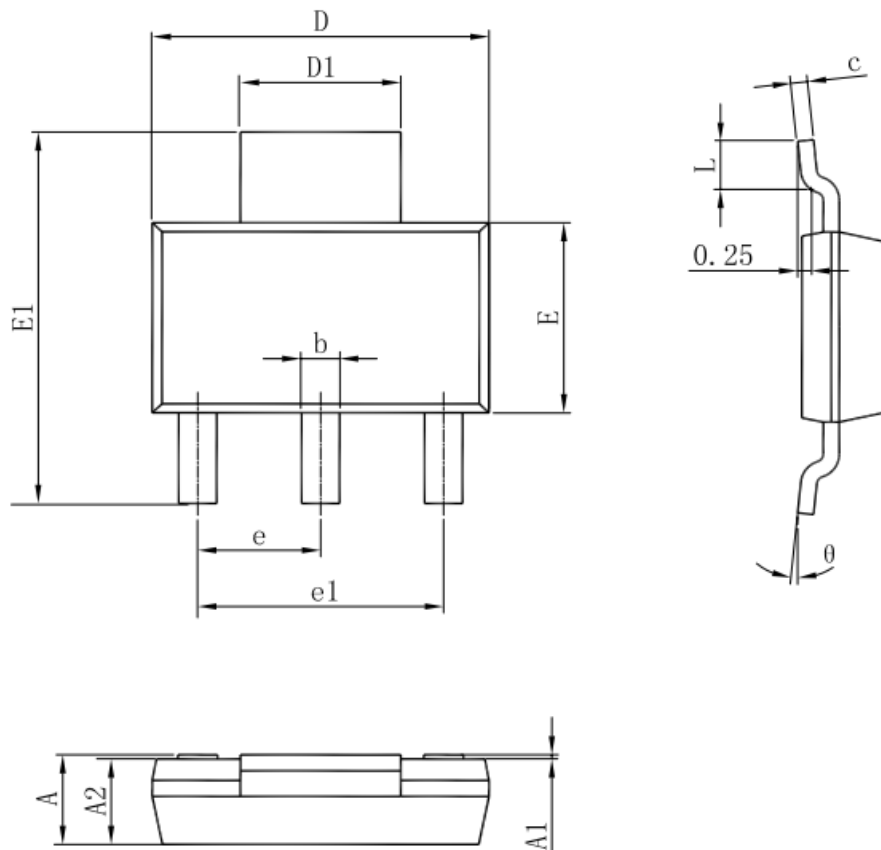


Thermal performance with OTP



Package Information

SOT-223 PACKAGE OUTLINE DIMENSIONS



| Symbol | Dimensions In Millimeters | | Dimensions In Inches | |
|--------|---------------------------|-------|----------------------|-------|
| | Min | Max | Min | Max |
| A | 1.520 | 1.800 | 0.060 | 0.071 |
| A1 | 0.000 | 0.100 | 0.000 | 0.004 |
| A2 | 1.500 | 1.700 | 0.059 | 0.067 |
| b | 0.660 | 0.820 | 0.026 | 0.032 |
| c | 0.250 | 0.350 | 0.010 | 0.014 |
| D | 6.200 | 6.400 | 0.244 | 0.252 |
| D1 | 2.900 | 3.100 | 0.114 | 0.122 |
| E | 3.300 | 3.700 | 0.130 | 0.146 |
| E1 | 6.830 | 7.070 | 0.269 | 0.278 |
| e | 2.300(BSC) | | 0.091(BSC) | |
| e1 | 4.500 | 4.700 | 0.177 | 0.185 |
| L | 0.900 | 1.150 | 0.035 | 0.045 |
| theta | 0° | 10° | 0° | 10° |

AMS1117

800MA Bipolar Linear Regulator

TO-252-2L PACKAGE OUTLINE DIMENSIONS

